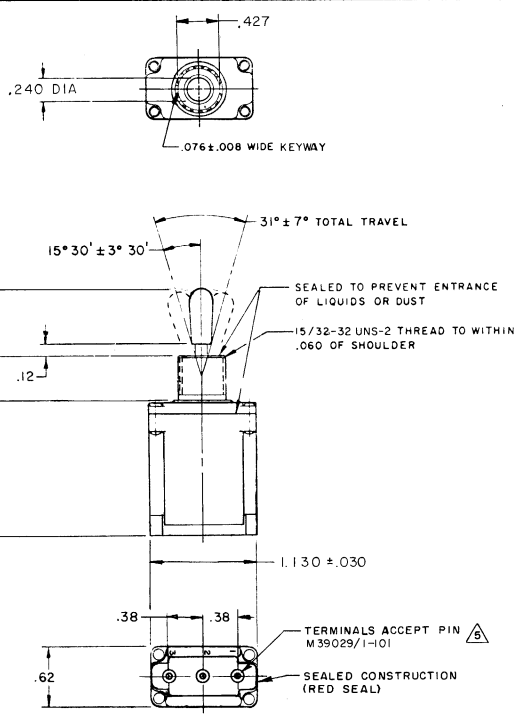
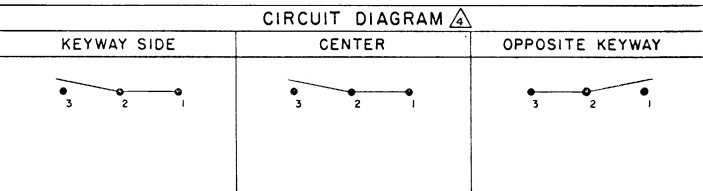
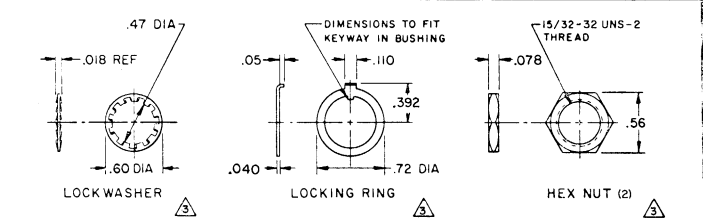


MICRO SWITCH  
 FREEPORT ILLINOIS U.S.A.  
 A DIVISION OF HONEYWELL  
 FED. MFG. CODE 91229  
 CATALOG LISTING  
 SWITCH-TOGGLE  
 10ITL2 SERIES  
 CHART 1  
 THIS DRAWING COVERS A PROPRIETARY ITEM AND IS THE PROPERTY OF MICRO SWITCH, A DIVISION OF MINNEAPOLIS-HONEYWELL REGULATOR CO. THIS DRAWING IS NOT TO BE COPIED OR USED WITHOUT THE APPROVAL OF MICRO SWITCH.  
 CATALOG LISTING  
 10ITL2 SERIES CHART 1  
 PAGE 1 OF 1  
 REVISIONS  
 A 10092297  
 16 FEB 98  
 M B S 126 SEP 83  
 FORMITEK



SCALE FULL	
DO NOT SCALE PRINT	
UNLESS OTHERWISE NOTED	
DIMENSIONS ARE IN INCHES	
TOLERANCES ARE:	
ONE PLACE (.01)	±.010
TWO PLACE (.001)	±.005
THREE PLACE (.000)	±.002
ANGLES	±
WEIGHT .09 LB MAX	

CAT. LIST.	CIRCUIT WITH TOGGLE IN			CURRENT CAPACITY (AMPS)								REL. NO.	MS NUMBER		
	EXTREME POSITION KEYWAY SIDE	CENTER	EXTREME POSITION OPPOSITE KEYWAY	RESISTIVE LOAD		LAMP LOAD		INDUCTIVE LOAD							
				DC VOLTS	AC VOLTS	30 VOC	115 VAC	30 VOC	115 VAC						
10ITL2-1	ON	OFF	ON									PR-1498	MS27784-21		
10ITL2-2	OFF	NONE	ON									PR-4428	MS27784-22		
10ITL2-3	ON	NONE	ON									PR-4428	MS27784-23		
10ITL2-21	NONE	OFF	ON	7.5	.75	5	7.5	6	5	3	7.5	7.5	PR-3341	MS27784-24	
10ITL2-31	NONE	ON	ON											MS27784-33	
10ITL2-4	MOM OFF	NONE	ON											MS27784-29	
10ITL2-5	MOM ON	OFF	ON											PR-4153	MS27784-31
10ITL2-6	MOM ON	NONE	OFF											MS27784-30	
10ITL2-7	MOM ON	OFF	MOM ON											PR-4428	MS27784-27
10ITL2-8	MOM ON	NONE	ON											PR-4626	MS27784-26
10ITL2-51	NONE	ON	MOM ON	7.5	.75	.5	7.5	6	4	2	7.5	7.5		MS27784-25	
10ITL2-61	MOM ON	OFF	NONE											PR-3656	MS27784-32
															MS27784-28



NOTES

- SWITCHES ARE CAPABLE OF WITHSTANDING A TEMPERATURE OF 160°F. CONTINUOUSLY AT FULL RATED LOAD
- CIRCUIT DESIGNATION, MICRO SWITCH CATALOG LISTING, DATE CODE AND MS NUMBER IDENTIFIED ON SIDE OF SWITCH FURNISHED UNASSEMBLED
- CIRCUIT DIAGRAMS APPLY TO "ON" AND "MOM ON" POSITIONS THE SEALING GROMMET SHALL SEAL ON A SMOOTH WIRE INSULATION OF .040 TO .083 DIAMETERS (16-20 GAGE)
- UNUSED TERMINAL HOLES MAY BE SEALED WITH PLUGS M83723/28-20
- THESE UNITS ARE QUALIFIED UNDER MIL-S-3950