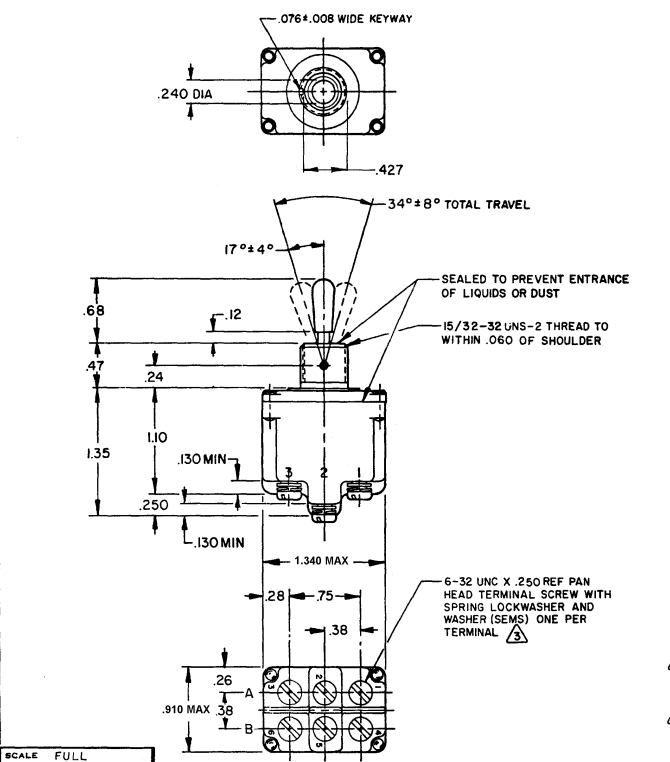


MICRO SWITCH
 FREEPORT, ILLINOIS, U.S.A.
 A DIVISION OF HONEYWELL
 FED. REG. CODE #1925

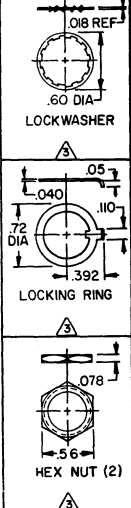
SWITCH-TOGGLE

CATALOG LISTING
2TL11 SERIES
CHART 1

THIS DRAWING COVERS A PROPRIETARY ITEM AND IS THE PROPERTY OF MICRO SWITCH, A DIVISION OF HONEYWELL. THIS DRAWING IS NOT TO BE COPIED OR USED WITHOUT THE APPROVAL OF MICRO SWITCH.



CATALOG LISTING	CIRCUIT MADE WITH TOGGLE LEVER IN			CURRENT CAPACITY (AMPS)								
	KEYWAY SIDE (1-2,4-5)	CENTER (1-2,4-5)	OPPOSITE KEYWAY (2-3,5-6)	RESISTIVE LOAD				LAMP LOAD				
				DC VOLTS	AC VOLTS	AC VOLTS	AC VOLTS	28 VDC	125 VAC	28 VDC	125 VAC	
2TL11-1	ON	OFF	ON	20	.75	.5	15	6	7	4	15	15
2TL11-2	OFF	NONE	ON									
2TL11-3	ON	NONE	ON									
2TL11-21	NONE	OFF	ON									
ⓐ	NONE	ON	ON									
ⓑ	MOM OFF	NONE	ON									
2TL11-5	MOM ON	OFF	ON									
2TL11-6	MOM ON	NONE	OFF									
2TL11-7	MOM ON	OFF	MOM ON	18	.75	.5	11	6	5	2	10	8
2TL11-8	MOM ON	NONE	ON									
ⓑ	NONE	ON	MOM ON									
ⓐ	MOM ON	OFF	NONE									
2TL11-82	ON	NONE	MOM ON									



NOTES
 1 - SWITCHES ARE CAPABLE OF WITHSTANDING A TEMPERATURE OF 160°F CONTINUOUSLY AT FULL RATED LOAD
 2 - POLE, CIRCUIT DESIGNATION, AND MICRO SWITCH CATALOG LISTING MARKED ON SIDE OF SWITCH
 ⓐ FURNISHED UNASSEMBLED
 4 - FOR TERMINAL COVER SEE MICRO SWITCH CATALOG LISTING 5PA8
 ⓑ APPLIES ONLY TO "ON" AND "MOMENTARY ON" POSITIONS

CATALOG LISTING
2TL11 SERIES CHART 1
 ISSUE **16 M**
 06 FEB 04
 REVISIONS:
 A (035421) L.S.D. 26 JUN 77
 B (049070) C.D. 16 MAY 81
 C (05498) L.S.D. 13 NOV 81
 D (05978) S.B. 11 FEB 82
 E (07042) L.S.D. 23 AUG 92
 F (08507) L.S.D. 18 NOV 98
 G (203650) L.S.D. 27 JUN 01
 H (000301) L.S.D. 05 FEB 04
 RASTER
 DRAWN: L.S.D. 28 JUN 77
 CHECKED: C.H. 1-7-77
 APPROVED: L.S.D. 05 FEB 04
 WEIGHT: .12 LB APPROX

SCALE FULL
 DO NOT SCALE PRINT
 UNLESS OTHERWISE NOTED
 DIMENSIONS ARE IN INCHES
TOLERANCES ARE:
 ONE PLACE (.0) ±.030
 TWO PLACE (.00) ±.018
 THREE PLACE (.000) ±.008
 ANGLES ±.008
 WEIGHT: .12 LB APPROX