

DRAWING NUMBER
M 12TW8 SERIES CHART 1
 PAGE 1 OF 1
 ISSUE
8

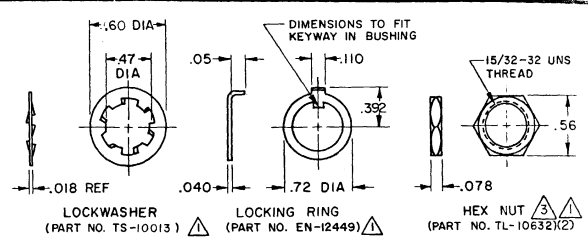
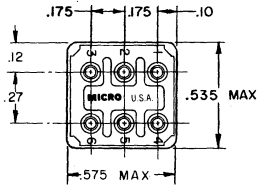
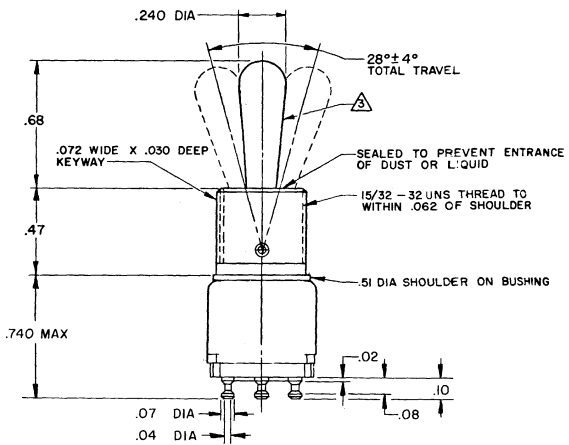
REVISIONS
 A CORR
 B JUN 73
 C PR-4003
 D PR-4003
 E DEC 74
 F DEC 74
 G 05050565
 H 03
 I DEC 81
 J 0061252
 K J.A.P.
 L MAR 83
 M 0061838
 N T.S.
 O 22 JUL 87
 P 0062939
 Q 03
 R 24 FEB 98
 S 03
 T 17
 U 13 MAY 99

FORMTEK
 FD-9374-003
 DRAWN
 D B W 11 APR 73
 CHECK
 D B W 11 APR 73

MICRO SWITCH
 FREEPORT, ILLINOIS, U.S.A.
 A DIVISION OF HONEYWELL
 FED. MFG. CODE 9132B

SWITCH - TOGGLE

CATALOG LISTING
12TW8 SERIES
CHART 1



CIRCUIT WITH TOGGLE IN

CATALOG LISTING	ONE EXTREME POSITION (KEYWAY)		CENTER POSITION	OTHER EXTREME POSITION (OPPOSITE KEYWAY)	
	2-1	5-4		2-3	5-6
12TW8-1	ON		OFF		ON
12TW8-2	OFF		NONE		ON
12TW8-3	ON		NONE		ON
Ⓞ	MOM ON		OFF		ON
12TW8-7	MOM ON		OFF		MOM ON
12TW8-8	MOM ON		NONE		ON

NOTE -
 1 - FURNISHED UNASSEMBLED
 2 - TERMINALS ARE PLATED FOR SOLDERING
 3 - MATTE FINISH
 4 - GOLD PLATED CONTACTS

THIS DRAWING COVERS A PROPRIETARY ITEM AND IS THE PROPERTY OF MICRO SWITCH, A DIVISION OF MINNEAPOLIS-HONEYWELL REGULATOR CO. THIS DRAWING IS NOT TO BE COPIED OR USED WITHOUT THE APPROVAL OF MICRO SWITCH.

CHARACTERISTICS	ELECTRICAL DATA	SCALE 2 TO 1
	CONTACT ARRANGEMENT -L117- 5A-125 VAC 	DO NOT SCALE PRINT UNLESS OTHERWISE NOTED DIMENSIONS ARE IN INCHES TOLERANCES ARE: ONE PLACE (.01) ±.030 TWO PLACE (.001) ±.015 THREE PLACE (.0003) ±.008 ANGLES ±
		WEIGHT .025 LB MAX