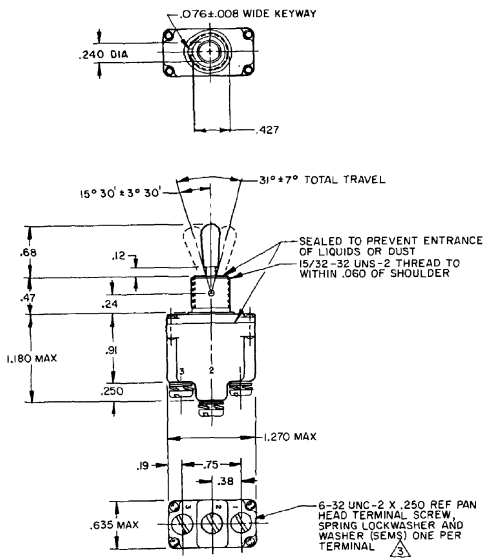
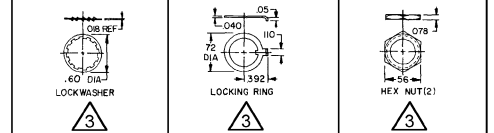


FO-55111-A
 HONEYWELL
 PART NUMBER
 1TL11.SERIES.CHART 1

REV	DOCUMENT	CHANGED BY	CHECK
20	0008574	KR 20OCT04	AK
21	0012945	DS	PH



FAA-PMA LISTINGS (B)(7)	CATALOG LISTING	CIRCUIT MADE WITH TOGGLE LEVER IN			CURRENT CAPACITY (AMPS)							
		KEYWAY SIDE (1-2)	CENTER (1-2)	OPPOSITE KEYWAY (2-3)	DC VOLTS	RESISTIVE LOAD	AC VOLTS	INDUSTRIAL LOAD	DC VDC	RES	VDC	RES
	ITL11-1	ON	OFF	ON								
	ITL11-2	OFF	NONE	ON								
FAA-PMA	ITL11-3	ON	NONE	ON	20	75	5	15	6	5	3	15
	ITL11-21	NONE	OFF	ON								
	ITL11-31	NONE	ON	ON								
	ITL11-4	MOM OFF	NONE	ON								
	ITL11-5	MOM ON	OFF	ON								
	ITL11-6	MOM ON	NONE	OFF								
	ITL11-7	MOM ON	OFF	MOM ON								
	ITL11-8	MOM ON	NONE	ON	15	75	5	15	6	4	2	10
	ITL11-82	ON	NONE	MOM ON								



- NOTES
- SWITCHES ARE CAPABLE OF WITHSTANDING A TEMPERATURE OF 160°F CONTINUOUSLY AT FULL RATED LOAD
 - POLE, CIRCUIT DESIGNATION AND MICRO SWITCH CATALOG LISTING MARKED ON SIDE OF SWITCH
 - FURNISHED UNASSEMBLED
 - FOR TERMINAL COVER, SEE MICRO SWITCH CATALOG LISTING 5E7
 - APPLIES ONLY TO "ON" AND "MOMENTARY ON" POSITIONS
 - FAA-PMA MUST BE MARKED ON SWITCH
 - FOR MANUFACTURING DETAIL SEE THE CORRESPONDING ASSEMBLY DRAWING FOR EACH LISTING FOR FAA-PMA
 - WEIGHT .07 LBS APPROX

DESIGN UNITS: INCH TOLERANCES UNLESS NOTED:	DRAWN JAF CHECK -	29JUN94	Honeywell TITLE SWITCH - TOGGLE	
NO PLACE X ± 0.049 ONE PLACE .X ± 0.030 TWO PLACE .XX ± 0.015 THREE PLACE .XXX ± 0.005 FOUR PLACE .XXXX ± 0.0005 ANGLES ± 3	THIS DRAWING COVERS A PROPRIETARY ITEM AND IS THE PROPERTY OF HONEYWELL. THIS DRAWING IS NOT TO BE COPIED OR USED WITHOUT THE PERMISSION OF HONEYWELL.			
THIRD ANGLE PROJECTION	INTERPRET PER ASME Y14.5M-1994 OTHER HONEYWELL ENGINEERING STANDARDS MAY APPLY		DRAWING NAME	
	RASTER		1TL11.SERIES.CHART 1	
			SCALE 1:1	REV 21
			SHEET 1 OF 1	