

CATALOG LISTING  
11TW8 SERIES CHART 1

ISSUE 10  
DRAWING NUMBER  
PAGE 1 OF 1

REVISIONS  
A NEW DESIGN  
26 JUN 87  
B 0205065  
12 DEC 81  
C 0061032  
16 MAR 87  
D 0061039  
24 FEB 88  
E 95308  
9 NOV 99

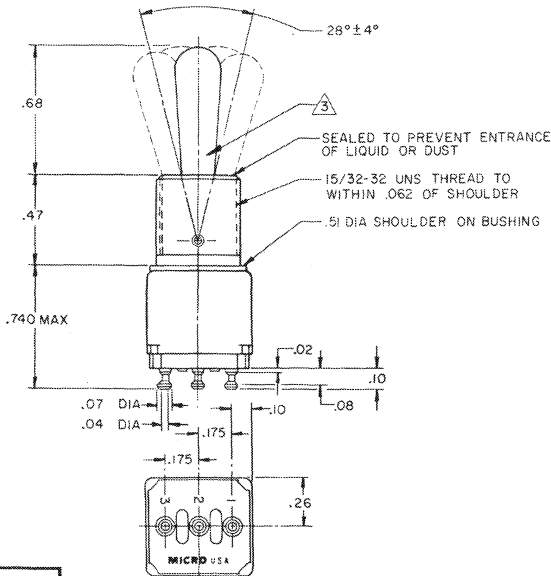
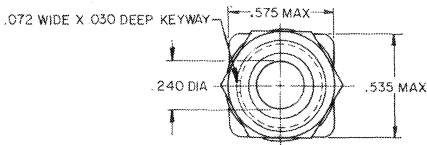
FORMTEK  
DRAWN  
26 JUN 90  
CHECKED  
27 JUN 90

**MICRO SWITCH**  
FREEPORT ILLINOIS U.S.A.  
A DIVISION OF HONEYWELL  
REG. MFG. CODE 91289

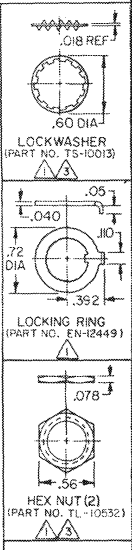
SWITCH-TOGGLE

CATALOG LISTING  
11TW8 SERIES  
CHART 1

THIS DRAWING COVERS A PROPRIETARY ITEM AND IS THE PROPERTY OF MICRO SWITCH, A DIVISION OF HONEYWELL. THIS DRAWING IS NOT TO BE COPIED OR USED WITHOUT THE APPROVAL OF MICRO SWITCH.



CATALOG LISTING	CIRCUIT MADE WITH TOGGLE LEVER IN			ELECTRICAL RATING
	KEYWAY SIDE 2-1	CENTER	OPPOSITE KEYWAY 2-3	
11TW8-1	ON	OFF	ON	5A-125 VAC RL
11TW8-3	OFF	NONE	ON	
11TW8-21	ON	NONE	ON	
11TW8-31	NONE	OFF	ON	5A-125 VAC RL
11TW8-4	NONE	ON	ON	
11TW8-5	MOM OFF	NONE	ON	
11TW8-6	MOM ON	OFF	ON	
11TW8-7	MOM ON	NONE	OFF	
11TW8-8	MOM ON	OFF	MOM ON	
11TW8-41	MOM ON	NONE	ON	
11TW8-51	NONE	MOM OFF	ON	
11TW8-61	NONE	ON	MOM ON	
11TW8-61	MOM ON	OFF	NONE	



NOTES  
 1 - FURNISHED UNASSEMBLED  
 2 - TERMINALS ARE PLATED FOR SOLDERING  
 3 - MATTE FINISH  
 4 - GOLD PLATED CONTACTS

SCALE 2 TO 1  
 DO NOT SCALE PRINT  
 UNLESS OTHERWISE NOTED  
 DIMENSIONS ARE IN INCHES  
**TOLERANCES ARE:**  
 ONE PLACE (.10) ±.030  
 TWO PLACE (.00) ±.015  
 THREE PLACE (.000) ±.008  
 ANGLES  
 WEIGHT .025 LB MAX