

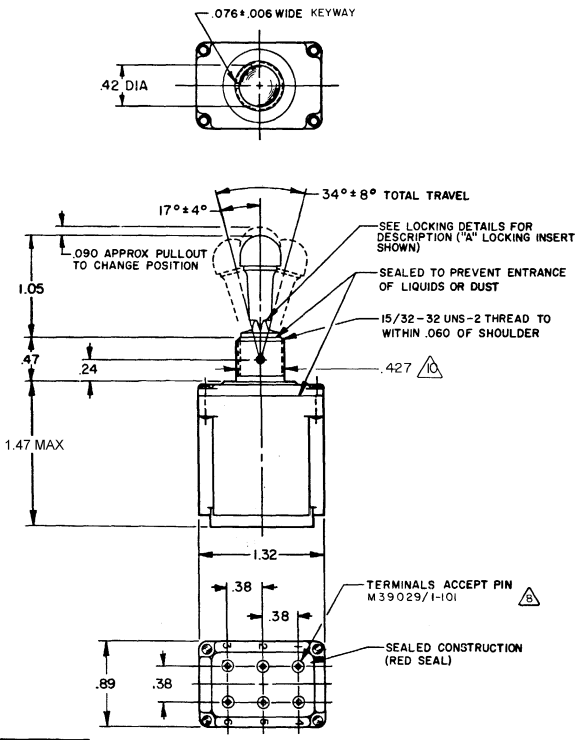
CATALOG LISTING
M 102TL2 SERIES CHART 2
 ISSUE 18
 REVISIONS
 A 38392
 B 48070
 C 50486
 D 56574
 E 0057478
 F 0092297
 G 53999
 H 201413
 I 001
 J 001700
 DRAWN
 T M M 19 FEB 78 CHECK
 C E B 21 APR 78 CHECK
 D E K 1 APR 78 CHECK
 R E L E A S E N O . P R - 3 5 4 5
 R E P L A C E S

MICRO SWITCH
 FREEPORT, ILLINOIS, U.S.A.
 A DIVISION OF HONEYWELL
 FED. MFG. CODE 91929

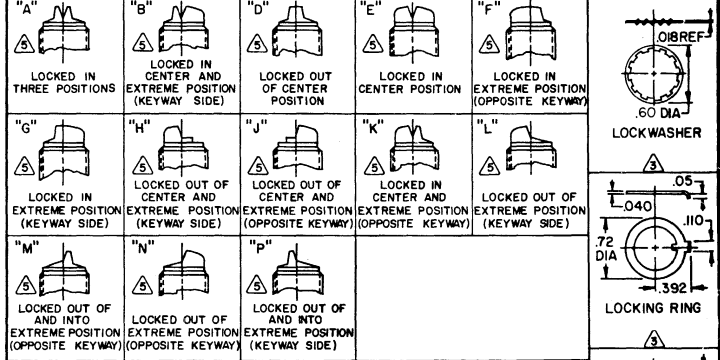
SWITCH-TOGGLE

CATALOG LISTING
102TL2 SERIES
CHART 2

THIS DRAWING COVERS A PROPRIETARY ITEM AND IS THE PROPERTY OF MICRO SWITCH, A DIVISION OF HONEYWELL. THIS DRAWING IS NOT TO BE COPIED OR USED WITHOUT THE APPROVAL OF MICRO SWITCH.



MILITARY STANDARD NUMBER	CATALOG LISTING	AVAILABLE LOCKING COMBINATIONS FOR CONFIGURATION SEE LETTERED DETAILS	CIRCUIT MADE TOGGLE LEVER IN			MILITARY RATING (AMPS)			
			KEYWAY SIDE (1-2, 4-5)	CENTER (1-2, 4-5)	OPPOSITE KEYWAY (2-3, 5-6)	RESISTIVE LOAD DC VOLTS	RESISTIVE LOAD AC VOLTS	LAMP LOAD	INDUCTIVE LOAD
MS27788-21	102TL2-1	A,B,D,E,F,G,H,K,L,M,N,P	ON	OFF	ON				
MS27788-22	102TL2-2	D, F, G	OFF	NONE	ON	7.5	7.5	5	7.5
MS27788-23	102TL2-3	D, F, G	ON	NONE	ON				
MS27788-24	102TL2-21	E, F, K, M	NONE	OFF	ON				
MS27788-33	102TL2-31	E, F, K, M	NONE	ON	ON				
MS27788-29	102TL2-4	F	MOM OFF	NONE	ON				
MS27788-31	102TL2-5	E, F, K, L, M, N	MOM ON	OFF	ON				
MS27788-30	102TL2-6	F	MOM ON	NONE	OFF				
MS27788-27	102TL2-7	E, L, N	MOM ON	OFF	MOM ON	7.5	7.5	5	7.5
MS27788-26	102TL2-8	F	MOM ON	NONE	ON				
MS27788-32	102TL2-51	E	NONE	ON	MOM ON				
MS27788-28	102TL2-61	E	MOM ON	OFF	NONE				



NOTES

- SWITCHES ARE CAPABLE OF WITHSTANDING A TEMPERATURE OF 160°F CONTINUOUSLY AT FULL RATED LOAD
- CIRCUIT DESIGNATION, MICRO SWITCH CATALOG LISTING, DATE CODE AND MS NUMBER IDENTIFIED ON SIDE OF SWITCH FURNISHED UNASSEMBLED
- THESE SWITCHES ARE QUALIFIED UNDER MIL-S-3950
- KEYWAY SHOWN ON LEFT SIDE
- SUFFIX LETTER MUST BE ADDED FOR DESIRED TYPE OF TOGGLE LOCKING. SEE CHART FOR AVAILABLE LOCKING COMBINATIONS
- APPLIES ONLY TO "ON" AND "MOM ON" POSITIONS
- THE SEALING GROMMET SHALL SEAL ON A SMOOTH WIRE INSULATION OF .040 TO .083 DIAMETERS (16-20 GAGE)
- UNUSED TERMINAL HOLES MAY BE SEALED WITH PLUGS M83723/28-20
- FROM BOTTOM OF KEYWAY TO MAJOR DIA. OF 15/32 THREAD

SCALE FULL
 DO NOT SCALE PRINT
 UNLESS OTHERWISE NOTED
 DIMENSIONS ARE IN INCHES
TOLERANCES ARE:
 ONE PLACE (.01) ± .005
 TWO PLACE (.00) ± .018
 THREE PLACE (.000) ± .009
 ANGLES ± .009
 WEIGHT .135 LB MAX