

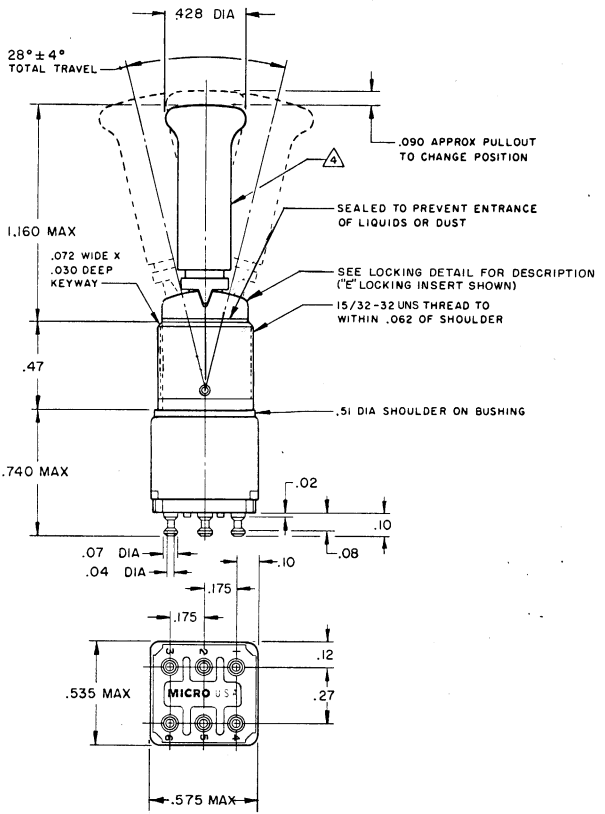
MICRO SWITCH
 FREEPORT, ILLINOIS, U.S.A.
 A DIVISION OF HONEYWELL
 FED. MFG. CODE 9189

SWITCH-TOGGLE

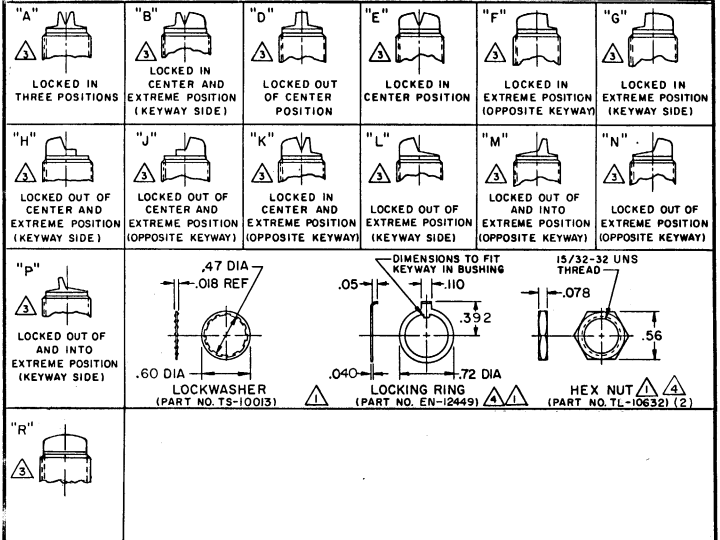
CATALOG LISTING
12TW8 SERIES
CHART 2

THIS DRAWING COVERS A PROPRIETARY ITEM AND IS THE PROPERTY OF MICRO SWITCH, A DIVISION OF HONEYWELL. THIS DRAWING IS NOT TO BE COPIED OR USED WITHOUT THE APPROVAL OF MICRO SWITCH.

12TW8 SERIES
CHART 2
 DRAWING NUMBER
 ISSUE
 REVISIONS
 CHECKED
 DRAWN
 DATE



CAT. LIST.	RECOMMENDED LOCKING COMBINATIONS FOR CONFIGURATION SEE LETTERED DETAILS	CIRCUIT WITH TOGGLE IN			ELECTRICAL DATA
		EXTREME POSITION KEYWAY SIDE	CENTER	EXTREME POSITION OPPOSITE KEYWAY	
12TW8-1	A,B,E,F,G,H,I,K,L,M,N,P	ON	OFF	ON	CONTACT ARRANGEMENT - L 117- 5A-125 VAC
12TW8-3	D, F, G	ON	NONE	ON	
12TW8-5	E, F, K, L, M, N	MOM ON	OFF	ON	
12TW8-7	E, L, N, R	MOM ON	OFF	MOM ON	
12TW8-8	F	MOM ON	NONE	ON	
12TW8-2	D, F, G	OFF	NONE	ON	



NOTE -
 1 - FURNISHED UNASSEMBLED
 2 - TERMINALS ARE PLATED FOR SOLDERING
 3 - SUFFIX MUST BE ADDED FOR DESIRED TYPE TOGGLE
 4 - MATTE FINISH
 5 - GOLD PLATED CONTACTS

SCALE 2 TO 1
 DO NOT SCALE PRINT
 UNLESS OTHERWISE SPECIFIED
 DIMENSIONS ARE IN INCHES
TOLERANCES ARE:
 ONE PLACE () ± .030
 TWO PLACE (.00) ± .015
 THREE PLACE (.000) ± .005
 ANGLES ±