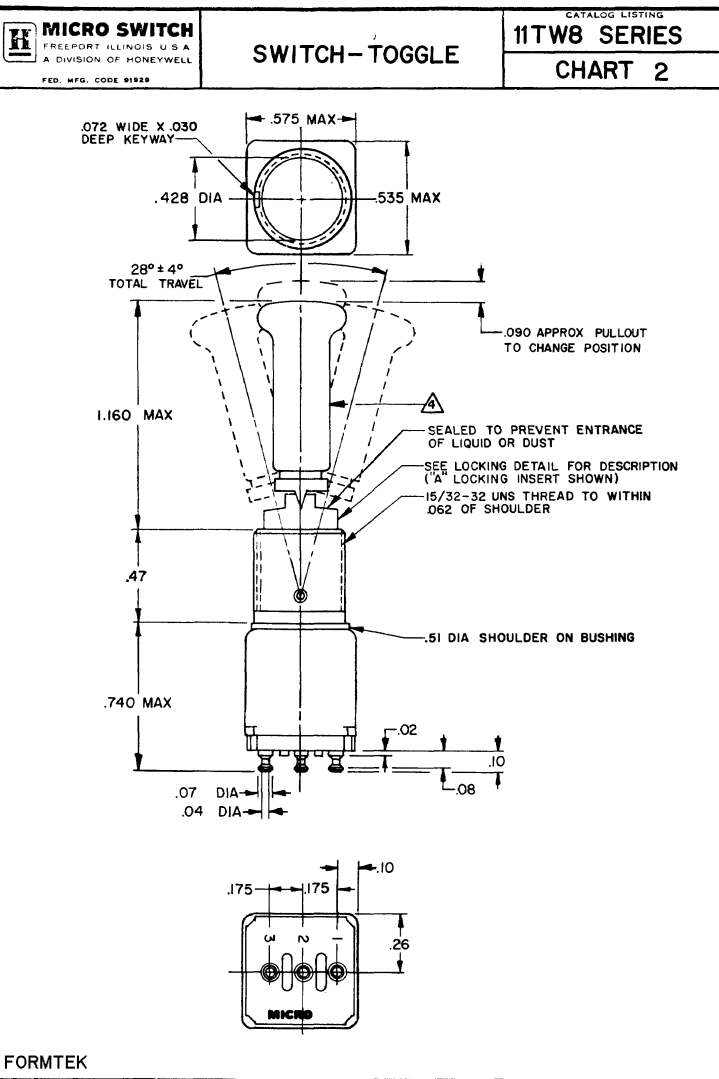


M 11TW8 SERIES CHART 2
 DRAWING NUMBER
 ISSUE 6
 REVISIONS
 A PR-6519
 B CO90565
 C CO61252
 D CO62939
 E CO83309
 G JUN 74
 FORMTEK



CATALOG LISTING

11TW8 SERIES

CHART 2

THIS DRAWING COVERS A PROPRIETARY ITEM AND IS THE PROPERTY OF MICRO SWITCH, A DIVISION OF MINNEAPOLIS-HONEYWELL REGULATOR CO. THIS DRAWING IS NOT TO BE COPIED OR USED WITHOUT THE APPROVAL OF MICRO SWITCH.

CAT. LIST.	RECOMMENDED LOCKING COMBINATIONS FOR CONFIGURATION SEE LETTERED DETAILS	CIRCUIT WITH TOGGLE IN			ELECTRICAL DATA
		EXTREME POSITION KEYWAY SIDE (1-2)	CENTER	EXTREME POSITION OPPOSITE KEYWAY (2-3)	
11TW8-1	A, B, D, E, F, G, H, K, L, M, N, P	ON	OFF	ON	CODE L117 5A-125 VAC
11TW8-3	D, F, G	ON	NONE	ON	
11TW8-5	E, F, K, L, M, N	MOM ON	OFF	ON	
11TW8-7	E, L, N	MOM ON	OFF	MOM ON	
11TW8-8	F	MOM ON	NONE	ON	

"A" LOCKED IN THREE POSITIONS	"B" LOCKED IN CENTER AND EXTREME POSITION (KEYWAY SIDE)	"D" LOCKED OUT OF CENTER POSITION	"E" LOCKED IN CENTER POSITION	"F" LOCKED IN EXTREME POSITION (OPPOSITE KEYWAY)	"G" LOCKED IN EXTREME POSITION (KEYWAY SIDE)
"H" LOCKED OUT OF CENTER AND EXTREME POSITION (KEYWAY SIDE)	"J" LOCKED OUT OF CENTER AND EXTREME POSITION (OPPOSITE KEYWAY)	"K" LOCKED IN CENTER AND EXTREME POSITION (OPPOSITE KEYWAY)	"L" LOCKED OUT OF EXTREME POSITION (KEYWAY SIDE)	"M" LOCKED OUT OF AND INTO EXTREME POSITION (OPPOSITE KEYWAY)	"N" LOCKED OUT OF EXTREME POSITION (OPPOSITE KEYWAY)

"P" LOCKED OUT OF AND INTO EXTREME POSITION (KEYWAY SIDE)	 .47 DIA .018 REF .60 DIA LOCKWASHER (PART NO. TS-10013)	 DIMENSIONS TO FIT KEYWAY IN BUSHING .05 .110 .392 .72 DIA .040 LOCKING RING (PART NO. EN-12449)	 15/32-32 UNS THREAD .078 .56 HEX NUT (2) (PART NO. TL-10632)
--	--	---	---

NOTE -

- △ FURNISHED UNASSEMBLED
- 2 - TERMINALS ARE PLATED FOR SOLDERING
- 3 - SUFFIX MUST BE ADDED FOR DESIRED TYPE TOGGLE LOCKING
- 4 - MATTE FINISH
- 5 - GOLD PLATED CONTACTS

SCALE 2:1

DO NOT SCALE PRINT

UNLESS OTHERWISE SPECIFIED DIMENSIONS ARE IN INCHES

TOLERANCES ARE:

ONE PLACE (.01)	±.030
TWO PLACE (.001)	±.018
THREE PLACE (.0001)	±.008
ANGLES	±.008

WEIGHT .045 LB MAX