

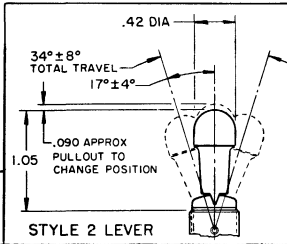
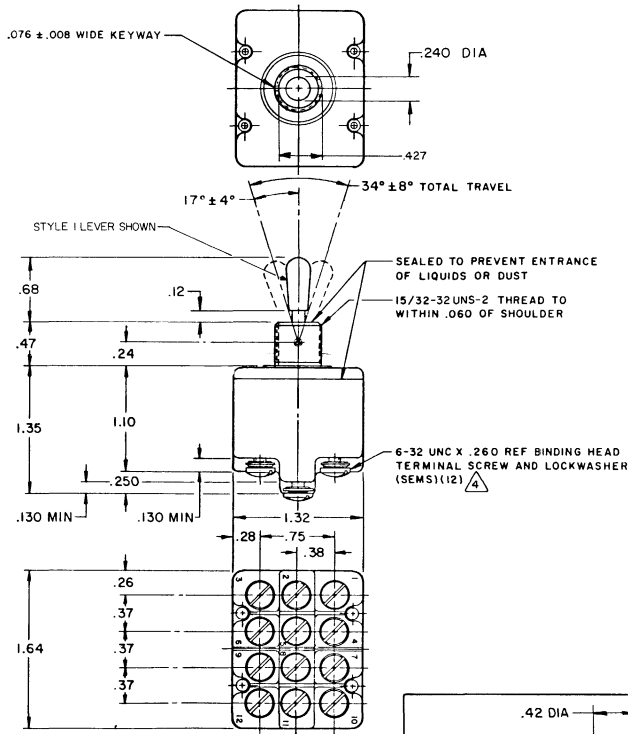
4TLI-50 SERIES
 DRAWING NUMBER
 ISSUE
 REVISIONS
 FORMTEK
 DRAWN
 MJB 17 SEPT 71
 CHECK
 L.S.D. 20 SEP 71
 CHECK
 E.P.B. 20 SEP 71
 CHECK
 TO S.E.P. 71
 CHECK
 P.R. 2097
 REPLACES

MICRO SWITCH
 FREEPORT, ILLINOIS, U.S.A.
 A DIVISION OF HONEYWELL
 FED. MFG. CODE 9192

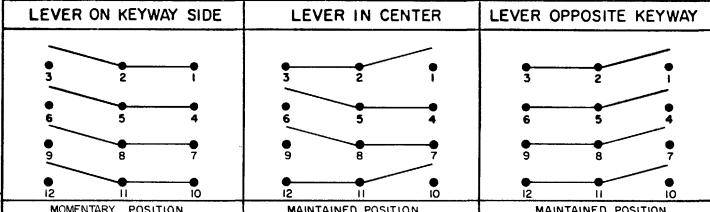
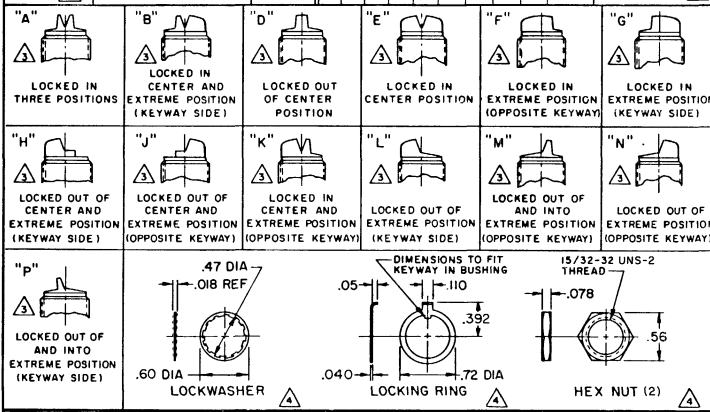
SWITCH-BASIC

CATALOG LISTING
4TLI-50 SERIES
CHART 1

THIS DRAWING COVERS A PROPRIETARY ITEM AND IS THE PROPERTY OF MICRO SWITCH, A DIVISION OF MINNEAPOLIS-HONEYWELL REGULATOR CO. THIS DRAWING IS NOT TO BE COPIED OR USED WITHOUT THE APPROVAL OF MICRO SWITCH.



CAT. LIST.	AVAILABLE LOCKING COMBINATIONS FOR CONFIGURATION SEE LETTERED DETAILS	STYLE NO.	MILITARY RATING (AMPS)								CONTINUOUS	MS NUMBER
			28 DC VOLTS	125 AC VOLTS	250 AC VOLTS	250 AC VOLTS	28 VDC	125 VAC	28 VDC	125 VAC		
4TLI-50	NONE	1										27406-2
4TLI-50	E, F, K, L, M, N	2										27409-2



NOTES

- SWITCHES ARE CAPABLE OF WITHSTANDING A TEMPERATURE OF 160°F CONTINUOUSLY AT FULL RATED LOAD
- CIRCUIT DESIGNATION, MICRO SWITCH CATALOG LISTING AND MS NUMBER MARKED ON SIDE OF SWITCH
- KEYWAY SHOWN ON LEFT SIDE
- FURNISHED UNASSEMBLED
- FOR TERMINAL COVER SEE MICRO SWITCH CATALOG LISTING 5PA9

SUFFIX LETTER MUST BE ADDED FOR DESIRED TYPE TOGGLE LOCKING, SEE CHART FOR AVAILABLE LOCKING COMBINATIONS

SCALE FULL
 DO NOT SCALE PRINT
 UNLESS OTHERWISE NOTED
 DIMENSIONS ARE IN INCHES
TOLERANCES ARE:
 ONE PLACE .01
 TWO PLACE .005
 THREE PLACE .001
 ANGLES .015

10A-125, 250, 277 VAC
 1/4HP-125VAC, 1/2HP-250, 277VAC
 3A-125VAC "L" CODE L192

