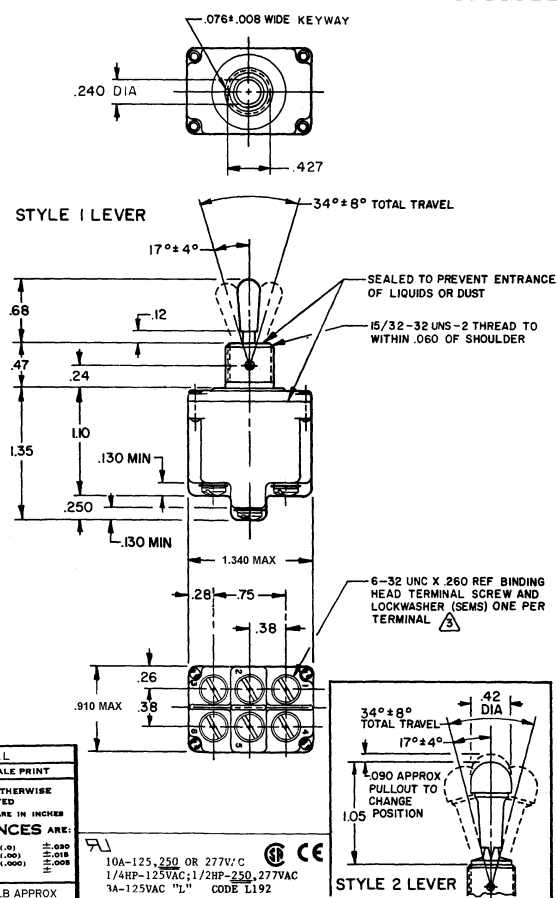
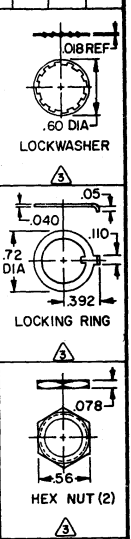


CATALOG LISTING
M 2TL1-56 SERIES CHART 1
 ISSUE 4
 REVISIONS:
 A 17 OCT 94
 B 19 MAR 94
 C 0003011 08 FEB 04
 D 0003011 08 FEB 04
 E 0003011 08 FEB 04
 F 0003011 08 FEB 04
 G 0003011 08 FEB 04
 H 0003011 08 FEB 04
 I 0003011 08 FEB 04
 J 0003011 08 FEB 04
 K 0003011 08 FEB 04
 L 0003011 08 FEB 04
 M 06 FEB 04
 N 23 JUN 04
 O 23 JUN 04
 P 23 JUN 04
 Q 23 JUN 04
 R 23 JUN 04
 S 23 JUN 04
 T 23 JUN 04
 U 23 JUN 04
 V 23 JUN 04
 W 23 JUN 04
 X 23 JUN 04
 Y 23 JUN 04
 Z 23 JUN 04
 FORMITEK
 DRAWN
 KDR 10 JUN 94
 CHECKED
 KAS 23 JUN 04
 CHECKED
 MDM 06 FEB 04
 SCALE FULL
 DO NOT SCALE PRINT
 UNLESS OTHERWISE NOTED
 DIMENSIONS ARE IN INCHES
 TOLERANCES ARE:
 ONE PLACE (.01) ±.005
 TWO PLACE (.00) ±.002
 THREE PLACE (.000) ±.001
 ANGLE 1/16 ±.008
 WEIGHT .15 LB APPROX
 10A-125,250 OR 277V;C
 1/4HP-125VAC; 1/2HP-250,277VAC
 1A-125VAC "L" CODE L192

MICRO SWITCH FREEPORT, ILLINOIS, U.S.A. A DIVISION OF HONEYWELL FED. MFG. CODE 91929	SWITCH-TOGGLE	CATALOG LISTING 2TL1-56 SERIES CHART 1	MILITARY STANDARD NUMBER 27407-2 27408-2	CATALOG LISTING 2TL1-56 2TL1-56	AVAILABLE LOCKING COMBINATIONS FOR CONFIGURATION SEE LETTERED DETAILS NONE E, F, K, L, M, N	STYLE NUMBER 1 2	MILITARY RATING (AMPS)							
		THIS DRAWING COVERS A PROPRIETARY ITEM AND IS THE PROPERTY OF MICRO SWITCH, A DIVISION OF HONEYWELL. THIS DRAWING IS NOT TO BE COPIED OR USED WITHOUT THE APPROVAL OF MICRO SWITCH.					RESISTIVE LOAD DC VOLTS 28 125 250		AC VOLTS 125 250		LAMP LOAD 28 125 VDC 28 125 VAC		INDUCTIVE LOAD 28 125 VDC 28 125 VAC	



"A" LOCKED IN THREE POSITIONS	"B" LOCKED IN CENTER AND EXTREME POSITION (KEYWAY SIDE)	"D" LOCKED OUT OF CENTER POSITION	"E" LOCKED IN CENTER POSITION	"F" LOCKED IN EXTREME POSITION (OPPOSITE KEYWAY)	"G" LOCKED IN EXTREME POSITION (KEYWAY SIDE)	"H" LOCKED OUT OF CENTER AND EXTREME POSITION (KEYWAY SIDE)	"J" LOCKED OUT OF CENTER AND EXTREME POSITION (OPPOSITE KEYWAY)	"K" LOCKED IN CENTER AND EXTREME POSITION (OPPOSITE KEYWAY)	"L" LOCKED OUT OF EXTREME POSITION (KEYWAY SIDE)	"M" LOCKED OUT OF AND INTO EXTREME POSITION (OPPOSITE KEYWAY)	"N" LOCKED OUT OF EXTREME POSITION (OPPOSITE KEYWAY)	"P" LOCKED OUT OF AND INTO EXTREME POSITION (KEYWAY SIDE)
SEALED TO PREVENT ENTRANCE OF LIQUIDS OR DUST 15/32-32 UNS-2 THREAD TO WITHIN .060 OF SHOULDER 6-32 UNC X .260 REF BINDING HEAD TERMINAL SCREW AND LOCKWASHER (SEMS) ONE PER TERMINAL												
CIRCUIT MADE WITH TOGGLE LEVER IN												
KEYWAY SIDE				CENTER				OPPOSITE KEYWAY				
MOMENTARY POSITION				MAINTAINED POSITION				MAINTAINED POSITION				



NOTES
 1 - SWITCHES ARE CAPABLE OF WITHSTANDING A TEMPERATURE OF 160°F CONTINUOUSLY AT FULL RATED LOAD
 2 - CIRCUIT DESIGNATION, MICRO SWITCH CATALOG LISTING AND MS NUMBER MARKED ON SIDE OF SWITCH
 3 - FURNISHED UNASSEMBLED
 4 - FOR TERMINAL COVER SEE MICRO SWITCH CAT. LIST. 5PA8
 5 - KEYWAY SHOWN ON LEFT SIDE
 6 - SUFFIX LETTER MUST BE ADDED FOR DESIRED TYPE OF TOGGLE LOCKING. SEE CHART FOR AVAILABLE LOCKING COMBINATIONS
 7 - THESE SWITCHES ARE QUALIFIED UNDER MIL-S-3950