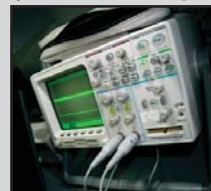


ANTI-VANDAL SWITCHES
 DETECTOR SWITCHES
 DIP SWITCHES
 KEYLOCK SWITCHES
 NAVIGATION SWITCHES
 PUSHBUTTON SWITCHES
 ROCKER SWITCHES
 ROTARY SWITCHES
 SLIDE SWITCHES
 SNAP ACTION SWITCHES
 TACTILE SWITCHES
 TOGGLE SWITCHES
 CAP OPTIONS



APPLICATIONS / MARKETS



RoHS

SPECIFICATIONS

Electrical Rating: 0.4VA, 20V Max. (AC or DC)
Life Expectancy: 40,000 Cycles
Contact Resistance: 100mΩ Max.
Insulation Resistance: 500MΩ Min. at 500VDC
Dielectric Strength: 500VDC for 1 Minute
Operating Temperature: -30°C to 85°C

Single and Double Pole Functions: On-On
 On-Off-On
 Off-On

FEATURES & BENEFITS

- Ultraminiature in size
- Variety of functions
- PCB Mounting - vertical or right angle mounting options
- Sealed to IP67

PART NUMBER CONFIGURATOR

Series	Model No.	Actuator	Bushing	Terminal	Contact Material	Seal
<input type="checkbox"/> <input type="checkbox"/> <input type="checkbox"/> <input type="checkbox"/> 200U	<input type="checkbox"/> <input type="checkbox"/> <input type="checkbox"/> SP1 - On-None-On SP3 - On-Off-On SP9 - Off-None-On DP1 - On-None-On DP3 - On-Off-On DP9 - Off-None-On	<input type="checkbox"/> <input type="checkbox"/> T1 - 3.80 High	<input type="checkbox"/> <input type="checkbox"/> A1 - 1.60 High	<input type="checkbox"/> <input type="checkbox"/> M2 - PC Through Hole M6 - Right Angle PC Through Hole M7 - Vertical Right Angle PC Through Hole	<input type="checkbox"/> R - Gold	<input type="checkbox"/> E - Epoxy

Specifications subject to change without notice



E-SWITCH®

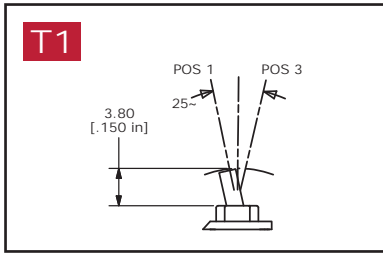


www.e-switch.com

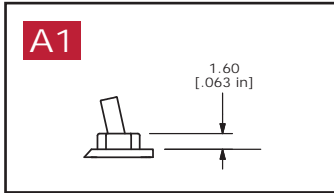
800.867.2717

1

ACTUATOR OPTIONS

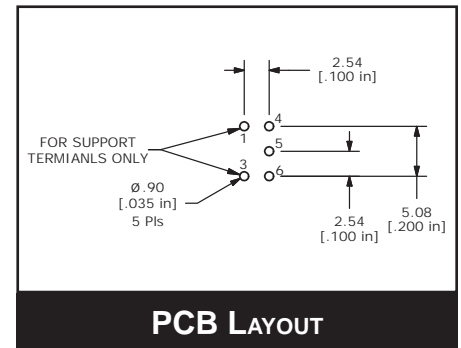
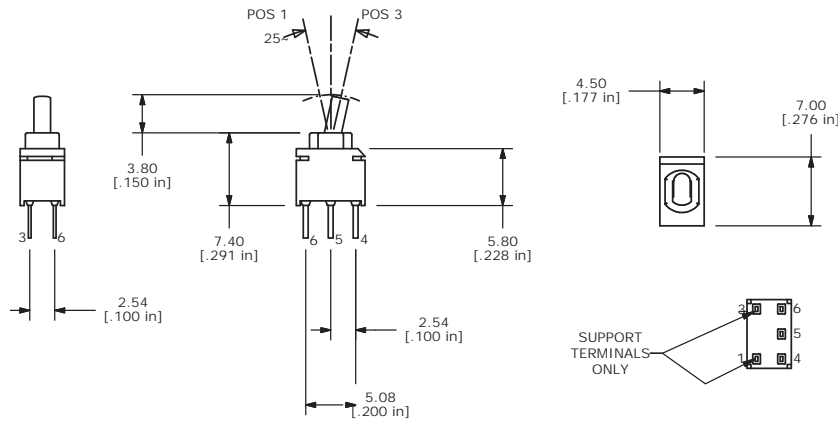


BUSHING OPTIONS

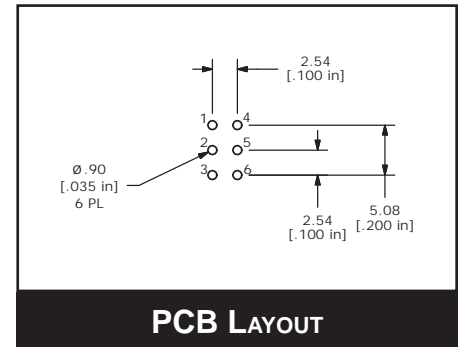
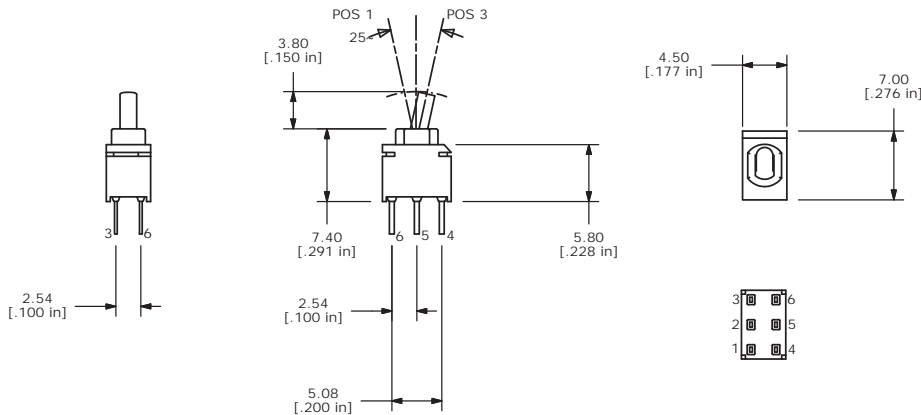


TERMINATION OPTIONS

M2 - SPDT

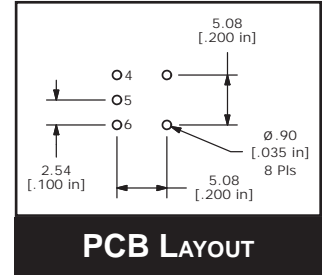
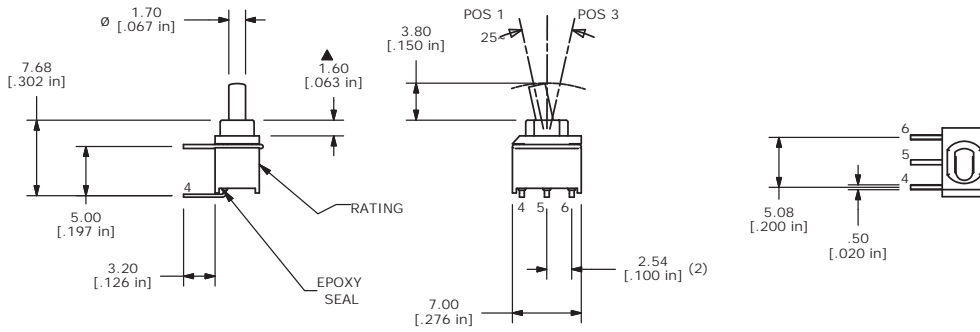


M2 - DPDT

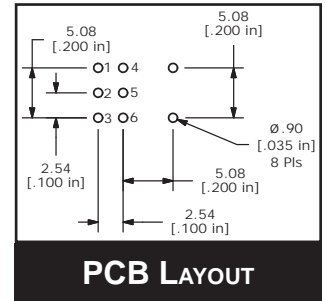
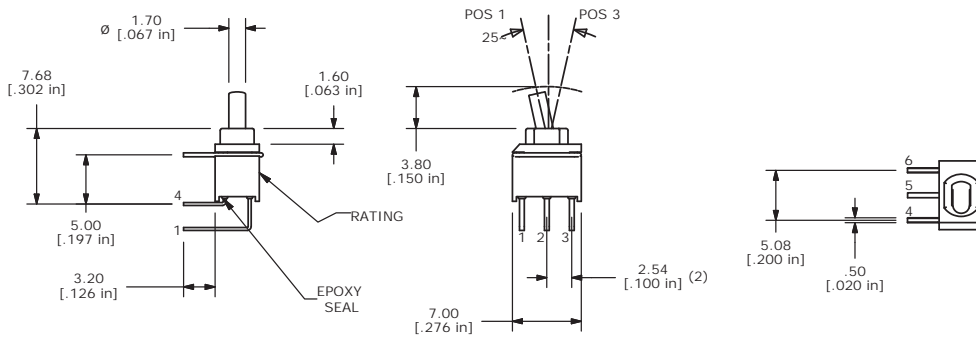


ANTI-VANDAL SWITCHES
 DETECTOR SWITCHES
 DIP SWITCHES
 KEYLOCK SWITCHES
 NAVIGATION SWITCHES
 PUSHBUTTON SWITCHES
 ROCKER SWITCHES
 ROTARY SWITCHES
 SLIDE SWITCHES
 SNAP ACTION SWITCHES
 TACTILE SWITCHES
 TOGGLE SWITCHES
 CAP OPTIONS

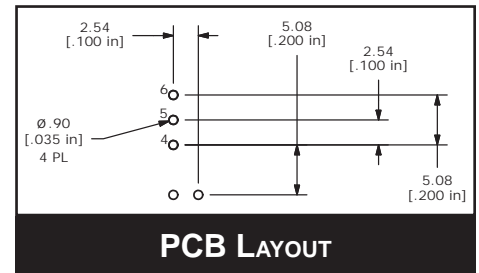
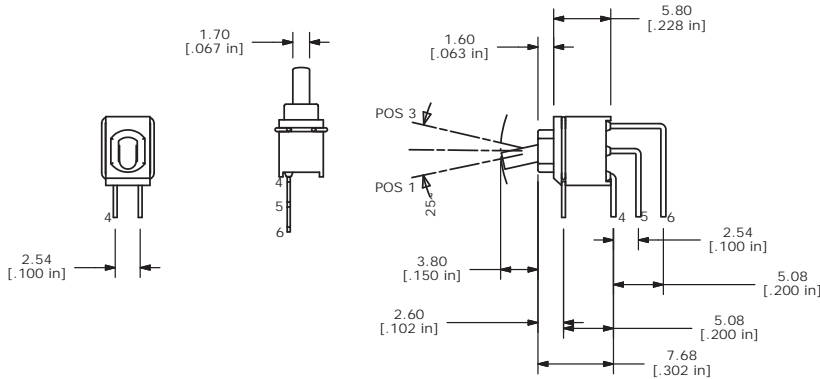
M6 - SPDT



M6 - DPDT



M7 - SPDT



M7 - DPDT

