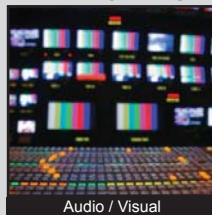


ANTI-VANDAL SWITCHES
DETECTOR SWITCHES
DIP SWITCHES
KEYLOCK SWITCHES
NAVIGATION SWITCHES
PUSHBUTTON SWITCHES
ROCKER SWITCHES
ROTARY SWITCHES
SLIDE SWITCHES
SNAP ACTION SWITCHES
TACTILE SWITCHES
TOGGLE SWITCHES
CAP OPTIONS



APPLICATIONS / MARKETS



RoHS

SPECIFICATIONS

Electrical Rating: 100mA, 24VDC
Life Expectancy: 200,000 Cycles
Contact Resistance: 100mΩ Max.
Insulation Resistance: 1,000MΩ Min. at 500VDC
Dielectric Strength: 1,000VAC for 1 Minute
Operating Temperature: -30°C to 85°C
Operating Force: 560gf ± 150gf
Travel: 2.5mm ± 0.25mm
Ingress Protection: IP65

Panel Cutout: 13.6mm Diameter
Panel Thickness Range: 1.5mm - 5.5mm
Function: SPST, Off-On

FEATURES & BENEFITS

- Threaded Mount
- 200,000 Cycle Life Expectancy
- LED Illuminated Options
- Sealed to IP65

PART NUMBER CONFIGURATOR

Series	Bushing	Terminal	Contact Material	Seal	Housing Color	Cap Color	LED Color
RP8200	B2 - Threaded (12 x .75)	M1 - Standard	C - Gold Over Silver	E - Epoxy	BLK - Black	WHT - White BLK - Black RED - Red ORG - Orange YEL - Yellow GRN - Green BLU - Blue	WHT - White LED RED - Red LED YEL - Yellow LED GRN - Green LED BLU - Blue LED NIL - Non-Illuminated

Specifications subject to change without notice



E-SWITCH®

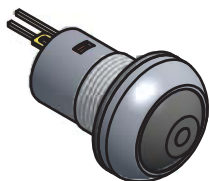


www.e-switch.com

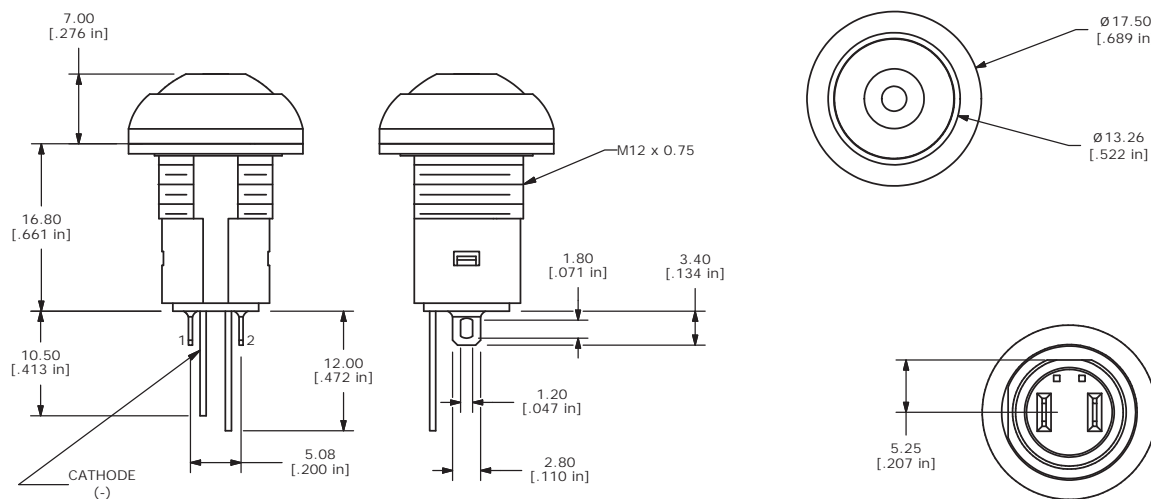
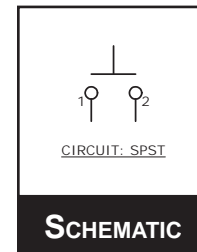
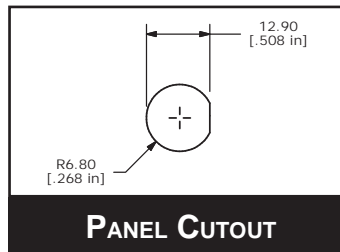
800.867.2717

1

RP8200 WITH LED



LED SPECIFICATIONS		
LED PARAMETER	UNITS	RED LED
FORWARD CURRENT	mA	20
FORWARD VOLTAGE	V	2.1 TYP, 2.6 MAX.
LUMINOUS INTENSITY	mcd	43 MIN-100TYP



RP8200 WITHOUT LED

