



# **NTC thermistors for temperature measurement**

Probe assemblies

**Series/Type:** B57276K  
**Date:** February 2009

### Applications

- Washing machines
- Dish washers
- Tumble-dryers
- Water boilers

### Features

- Suitable for use in corrosive environments
- Compact stainless steel case
- RAST 2.5 or RAST 5 connector
- Cost-effective ready-to-use sensor
- UL approval (E69802)
- VDE approval (DIN EN 60539-1: 2002)

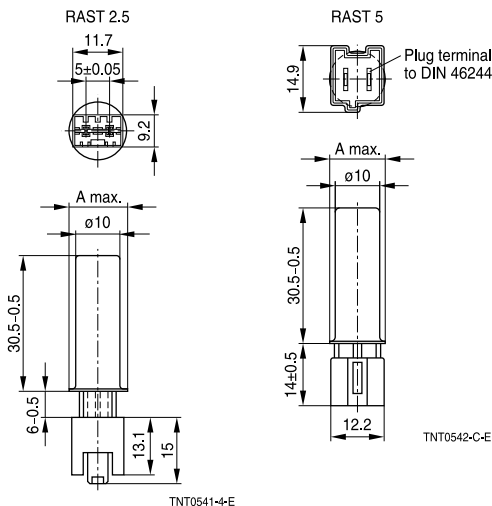
### Options

- Alternative resistance ratings, rated temperatures and resistance tolerances available on request.
- RAST 5 plug terminals or RAST 2.5 connector with bar available on request.
- Type Z276 and Z278 with different geometry and faster response time available on request.

### Delivery mode

Bulk

### Dimensional drawings



Approx. weight 9 g

Approx. weight 9 g

### Dimensions

R <sub>60</sub> Ω	A max. mm	Plug terminal mm
<b>RAST 2.5 connector</b>		
1204	∅ 14.5	-
3243	∅ 12.4	-
<b>RAST 5 connector</b>		
1082	∅ 14.5	6.3 x 0.8
3243	∅ 12.4	4.8 x 0.8

**General technical data**

Climatic category	(IEC 60068-1)		10/100/56	
Max. power	(at 25 °C)	$P_{25}$	500	mW
Resistance tolerance		$\Delta R_R/R_R$	$\pm 2$	%
Dissipation factor	(in water)	$\delta_{th}$	approx. 20	mW/K
Thermal time constant	(in water)	$\tau_a$	approx. 20	s
Heat capacity		$C_{th}$	approx. 500	mJ/K
Insulation resistance	(V = 100 V DC)	$R_{ins}$	> 1000	M $\Omega$
Test voltage	(t = 1 s)	$V_{test}$	3750	V AC

**Electrical specification and ordering codes**

$T_R$ °C	$R_R$ $\Omega$	$R_{25}$ $\Omega$	No. of R/T characteristic	$B_{25/100}$ K	Ordering code
<b>RAST 2.5 connector</b>					
60	1204	4829	2003	3980 $\pm 1\%$	B57276K0482A007
60	3243	11981	2901	3760 $\pm 1.5\%$	B57276K0123A028
<b>RAST 5 connector</b>					
63	1082	4829	2003	3980 $\pm 1.5\%$	B57276K0482A009
60	3243	11981	2901	3760 $\pm 1.5\%$	B57276K0123A024

**Reliability data**

Test	Standard	Test conditions	$\Delta R_{25}/R_{25}$ (typical)	Remarks
Storage in dry heat	IEC 60068-2-2	Storage at upper category temperature T: 100 °C t: 1000 h	< 2%	No visible damage
Storage in damp heat, steady state	IEC 60068-2-78	Temperature of air: 40 °C Relative humidity of air: 93% Duration: 56 days	< 1%	No visible damage
Rapid temperature cycling	IEC 60068-2-14	Lower test temperature: -10 °C Upper test temperature: 100 °C Number of cycles: 10	< 1%	No visible damage
Endurance		$P_{max}$ : 500 mW t: 1000 h	< 2%	No visible damage
Long-term stability (empirical value)		Temperature: 100 °C t: 10000 h	< 3%	No visible damage
Robustness of terminations	DIN 46 249	Pull-out force (both connectors together) F = 50 N		No visible damage

**R/T characteristics**

R/T No.	2003		2901	
T (°C)	B <sub>25/100</sub> = 3980 K		B <sub>25/100</sub> = 3760 K	
	R <sub>T</sub> /R <sub>25</sub>	α (%/K)	R <sub>T</sub> /R <sub>25</sub>	α (%/K)
-55.0	97.578	7.5	63.969	6.7
-50.0	67.65	7.2	46.179	6.4
-45.0	47.538	7.0	33.738	6.2
-40.0	33.831	6.7	24.927	6.0
-35.0	24.359	6.5	18.611	5.8
-30.0	17.753	6.3	14.033	5.6
-25.0	13.067	6.0	10.679	5.4
-20.0	9.7228	5.8	8.198	5.3
-15.0	7.3006	5.6	6.3123	5.2
-10.0	5.5361	5.5	4.9014	5.1
-5.0	4.2332	5.3	3.821	4.9
0.0	3.266	5.1	3.0027	4.7
5.0	2.5392	5.0	2.3801	4.6
10.0	1.9902	4.8	1.9	4.5
15.0	1.5709	4.7	1.5257	4.3
20.0	1.2492	4.5	1.233	4.3
25.0	1.0000	4.4	1.0000	4.1
30.0	0.80575	4.3	0.81679	4.0
35.0	0.65326	4.1	0.67166	3.9
40.0	0.5329	4.0	0.55527	3.8
45.0	0.43715	3.9	0.46095	3.8
50.0	0.36064	3.8	0.38459	3.7
55.0	0.29908	3.7	0.32184	3.6
60.0	0.24932	3.6	0.27068	3.5
65.0	0.20886	3.5	0.22907	3.3
70.0	0.17578	3.4	0.19468	3.2
75.0	0.14863	3.3	0.16607	3.1
80.0	0.12621	3.2	0.14221	3.1
85.0	0.10763	3.1	0.12218	3.0
90.0	0.092159	3.1	0.10533	2.9
95.0	0.079225	3.0	0.09123	2.8
100.0	0.068356	2.9	0.079284	2.8
105.0	0.059247	2.8	0.069062	2.7
110.0	0.051531	2.8	0.06034	2.7
115.0	0.044921	2.7	0.052886	2.6
120.0	0.039282	2.7	0.046482	2.5
125.0	0.034387	2.6	0.040985	2.5
130.0	0.030186	2.5	0.036233	2.5
135.0	0.02665	2.5	0.032101	2.4
140.0	0.023594	2.4	0.02851	2.4
145.0	0.020931	2.4	0.025373	2.3
150.0	0.018616	2.3	0.022633	2.3
155.0	0.016612	2.3	0.020231	2.3



## Cautions and warnings General

See "Important notes" at the end of this document.

### Storage

- Store thermistors only in original packaging. Do not open the package prior to storage.
- Storage conditions in original packaging: storage temperature  $-25\text{ °C} \dots +45\text{ °C}$ , relative humidity  $\leq 75\%$  annual mean,  $< 95\%$  maximum 30 days per annum, dew precipitation is inadmissible.
- Do not store thermistors where they are exposed to heat or direct sunlight. Otherwise, the packing material may be deformed or components may stick together, causing problems during mounting.
- Avoid contamination of thermistor surface during storage, handling and processing.
- Avoid storage of thermistors in harmful environments like corrosive gases ( $\text{SO}_x$ , Cl etc).
- Use the components as soon as possible after opening the factory seals, i.e. the polyvinyl-sealed packages.
- Solder thermistors within the time specified after shipment from EPCOS.  
For leaded components this is 24 months, for SMDs 12 months.

### Handling

- NTC thermistors must not be dropped. Chip-offs or any other damage must not be caused during handling of NTCs.
- Do not touch components with bare hands. Gloves are recommended.
- Avoid contamination of thermistor surface during handling.

### Bending / twisting leads

- A lead (wire) may be bent at a minimum distance of twice the wire's diameter plus 4 mm from the component head or housing. When bending ensure the wire is mechanically relieved at the component head or housing. The bending radius should be at least 0.75 mm.
- Twisting (torsion) by  $180^\circ$  of a lead bent by  $90^\circ$  is permissible at 6 mm from the bottom of the thermistor body.

### Soldering

- Use resin-type flux or non-activated flux.
- Insufficient preheating may cause ceramic cracks.
- Rapid cooling by dipping in solvent is not recommended.
- Complete removal of flux is recommended.

## Mounting

- Ensure that no thermo-mechanical stress occurs due to production processes (curing or overmolding processes) when thermistors are sealed, potted or overmolded or during their subsequent operation. The maximum temperature of the thermistor must not be exceeded. Ensure that the materials used (sealing/potting compound and plastic material) are chemically neutral.
- Electrodes/contacts must not be scratched or damaged before/during/after the mounting process.
- Contacts and housing used for assembly with the thermistor must be clean before mounting.
- Ensure that adjacent materials are designed for operation at temperatures comparable to the surface temperature of the thermistor. Be sure that surrounding parts and materials can withstand the temperature.
- Avoid contamination of the thermistor surface during processing.
- The connections of sensors (e.g. cable end, wire end, plug terminal) may only be exposed to an environment with normal atmospheric conditions.
- Tensile forces on cables or leads must be avoided during mounting and operation.
- Bending or twisting of cables or leads directly on the thermistor body is not permissible.
- Avoid using chemical substances as mounting aids. It must be ensured that no water or other liquids enter the NTC thermistors (e.g. through plug terminals). In particular, water based substances (e.g. soap suds) must not be used as mounting aids for sensors.

## Operation

- Use thermistors only within the specified operating temperature range.
- Use thermistors only within the specified power range.
- Environmental conditions must not harm the thermistors. Only use the thermistors under normal atmospheric conditions or within the specified conditions.
- Contact of NTC thermistors with any liquids and solvents should be prevented. It must be ensured that no water enters the NTC thermistors (e.g. through plug terminals). For measurement purposes (checking the specified resistance vs. temperature), the component must not be immersed in water but in suitable liquids (e.g. Galden).
- Avoid dewing and condensation unless thermistor is specified for these conditions.
- Bending or twisting of cables and/or wires is not permissible during operation of the sensor in the application.
- Be sure to provide an appropriate fail-safe function to prevent secondary product damage caused by malfunction.

This listing does not claim to be complete, but merely reflects the experience of EPCOS AG.



**Symbols and terms**

Symbol	English	German
A	Area	Fläche
AWG	American Wire Gauge	Amerikanische Norm für Drahtquerschnitte
B	B value	B-Wert
B <sub>25/100</sub>	B value determined by resistance measurement at 25 °C and 100 °C	B-Wert, ermittelt durch Widerstandsmessungen bei 25 °C und 100 °C
C <sub>th</sub>	Heat capacitance	Wärmekapazität
I	Current	Strom
N	Number (integer)	Anzahl (ganzzahliger Wert)
P <sub>25</sub>	Maximum power at 25 °C	Maximale Leistung bei 25 °C
P <sub>diss</sub>	Power dissipation	Verlustleistung
P <sub>ei</sub>	Electrical power	Elektrische Leistung
P <sub>max</sub>	Maximum power within stated temperature range	Maximale Leistung im angegebenen Temperaturbereich
$\Delta R_B/R_B$	Resistance tolerance caused by spread of B value	Widerstandstoleranz, die durch die Streuung des B-Wertes verursacht wird
R <sub>ins</sub>	Insulation resistance	Isolationswiderstand
R <sub>p</sub>	Parallel resistance	Parallelwiderstand
R <sub>R</sub>	Rated resistance	Nennwiderstand
$\Delta R_R/R_R$	Resistance tolerance	Widerstandstoleranz
R <sub>S</sub>	Series resistance	Serienwiderstand
R <sub>T</sub>	Resistance at temperature T (e.g. R <sub>25</sub> = resistance at 25 °C)	Widerstand bei Temperatur T (z.B. R <sub>25</sub> = Widerstand bei 25 °C)
T	Temperature	Temperatur
$\Delta T$	Temperature tolerance	Temperaturtoleranz
t	Time	Zeit
T <sub>A</sub>	Ambient temperature	Umgebungstemperatur
T <sub>max</sub>	Upper category temperature	Obere Grenztemperatur (Kategorietemperatur)
T <sub>min</sub>	Lower category temperature	Untere Grenztemperatur (Kategorietemperatur)
T <sub>op</sub>	Operating temperature	Betriebstemperatur
T <sub>R</sub>	Rated temperature	Nenntemperatur
T <sub>surf</sub>	Surface temperature	Oberflächentemperatur
V	Voltage	Spannung
V <sub>ins</sub>	Insulation test voltage	Isolationsprüfspannung
V <sub>op</sub>	Operating voltage	Betriebsspannung
V <sub>test</sub>	Test voltage	Prüfspannung

Symbol	English	German
$\alpha$	Temperature coefficient	Temperaturkoeffizient
$\Delta$	Tolerance, change	Toleranz, Änderung
$\delta_{th}$	Dissipation factor	Wärmeleitwert
$\tau_c$	Thermal cooling time constant	Thermische Abkühlzeitkonstante
$\tau_a$	Thermal time constant	Thermische Zeitkonstante

**Abbreviations / Notes**

Symbol	English	German
<b><u>SMD</u></b>	Surface-mounted devices	Oberflächenmontierbares Bauelement
*	To be replaced by a number in ordering codes, type designations etc.	Platzhalter für Zahl im Bestellnummerncode oder für die Typenbezeichnung.
+	To be replaced by a letter. All dimensions are given in mm. The commas used in numerical values denote decimal points.	Platzhalter für einen Buchstaben. Alle Maße sind in mm angegeben. Verwendete Kommas in Zahlenwerten bezeichnen Dezimalpunkte.

## Important notes

The following applies to all products named in this publication:

1. Some parts of this publication contain **statements about the suitability of our products for certain areas of application**. These statements are based on our knowledge of typical requirements that are often placed on our products in the areas of application concerned. We nevertheless expressly point out **that such statements cannot be regarded as binding statements about the suitability of our products for a particular customer application**. As a rule, EPCOS is either unfamiliar with individual customer applications or less familiar with them than the customers themselves. For these reasons, it is always ultimately incumbent on the customer to check and decide whether an EPCOS product with the properties described in the product specification is suitable for use in a particular customer application.
2. We also point out that **in individual cases, a malfunction of electronic components or failure before the end of their usual service life cannot be completely ruled out in the current state of the art, even if they are operated as specified**. In customer applications requiring a very high level of operational safety and especially in customer applications in which the malfunction or failure of an electronic component could endanger human life or health (e.g. in accident prevention or lifesaving systems), it must therefore be ensured by means of suitable design of the customer application or other action taken by the customer (e.g. installation of protective circuitry or redundancy) that no injury or damage is sustained by third parties in the event of malfunction or failure of an electronic component.
3. **The warnings, cautions and product-specific notes must be observed.**
4. In order to satisfy certain technical requirements, **some of the products described in this publication may contain substances subject to restrictions in certain jurisdictions (e.g. because they are classed as hazardous)**. Useful information on this will be found in our Material Data Sheets on the Internet ([www.epcos.com/material](http://www.epcos.com/material)). Should you have any more detailed questions, please contact our sales offices.
5. We constantly strive to improve our products. Consequently, **the products described in this publication may change from time to time**. The same is true of the corresponding product specifications. Please check therefore to what extent product descriptions and specifications contained in this publication are still applicable before or when you place an order. We also **reserve the right to discontinue production and delivery of products**. Consequently, we cannot guarantee that all products named in this publication will always be available. The aforementioned does not apply in the case of individual agreements deviating from the foregoing for customer-specific products.
6. Unless otherwise agreed in individual contracts, **all orders are subject to the current version of the "General Terms of Delivery for Products and Services in the Electrical Industry" published by the German Electrical and Electronics Industry Association (ZVEI)**.
7. The trade names EPCOS, BAOKE, Alu-X, CeraDiode, CSMP, CSSP, CTVS, DSSP, MiniBlue, MKK, MLSC, MotorCap, PCC, PhaseCap, PhaseCube, PhaseMod, SIFERRIT, SIFI, SIKOREL, SilverCap, SIMDAD, SIMID, SineFormer, SIOV, SIP5D, SIP5K, ThermoFuse, WindCap are **trademarks registered or pending** in Europe and in other countries. Further information will be found on the Internet at [www.epcos.com/trademarks](http://www.epcos.com/trademarks).