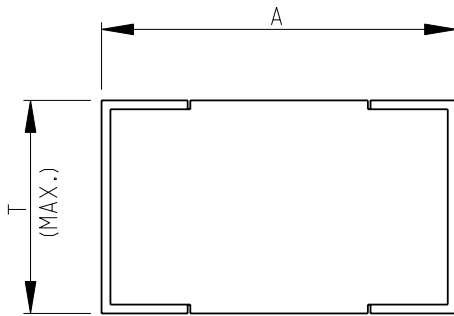
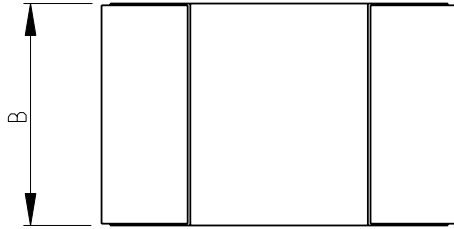
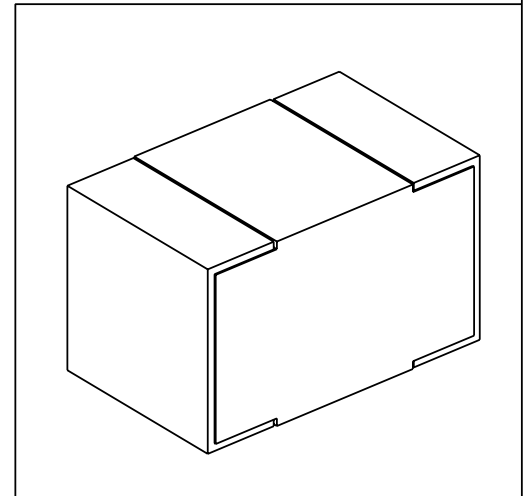


LOC	DIST	REVISIONS					
E	B	P	LTR	DESCRIPTION	DATE	DWN	APVD
			BA	NEW RELEASE	17-NOV-08	SM	St.P

FOR FURTHER INFORMATION SEE DATA SHEET FOR
8158 SERIES-THERMISTORS FOR SURFACE MOUNT



RoHS Compliant



8158-1206	3.2	1.6	1.2
8158-0805	2.0	1.25	1.2
CASE SIZE	A ±0.2	B ±0.2	T (MAX.)

2008

RELEASED FOR PUBLICATION

THIS DRAWING IS UNPUBLISHED.

© COPYRIGHT 2008 BY TYCO ELECTRONICS CORPORATION. ALL RIGHTS RESERVED.

DIMENSIONS: mm	DWN	SUBHASH.M	17-NOV-08	MATERIAL	-	FINISH	-
	CHK	PRAKASH.S	17-NOV-08	Tyco Electronics Corporation Dorcan, Swindon, SN3 5HH			
TOLERANCES UNLESS OTHERWISE SPECIFIED:	APVD	STEPHEN.P	17-NOV-08				
0 PLC ±0.2	PRODUCT SPEC	NAME THERMISTORS FOR SURFACE MOUNT SERIES 8158					
1 PLC ±0.1	APPLICATION SPEC						
2 PLC ±-	WEIGHT	-					
3 PLC ±-	SIZE	A 4	CAGE CODE	00779	DRAWING NO	©= 1624328	
4 PLC ±-	RESTRICTED TO	-					
ANGLES ±5°	SCALE	25:1		SHEET	1	OF	1
	CUSTOMER DRAWING	REV BA					