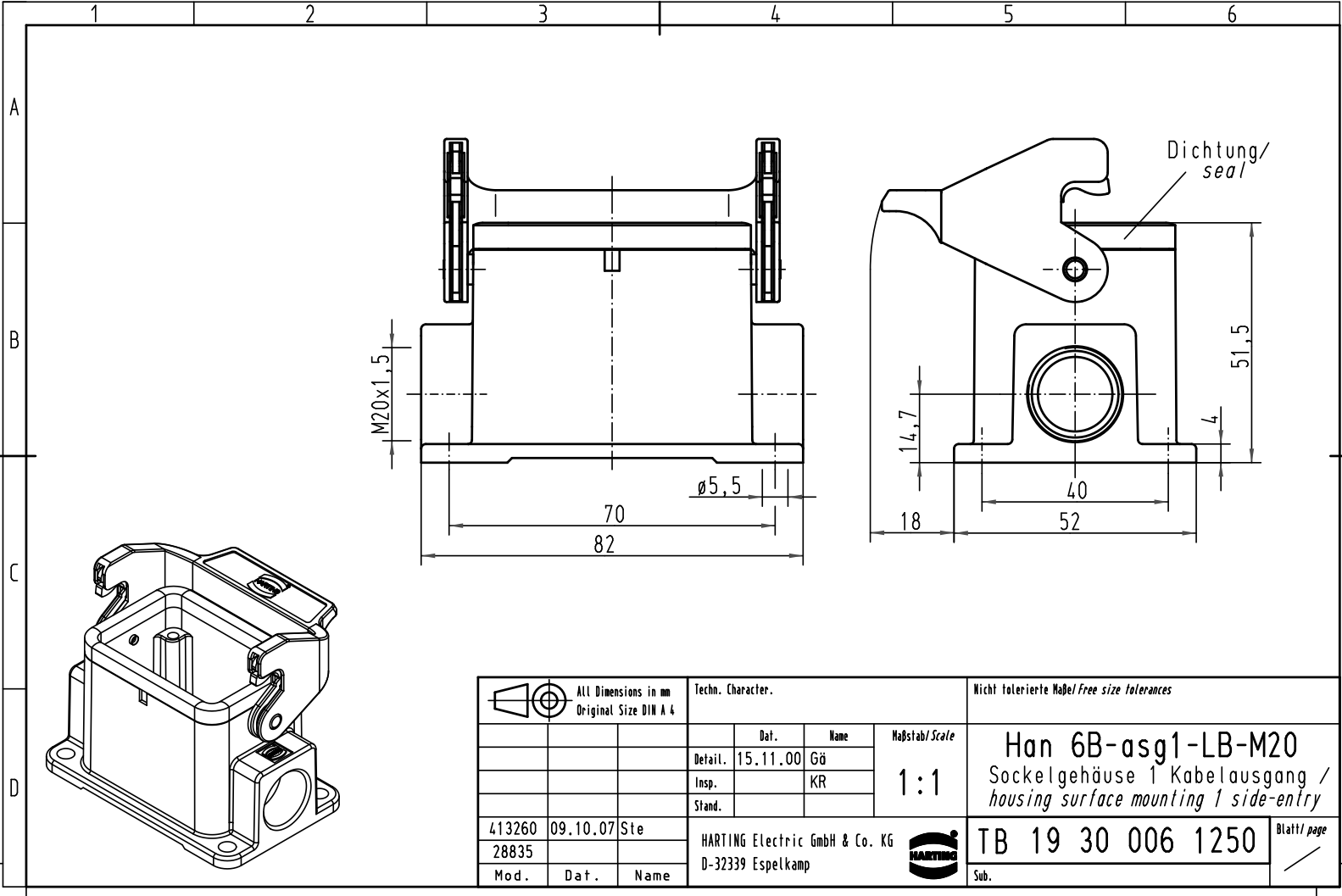


Alle Rechte vorbehalten/ All rights reserved



|   |          |                   |                                |          |   |  |    |
|---|----------|-------------------|--------------------------------|----------|---|--|----|
| All Dimensions in mm<br>Original Size DIN A 4 |          | Techn. Character. |                                |          | Nicht tolerierte Maß/Free size tolerances |  |    |
|   |          |                   | Dat.                           | Name     | Maßstab/Scale<br><b>1:1</b>               | <b>Han 6B-asg1-LB-M20</b><br>Sockelgehäuse 1 Kabelausgang /<br>housing surface mounting 1 side-entry |    |
|   |          |                   | Detail.                        | 15.11.00 |   |  | Gü |
|   |          |                   | Insp.                          |          |   |  | KR |
|   |          |                   | Stand.                         |          |   |  |    |
| 413260  | 09.10.07 | Ste               | HARTING Electric GmbH & Co. KG |          |   | <b>TB 19 30 006 1250</b><br>Sub.   |    |
| 28835   |          |                   | D-32339 Espelkamp              |          |   |  |    |
| Mod.  | Dat.     | Name              |                                |          |   | Blatt/ page  |    |