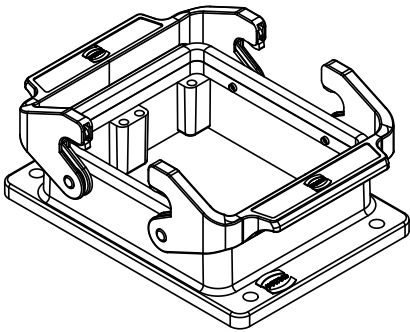
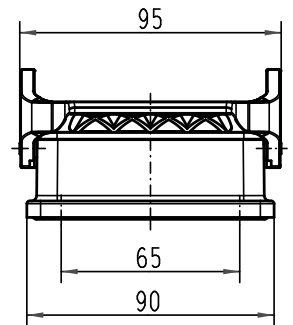
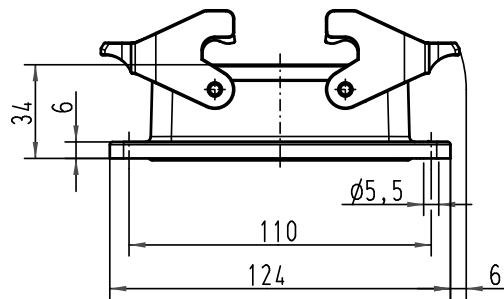
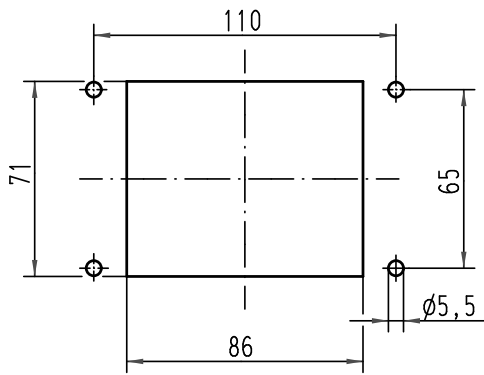




Alle Rechte vorbehalten/ All rights reserved

Montageausschnitt/
panel cut out



|  All Dimensions in mm Original Size DIN A 4 | | | Techn. Character. | | | Nicht tolerierte Maß/Free size tolerances | |
|---|----------|------|--------------------------------|--------|---|--|------------|
| | | | Dat. | Name | Maßstab/Scale | Han 32B-agg-QB Anbaugehäuse/ <i>housing bulkhead mounting</i> | |
| | | | Detail. | PENNER | | | |
| | | | Insp. | HERB | | | |
| 413164 | 30.08.07 | Ho | Stand. | NÖTZEL | | | |
| 411137 | 12.07.04 | ML | HARTING Electric GmbH & Co. KG | | | | |
| 24826 | 30.11.98 | PL | D-32339 Espelkamp | |  | | Blatt/page |
| Mod. | Dat. | Name | | | | | |