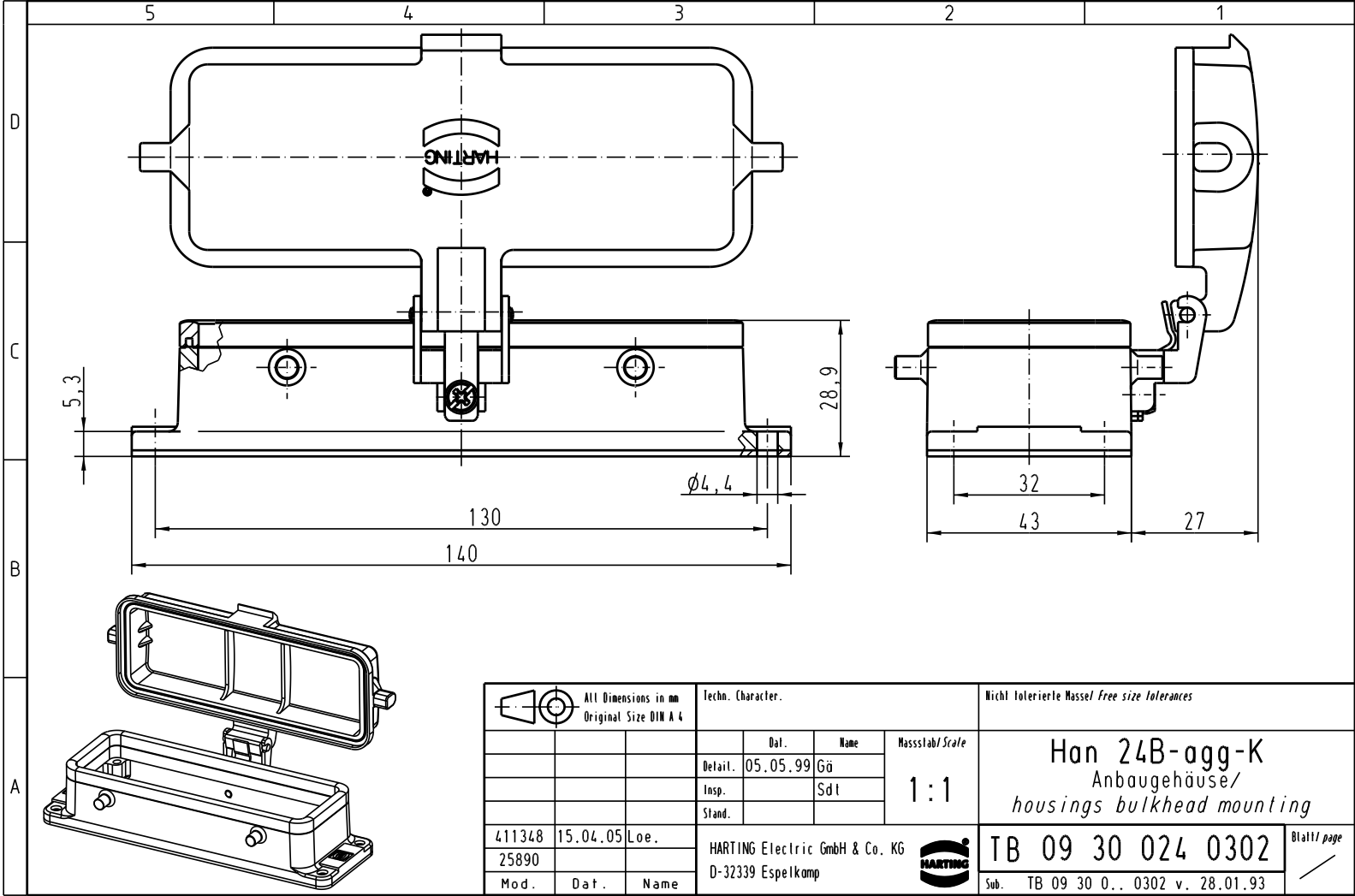


Alle Rechte vorbehalten / All rights reserved



| | | | | | | | |
|-----------------------------------------------|----------|-------------------|--------------------------------|----------|-----------------------------------------------|-----------------------------------------------------------------------|-----|
| All Dimensions in mm Original Size DIN A 4 | | Techn. Character. | | | Nicht tolerierte Masse / free size tolerances | | |
| | | | Dat. | Name | Massestab / Scale 1:1 | Han 24B-agg-K Anbaugeschäfte/ housings bulkhead mounting | |
| | | | Detail. | 05.05.99 | | | Gü |
| | | | Insp. | | | | Sdt |
| | | | Stand. | | | | |
| 411348 | 15.04.05 | Loe. | HARTING Electric GmbH & Co. KG | | | TB 09 30 024 0302 Sub. TB 09 30 0.. 0302 v. 28.01.93 | |
| 25890 | | | D-32339 Espelkamp | | | | |
| Mod. | Dat. | Name | | | | | |
| | | | | | | Blatt / page | |