

COUNT	DESCRIPTION OF REVISIONS	BY	CHKD	DATE	COUNT	DESCRIPTION OF REVISIONS	BY	CHKD	DATE

Fig-1 REELING(FREE)

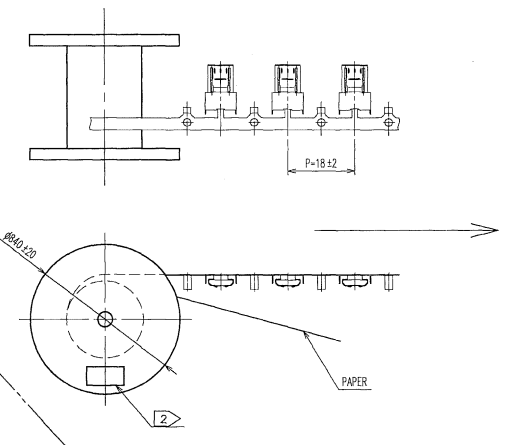
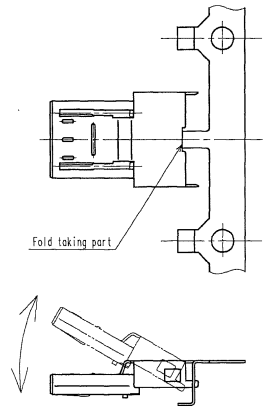


Fig-2 CUT OFF A CAREER(FREE)



- NOTE 1 This is delivered by a reel.QTY:4000pcs.
 2 Shown on a reel and a box is ; *Part No. *, *Code No. *, *Lot No. *, *QTY*
 3 Cut off a career as shown in Fig-2.

CODE NO. (OLD)	1		Nickel 0.1 μm min.	
	NO.	MATERIAL	FINISH	REMARKS

DRAWN <i>P. Sakagawa</i> 07.03.06	DESIGNED <i>T. Sakagawa</i> 07.03.06	CHECKED <i>H. Tomoda</i> 07.03.06	APPROVED <i>[Signature]</i> 07.03.06	RELEASED ENG 07.06.18 DEPT
DRAWING NO. EDC3-126148		PART NO. ZX20-B-SLDC		
UNITS mm		CODE NO. CL242-0022-1		1/1

TO