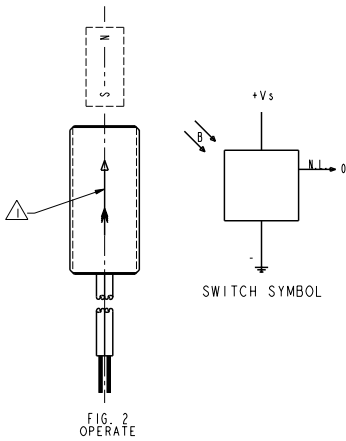
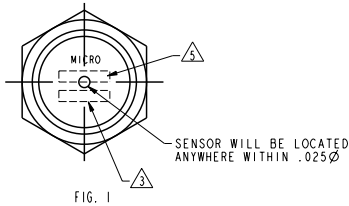
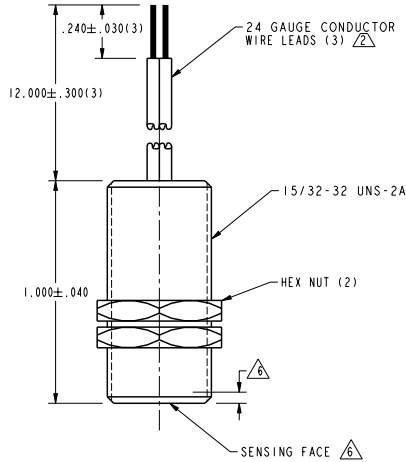


6 TO 24 VDC SOURCING UNIPOLAR DEVICE

103SR12A-4



OPERATING CHARACTERISTICS

GAUSS	
OPERATE MAX	495
RELEASE MIN	120
DIFF MIN	40

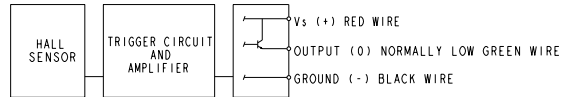
ABSOLUTE MAXIMUM RATINGS

SUPPLY VOLTAGE (Vs)	-1.2 VDC TO +24.0 VDC
VOLTAGE EXTERNALLY APPLIED TO OUTPUT	+6.5 VOLTS DC MAX WITH SWITCH IN "OFF" CONDITION ONLY (Vs +4) VOLTS MAX WITH SWITCH IN "ON" CONDITION
OUTPUT CURRENT	40 mA (SOURCE PER OUTPUT)
TEMPERATURE OPERATE AND STORAGE	-40°C TO 100°C
MAGNETIC FLUX	NO LIMIT, THE CIRCUIT CANNOT BE DAMAGED BY MAGNETIC OVERDRIVE

ELECTRICAL CHARACTERISTICS

	MIN	TYP	MAX	REMARKS
SUPPLY CURRENT		3 mA 5 mA	6.5 mA 10.0 mA	Vs=6V Vs=16V OFF CONDITION
OUTPUT VOLTAGE (OPERATED)	Vs - 2 VOLTS	Vs - 1.5 VOLTS		SOURCING 20 mA PER OUTPUT
OUTPUT LEAKAGE CURRENT (RELEASED)			20 μA	LEAKAGE INTO SWITCH OUTPUT
OUTPUT SWITCHING TIME (SOURCING 20 mA)				
RISE TIME		0.2 μ SEC	1.5 μ SEC	10% TO 90%
FALL TIME		0.1 μ SEC	0.5 μ SEC	90% TO 10%

NOTE: THIS DEVICE IS NOT PROTECTED AGAINST HIGH ELECTRICAL NOISE. IF ERRATIC OPERATION OCCURS AFTER INSTALLATION INSTALL A CAPACITOR ACROSS THE INPUT TERMINALS (0.1 MFD). IF ERRATIC OPERATION CONTINUES YOU MAY HAVE TO USE THE INDUSTRIAL DEVICES THAT MICRO SWITCH MANUFACTURES. PLEASE CONTACT YOUR LOCAL FIELD REPRESENTATIVE FOR INFORMATION



BLOCK DIAGRAM SHOWING CURRENT SOURCING OUTPUTS

NOTES

- ▲ FLUX ENTERING THE SOUTH POLE OF THE MAGNET WILL OPERATE THE SENSOR WHEN MAGNET IS POSITIONED AS SHOWN IN FIGURE 2. THIS ASSUMES THE CONVENTION THAT THE DIRECTION OF THE EXTERNAL FLUX OF A MAGNET IS FROM THE NORTH TO THE SOUTH POLE OF THE MAGNET
- ▲ LEADWIRES (INDIVIDUAL WIRES) ARE 24 GAGE STRANDED WITH IRRADIATED POLYETHYLENE INSULATION
- ▲ DATE CODE LOCATED IN THIS AREA
- ▲ FROM -40°C TO 100°C AND 6 TO 24 VOLTS
- ▲ CATALOG LISTING LOCATED IN THIS AREA
- ▲ SENSITIVE AREA IS LOCATED .050 BEHIND THE SENSING FACE
- ▲ Vs IS THE UNREGULATED SUPPLY VOLTAGE

THIRD ANGLE PROJECTION		
SCALE 3 : 1		
DO NOT SCALE PRINT		
UNLESS OTHERWISE SPECIFIED TOLERANCES ARE		
ONE PLACE	(.01)	±.030
TWO PLACES	(.001)	±.015
THREE PLACES	(.0001)	±.005
ANGLES		±
WEIGHT		

THIS DRAWING COVERS A PROPRIETARY ITEM AND IS THE PROPERTY OF MICRO SWITCH, A DIVISION OF HONEYWELL. THIS DRAWING IS NOT TO BE COPIED OR USED WITHOUT THE APPROVAL OF MICRO SWITCH.

MICRO SWITCH  
a Honeywell Division

MAGNETICALLY OPERATED CYLINDRICAL HALL SWITCH

CATALOG LISTING  
103SR12A-4

ANSI Y14.5M-1982 APPLIES

103SR12A-4  
 ISSUE 10  
 REVISIONS  
 A CORRECTION  
 DATE 27 JUL 83  
 TSM JNF 27 JUL 83  
 PTC/CAD 20  
 DATE 27 JUL 83