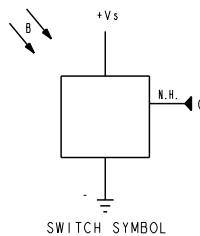
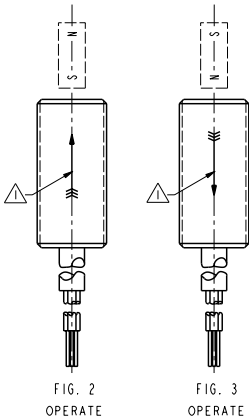
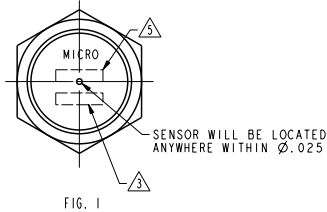
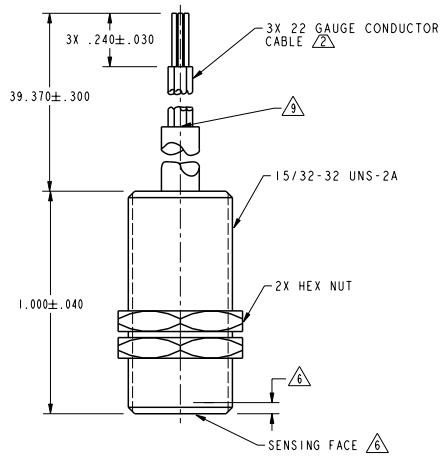


4.5 TO 24 VDC BIPOLAR DEVICE

103SR17A-2



OPERATING CHARACTERISTICS

GAUSS	
OPERATE MAX	205
RELEASE MIN	-205
DIFF MIN	35

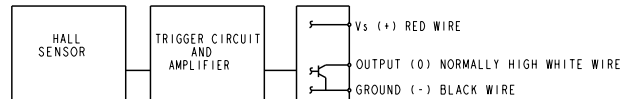
ABSOLUTE MAXIMUM RATINGS

SUPPLY VOLTAGE (Vs)	-1.0 VDC TO +25.0 VDC
VOLTAGE EXTERNALLY APPLIED TO OUTPUT	+25 VOLTS DC MAX WITH SWITCH IN "OFF" CONDITION ONLY -0.5 VOLTS MAX WITH SWITCH IN "OFF" OR "ON" CONDITION
OUTPUT CURRENT	20 mA (SINK PER OUTPUT)
TEMPERATURE OPERATE AND STORAGE	-40° C TO 100° C
MAGNETIC FLUX	NO LIMIT, THE CIRCUIT CANNOT BE DAMAGED BY MAGNETIC OVERDRIVE

ELECTRICAL CHARACTERISTICS

	MIN	TYP	MAX	REMARKS
SUPPLY CURRENT				ON CONDITION
OUTPUT VOLTAGE (OPERATED)			10.0mA 0.4V	SINKING 20 mA PER OUTPUT
OUTPUT LEAKAGE CURRENT (RELEASED)			20µ A	LEAKAGE INTO SWITCH OUTPUT
OUTPUT SWITCHING TIME (SINKING 20 mA)				
RISE TIME			1.5µ SEC	10% TO 90%
FALL TIME			0.5µ SEC	90% TO 10%

NOTE: THIS DEVICE IS NOT PROTECTED AGAINST HIGH ELECTRICAL NOISE. IF ERRATIC OPERATION OCCURS AFTER INSTALLATION, INSTALL A CAPACITOR ACROSS THE INPUT TERMINALS (0.1 MFD). IF ERRATIC OPERATION CONTINUES, YOU MAY HAVE TO USE THE INDUSTRIAL DEVICES THAT MICRO SWITCH MANUFACTURES. PLEASE CONTACT YOUR LOCAL FIELD REPRESENTATIVE FOR INFORMATION.



BLOCK DIAGRAM SHOWING CURRENT SINKING OUTPUTS

NOTES

- 1. FLUX ENTERING THE SOUTH POLE OF THE MAGNET WILL OPERATE THE SENSOR WHEN MAGNET IS POSITIONED AS SHOWN IN FIGURE 2. THIS ASSUMES THE CONVENTION THAT THE DIRECTION OF THE EXTERNAL FLUX OF A MAGNET IS FROM THE NORTH TO THE SOUTH POLE OF THE MAGNET. BIPOLAR DEVICES REQUIRE THE PRESENTATION OF BOTH SOUTH AND NORTH POLES IN ORDER TO ENSURE SENSORS OPERATE AND RELEASE RESPECTIVELY (FIGURES 2 & 3)
- 2. 22-GAUGE WITH XLPE INSULATED CONDUCTORS WITH MOLDED PVC JACKET
- 3. DATE CODE LOCATED IN THIS AREA
- 4. FROM -40° C TO 100° C AND 4.5 TO 24 VOLTS
- 5. CATALOG LISTING LOCATED IN THIS AREA
- 6. SENSITIVE AREA IS LOCATED .050 BEHIND THE SENSING FACE AT 24 ± 2° C
- 7. Vs IS THE UNREGULATED SUPPLY VOLTAGE
- 8. JACKET IS CUT BACK 1.37 INCHES FROM FREE END OF LEADS



THIRD ANGLE PROJECTION		
SCALE	3:1	
DO NOT SCALE PRINT		
UNLESS OTHERWISE SPECIFIED TOLERANCES ARE		
ONE PLACE	(.01)	±.030
TWO PLACES	(.001)	±.015
THREE PLACES	(.0001)	±.005
ANGLES		±
WEIGHT		

THIS DRAWING COVERS A PROPRIETARY ITEM AND IS THE PROPERTY OF MICRO SWITCH, A DIVISION OF HONEYWELL. THIS DRAWING IS NOT TO BE COPIED OR USED WITHOUT THE APPROVAL OF MICRO SWITCH.

MICROSWITCH
a Honeywell Division

MAGNETICALLY
OPERATED CYLINDRICAL
HALL SWITCH

CATALOG LISTING
103SR17A-2

FED. MFG. CODE 91229

ANSI Y14.5M-1982 APPLIES

103SR17A-2
 REVISIONS
 A 209742
 JAS T JDECB8
 28DEC89
 DWB
 PTC/CAD 20
 09