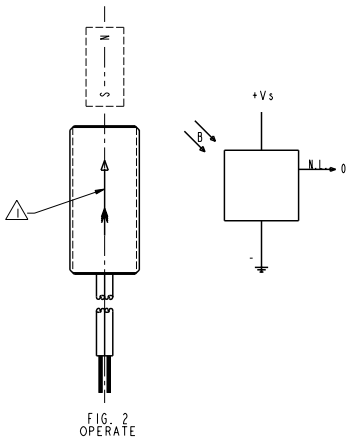
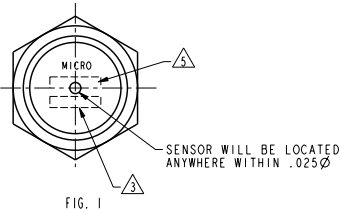
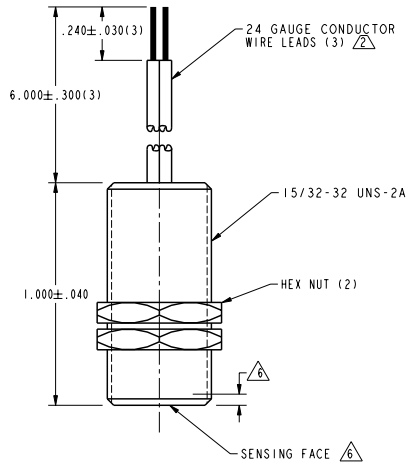


6 TO 24 VDC SOURCING UNIPOLAR DEVICE

103SR12A-1



OPERATING CHARACTERISTICS

GAUSS	
OPERATE MAX	495
RELEASE MIN	120
DIFF MIN	40

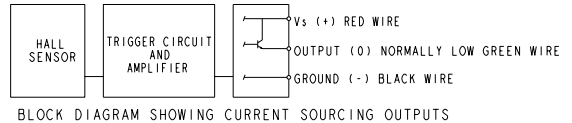
ABSOLUTE MAXIMUM RATINGS

SUPPLY VOLTAGE (Vs)	-1.2 VDC TO +24.0 VDC
VOLTAGE EXTERNALLY APPLIED TO OUTPUT	+6.5 VOLTS DC MAX WITH SWITCH IN "OFF" CONDITION ONLY (Vs +4) VOLTS MAX WITH SWITCH IN "ON" CONDITION
OUTPUT CURRENT	40 mA (SOURCING PER OUTPUT)
TEMPERATURE	-40°C TO 100°C
OPERATE AND STORAGE	
MAGNETIC FLUX	NO LIMIT, THE CIRCUIT CANNOT BE DAMAGED BY MAGNETIC OVERDRIVE

ELECTRICAL CHARACTERISTICS

	MIN	TYP	MAX	REMARKS
SUPPLY CURRENT (OPERATED)		3 mA	6.5 mA	Vs=6V Vs=16V OFF CONDITION
OUTPUT VOLTAGE (VOLTS)	Vs - 2	Vs - 1.5	10.0 mA	SOURCING 20 mA PER OUTPUT
OUTPUT LEAKAGE CURRENT (RELEASED)			20 µA	LEAKAGE INTO SWITCH OUTPUT
OUTPUT SWITCHING TIME (SOURCING 20 mA)				
RISE TIME	0.2 µ SEC		1.5 µ SEC	10% TO 90%
FALL TIME	0.1 µ SEC		0.5 µ SEC	90% TO 10%

NOTE: THIS DEVICE IS NOT PROTECTED AGAINST HIGH ELECTRICAL NOISE. IF ERRATIC OPERATION OCCURS AFTER INSTALLATION INSTALL A CAPACITOR ACROSS THE INPUT TERMINALS (0.1 MFD). IF ERRATIC OPERATION CONTINUES YOU MAY HAVE TO USE THE INDUSTRIAL DEVICES THAT MICRO SWITCH MANUFACTURES. PLEASE CONTACT YOUR LOCAL FIELD REPRESENTATIVE FOR INFORMATION



- NOTES
- A FLUX ENTERING THE SOUTH POLE OF THE MAGNET WILL OPERATE THE SENSOR WHEN MAGNET IS POSITIONED AS SHOWN IN FIGURE 2. THIS ASSUMES THE CONVENTION THAT THE DIRECTION OF THE EXTERNAL FLUX OF A MAGNET IS FROM THE NORTH TO THE SOUTH POLE OF THE MAGNET
 - B LEADWIRES (INDIVIDUAL WIRES) ARE 24 GAGE STRANDED WITH IRRADIATED POLYETHYLENE INSULATION DATE CODE LOCATED IN THIS AREA
 - C FROM -40°C TO 100°C AND 6 TO 24 VOLTS
 - D CATALOG LISTING LOCATED IN THIS AREA
 - E SENSITIVE AREA IS LOCATED .050 BEHIND THE SENSING FACE
 - F Vs IS THE UNREGULATED SUPPLY VOLTAGE

THIRD ANGLE PROJECTION		
SCALE 3 : 1		
DO NOT SCALE PRINT		
UNLESS OTHERWISE SPECIFIED TOLERANCES ARE		
ONE PLACE	(.01)	±.030
TWO PLACES	(.001)	±.015
THREE PLACES	(.0001)	±.005
ANGLES		±
WEIGHT		

THIS DRAWING COVERS A PROPRIETARY ITEM AND IS THE PROPERTY OF MICRO SWITCH, A DIVISION OF HONEYWELL. THIS DRAWING IS NOT TO BE COPIED OR USED WITHOUT THE APPROVAL OF MICRO SWITCH.		
MICRO SWITCH a Honeywell Division	MAGNETICALLY OPERATED CYLINDRICAL HALL SWITCH	CATALOG LISTING 103SR12A-1
ANSI Y14.5M-1992 APPLIED		
FED. MFG. CODE 91829		

PTC/CAD 20
 TSN 26JUL93
 JNF
 26JUL93
 103SR12A-1
 REVISIONS
 A CORRECTION
 26JUL93
 ISSUE 11
 01
 103SR12A-1
 26JUL93
 REVISED TO PR-4252