

SR4P3-C2
 19 JUL 83
 JNF
 19 JUL 83
 JNF
 19 JUL 83
 JNF
 19 JUL 83
 JNF

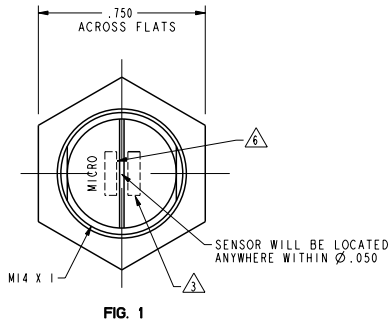
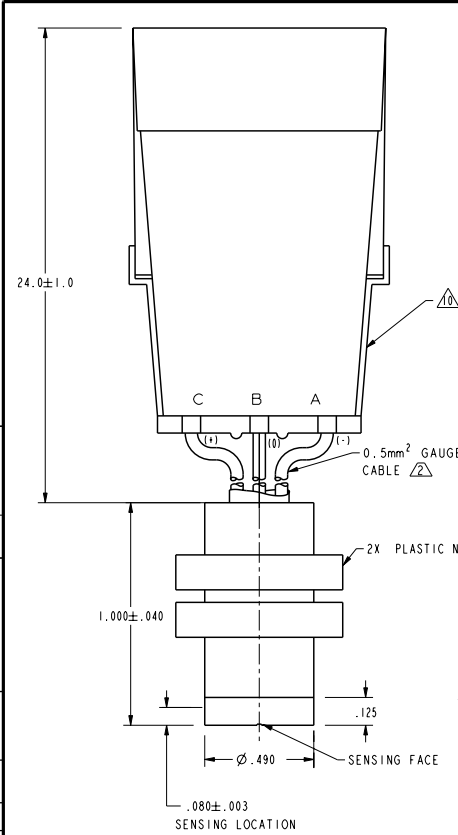


FIG. 2 OPERATE

OPERATING CHARACTERISTICS

OPERATE MAX	25 GAUSS
RELEASE MIN	5 GAUSS
DIFF MIN	2 GAUSS
(TEMP RANGE)	-40°C TO 85°C

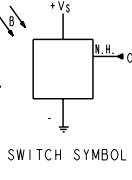
SR4P3-C2

ABSOLUTE MAXIMUM RATINGS

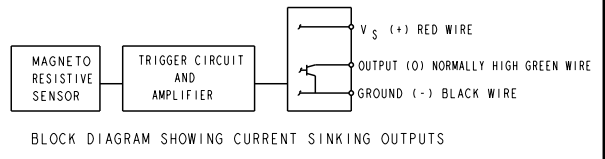
SUPPLY VOLTAGE (V _S)	3.8 VDC TO 30 VDC
VOLTAGE EXTERNALLY APPLIED TO OUTPUT	+30 VOLTS DC MAX WITH SWITCH IN "OFF" CONDITION ONLY -0.5 VOLTS MAX WITH SWITCH IN "OFF" OR "ON" CONDITION
OUTPUT CURRENT	20 mA
TEMPERATURE OPERATE AND STORAGE	-40°C TO 85°C
MAGNETIC FLUX	NO LIMIT, THE CIRCUIT CANNOT BE DAMAGED BY MAGNETIC OVERDRIVE

ELECTRICAL CHARACTERISTICS

	MIN	TYP	MAX	REMARKS
SUPPLY CURRENT		6.0 mA	11.0 mA	V _S = 3.8-30 VOLTS
OUTPUT VOLTAGE (OPERATED)		0.25 V	0.4 V	SINKING 20 mA MAX
OUTPUT LEAKAGE CURRENT (RELEASED)			10 μA	LEAKAGE INTO SWITCH OUTPUT
OUTPUT SWITCHING TIME				
RISE TIME		0.2 μ SEC	1.5 μ SEC	10% TO 90%
FALL TIME		0.1 μ SEC	1.5 μ SEC	90% TO 10%



SWITCH SYMBOL



BLOCK DIAGRAM SHOWING CURRENT SINKING OUTPUTS

- NOTES
- 1 FLUX ENTERING THE SOUTH POLE OR THE NORTH POLE OF THE MAGNET WILL OPERATE THE SENSOR WHEN MAGNET IS POSITIONED AS SHOWN IN FIGURE 2. THIS ASSUMES THE CONVENTION THAT THE DIRECTION OF THE EXTERNAL FLUX OF A MAGNET IS FROM THE NORTH TO THE SOUTH POLE OF THE MAGNET
 - 2 0.5mm² GAUGE PVC INSULATED CONDUCTORS WITH MOLDED PVC JACKET
 - 3 DATE CODE LOCATED IN THIS AREA
 - 4 SUPPLY CURRENT RATINGS MEASURED AT TEMPERATURES INDICATED "TYP" 24°C ± 2°C "MAX" -40°C TO 85°C
 - 5 AT SUPPLY VOLTAGE OF 3.8 TO 30 VOLTS AND TEMPERATURE RANGE OF -40 TO 85°C
 - 6 CATALOG LISTING LOCATED IN THIS AREA
 - 7 V_S IS THE UNREGULATED SUPPLY VOLTAGE
 - 8 TORQUE ON PLASTIC NUTS MUST NOT EXCEED 12 INCH POUNDS
 - 9 THE MAGNETIC CHARACTERISTICS OF THE SWITCH MAY BE AFFECTED BY STRAY MAGNETIC FIELDS
 - 10 PACKARD ELECTRIC WEATHER PACK CONNECTOR INCLUDING CONNECTOR HOUSING NO. I2010717

THIRD ANGLE PROJECTION		
SCALE	3 : 1	
DO NOT SCALE PRINT		
UNLESS OTHERWISE SPECIFIED TOLERANCES ARE		
ONE PLACE	(.01)	±.030
TWO PLACES	(.001)	±.015
THREE PLACES	(.000)	±.005
ANGLES		±
WEIGHT		

THIS DRAWING COVERS A PROPRIETARY ITEM AND IS THE PROPERTY OF MICRO SWITCH, A DIVISION OF HONEYWELL. THIS DRAWING IS NOT TO BE COPIED OR USED WITHOUT THE APPROVAL OF MICRO SWITCH.

MICRO SWITCH a Honeywell Division FED. MFG. CODE 9129	MAGNETICALLY OPERATED CYLINDRICAL MAGNETO RESISTIVE SWITCH	CATALOG LISTING SR4P3-C2
---	--	------------------------------------

ANSI Y14.5M-1982 APPLIES