

5 VDC UNIPOLAR SOURCING DEVICE

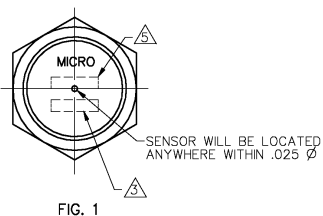
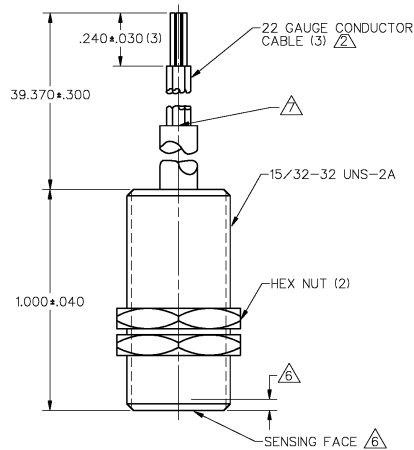


FIG. 1

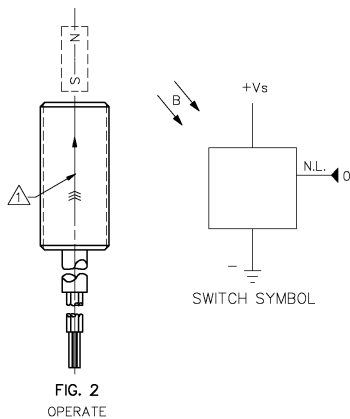


FIG. 2
OPERATE

OPERATING CHARACTERISTICS

GAUSS	
OPERATE MAX	735
RELEASE MIN	25
DIFF MIN	50

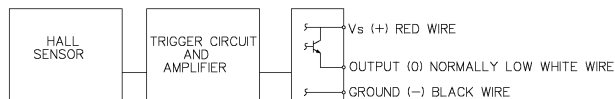
ABSOLUTE MAXIMUM RATINGS

SUPPLY VOLTAGE (Vs)	-1.2 VDC +10.0 VDC
VOLTAGE EXTERNALLY APPLIED TO OUTPUT	-0.5 VOLTS DC MAX WITH SWITCH IN "OFF" CONDITION ONLY +6.5 VOLTS MAX WITH SWITCH IN "OFF" OR "ON" CONDITION
OUTPUT CURRENT	40 mA (SOURCE PER OUTPUT)
TEMPERATURE OPERATE AND STORAGE	-40°C TO 85°C
MAGNETIC FLUX	NO LIMIT, THE CIRCUIT CANNOT BE DAMAGED BY MAGNETIC OVERDRIVE

ELECTRICAL CHARACTERISTICS

	MIN	TYP	MAX	REMARKS
SUPPLY CURRENT		2.5mA	4.0 mA	OFF CONDITION
OUTPUT VOLTAGE (OPERATED)	3.4V	3.5V	3.6 V	SOURCING 20 mA PER OUTPUT
OUTPUT LEAKAGE CURRENT (RELEASED)			10 μA	LEAKAGE INTO SWITCH OUTPUT
OUTPUT SWITCHING TIME (SOURCING 20 mA)				
RISE TIME		0.2 μSEC	1.5 μSEC	10% TO 90%
FALL TIME		0.1 μSEC	0.5 μSEC	90% TO 10%

NOTE: THIS DEVICE IS NOT PROTECTED AGAINST HIGH ELECTRICAL NOISE. IF ERRATIC OPERATION OCCURS AFTER INSTALLATION, INSTALL A CAPACITOR ACROSS THE INPUT TERMINALS (0.1 MFD). IF ERRATIC OPERATION CONTINUES, YOU MAY HAVE TO USE THE INDUSTRIAL DEVICES THAT MICRO SWITCH MANUFACTURES. PLEASE CONTACT YOUR LOCAL FIELD REPRESENTATIVE FOR INFORMATION.



BLOCK DIAGRAM SHOWING CURRENT SOURCING OUTPUTS

NOTES

- ▲ FLUX ENTERING THE SOUTH POLE OF THE MAGNET WILL OPERATE THE SENSOR WHEN MAGNET IS POSITIONED AS SHOWN IN FIGURE 2. THIS ASSUMES THE CONVENTION THAT THE DIRECTION OF THE EXTERNAL FLUX OF A MAGNET IS FROM THE NORTH TO THE SOUTH POLE OF THE MAGNET
- ▲ 22 GAUGE PVC INSULATED CONDUCTORS WITH A MOLDED PVC JACKET
- ▲ DATE CODE LOCATED IN THIS AREA
- ▲ FROM 0°C TO 70°C AND 4.5 TO 5.5 VOLTS
- ▲ CATALOG LISTING LOCATED IN THIS AREA
- ▲ SENSITIVE AREA IS LOCATED .050 BEHIND THE SENSING FACE
- ▲ JACKET IS CUT BACK 1.37 INCHES FROM FREE END OF LEADS

103SR11A-2
 DRAWING NUMBER
 5
 REVISIONS
 A 0044722
 1/22/89
 J. A. ST. DEC 83
 DDM/CAD
 DATE

THIS DRAWING COVERS A PROPRIETARY ITEM AND IS THE PROPERTY OF MICRO SWITCH, A DIVISION OF HONEYWELL. THIS DRAWING IS NOT TO BE COPIED OR USED WITHOUT THE APPROVAL OF MICRO SWITCH.		THIRD ANGLE PROJECTION
MICRO SWITCH a Honeywell Division FED. MFG. CODE #1829	MAGNETICALLY OPERATED CYLINDRICAL HALL SWITCH	SCALE 3 : 1
		DO NOT SCALE PRINT UNLESS OTHERWISE SPECIFIED TOLERANCES ARE ONE PLACE (.0) ±.030 TWO PLACES (.00) ±.015 THREE PLACES (.000) ±.005 ANGLES ±
CATALOG LISTING 103SR11A-2		WEIGHT