

DRAWING NUMBER: SR4P3-B10
 PAGE 1 OF 1
 RELEASE NO.: RR-20865
 EXPLAINS: X101472-SR
 ISSUE: 1
 REVISIONS:
 DDW/CAD
 J.A.S. 14 JUL 88
 J.A.F. 15 JUL 88
 CHECK:

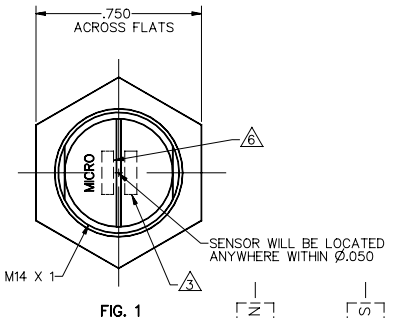
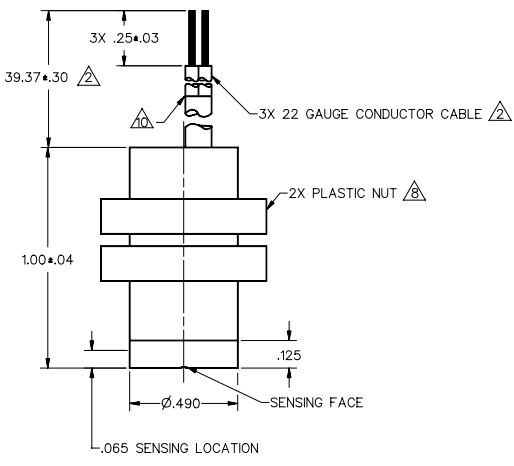


FIG. 1

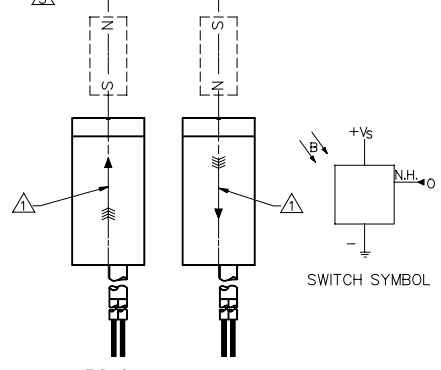


FIG. 2
OPERATE

OPERATING CHARACTERISTICS

OPERATE MAX	25 GAUSS
RELEASE MIN	5 GAUSS
DIFF MIN	2 GAUSS
(TEMP RANGE	-20°C TO 85°C)

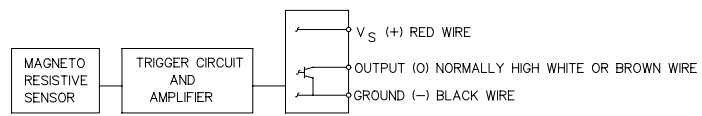
M SR4P3-B10

ABSOLUTE MAXIMUM RATINGS

SUPPLY VOLTAGE (V _S)	4.5 VDC TO 30 VDC
VOLTAGE EXTERNALLY APPLIED TO OUTPUT	+24 VOLTS DC MAX WITH SWITCH IN "OFF" CONDITION ONLY -0.5 VOLTS MAX WITH SWITCH IN "OFF" OR "ON" CONDITION
OUTPUT CURRENT	20 mA
TEMPERATURE OPERATE AND STORAGE	-40°C TO 85°C
MAGNETIC FLUX	NO LIMIT, THE CIRCUIT CANNOT BE DAMAGED BY MAGNETIC OVERDRIVE

ELECTRICAL CHARACTERISTICS

	MIN	TYP	MAX	REMARKS
SUPPLY CURRENT		6.0 mA	13.5 mA	V _S = 6-24 VOLTS
OUTPUT VOLTAGE (OPERATED)		0.25 V	0.4 V	SINKING 20 mA MAX
OUTPUT LEAKAGE CURRENT (RELEASED)			10 μA	LEAKAGE INTO SWITCH OUTPUT
OUTPUT SWITCHING TIME				
RISE TIME		0.2 μ SEC	1.5 μ SEC	10% TO 90%
FALL TIME		0.1 μ SEC	0.5 μ SEC	90% TO 10%



BLOCK DIAGRAM SHOWING CURRENT SINKING OUTPUTS

- NOTES
- 1 FLUX ENTERING THE SOUTH POLE OR THE NORTH POLE OF THE MAGNET WILL OPERATE THE SENSOR WHEN MAGNET IS POSITIONED AS SHOWN IN FIGURE 2. THIS ASSUMES THE CONVENTION THAT THE DIRECTION OF THE EXTERNAL FLUX OF A MAGNET IS FROM THE NORTH TO THE SOUTH POLE OF THE MAGNET
 - 2 22 GAUGE PVC INSULATED CONDUCTORS WITH MOLDED PVC JACKET
 - 3 DATE CODE LOCATED IN THIS AREA
 - 4 AT 24±2°C
 - 5 AT SUPPLY VOLTAGE OF 4.5 TO 30 VOLTS AND FULL TEMPERATURE RANGE
 - 6 CATALOG LISTING LOCATED IN THIS AREA
 - 7 V_S IS THE UNREGULATED SUPPLY VOLTAGE
 - 8 TORQUE ON PLASTIC NUTS MUST NOT EXCEED 12 INCH POUNDS
 - 9 - THE MAGNETIC CHARACTERISTICS OF THE SWITCH MAY BE AFFECTED BY STRAY MAGNETIC FIELDS
 - 10 JACKET IS CUT BACK 1.37 FROM FREE END OF LEADS

MASTER REDUCED
ANSI Y14.5M-1982 APPLIES

MICRO SWITCH a Honeywell Division <small>FED. WFO. CODE 91829</small>	MAGNETICALLY OPERATED CYLINDRICAL HALL SWITCH	CATALOG LISTING SR4P3-B10
		THIRD ANGLE PROJECTION SCALE 3:1 DO NOT SCALE PRINT UNLESS OTHERWISE SPECIFIED TOLERANCES ARE ONE PLACE (.0) ±.030 TWO PLACES (.00) ±.015 THREE PLACES (.000) ±.005 ANGLES ± WEIGHT