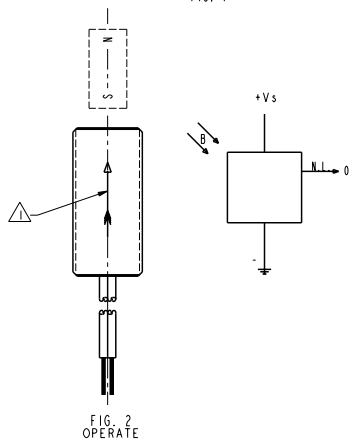
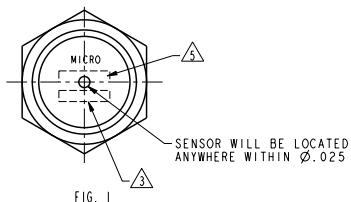
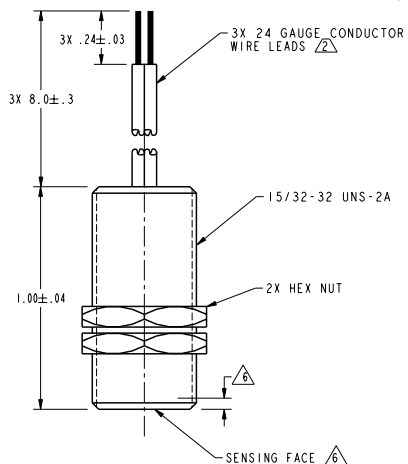


5 VDC SOURCING UNIPOLAR DEVICE

103SR11A-5



OPERATING CHARACTERISTICS

GAUSS	
OPERATE MAX	735
RELEASE MIN	25
DIFF MIN	50

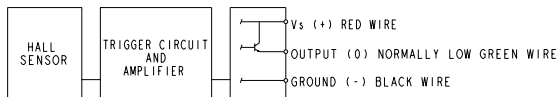
ABSOLUTE MAXIMUM RATINGS

SUPPLY VOLTAGE (Vs)	-1.2 VDC TO +10.0 VDC
VOLTAGE EXTERNALLY APPLIED TO OUTPUT	-0.5 VOLTS DC MAX WITH SWITCH IN "OFF" CONDITION ONLY 6.5 VOLTS MAX WITH SWITCH IN "OFF" OR "ON" CONDITION
OUTPUT CURRENT	40 mA (SOURCE PER OUTPUT)
TEMPERATURE OPERATE AND STORAGE	-40° C TO 85° C
MAGNETIC FLUX	NO LIMIT, THE CIRCUIT CANNOT BE DAMAGED BY MAGNETIC OVERDRIVE

ELECTRICAL CHARACTERISTICS

	MIN	TYP	MAX	REMARKS
SUPPLY CURRENT		2.5 mA	4.0 mA	OFF CONDITION
OUTPUT VOLTAGE (OPERATED)	3.4 V	3.5 V	3.6 V	SOURCING 20 mA PER OUTPUT
OUTPUT LEAKAGE CURRENT (RELEASED)			10 μA	LEAKAGE INTO SWITCH OUTPUT
OUTPUT SWITCHING TIME (SOURCING 20 mA)				
RISE TIME		0.2 μ SEC	1.5 μ SEC	10% TO 90%
FALL TIME		0.1 μ SEC	0.5 μ SEC	90% TO 10%

NOTE: THIS DEVICE IS NOT PROTECTED AGAINST HIGH ELECTRICAL NOISE. IF ERRATIC OPERATION OCCURS AFTER INSTALLATION INSTALL A CAPACITOR ACROSS THE INPUT TERMINALS (0.1 MFD). IF ERRATIC OPERATION CONTINUES YOU MAY HAVE TO USE THE INDUSTRIAL DEVICES THAT MICRO SWITCH MANUFACTURES. PLEASE CONTACT YOUR LOCAL FIELD REPRESENTATIVE FOR INFORMATION



BLOCK DIAGRAM SHOWING CURRENT SOURCING OUTPUTS

NOTES

- ▲ FLUX ENTERING THE SOUTH POLE OF THE MAGNET WILL OPERATE THE SENSOR WHEN MAGNET IS POSITIONED AS SHOWN IN FIGURE 2. THIS ASSUMES THE CONVENTION THAT THE DIRECTION OF THE EXTERNAL FLUX OF A MAGNET IS FROM THE NORTH TO THE SOUTH POLE OF THE MAGNET
- ▲ LEADWIRES (INDIVIDUAL WIRES) ARE 24 GAGE STRANDED WITH IRRADIATED POLYETHYLENE INSULATION
- ▲ DATE CODE LOCATED IN THIS AREA
- ▲ FROM 0° C TO 70° C AND 4.5 TO 5.5 VOLTS
- ▲ CATALOG LISTING LOCATED IN THIS AREA
- ▲ SENSITIVE AREA IS LOCATED .050 BEHIND THE SENSING FACE

THIRD ANGLE PROJECTION		
SCALE 3 : 1		
DO NOT SCALE PRINT		
UNLESS OTHERWISE SPECIFIED TOLERANCES ARE		
ONE PLACE	(.01)	±.030
TWO PLACES	(.001)	±.015
THREE PLACES	(.0001)	±.005
ANGLES		±
WEIGHT		

THIS DRAWING COVERS A PROPRIETARY ITEM AND IS THE PROPERTY OF MICRO SWITCH, A DIVISION OF HONEYWELL. THIS DRAWING IS NOT TO BE COPIED OR USED WITHOUT THE APPROVAL OF MICRO SWITCH.		
MICROSWITCH a Honeywell Division	MAGNETICALLY	CATALOG LISTING 103SR11A-5
ANSI Y14.5M-1982 APPLIES		

P.T.C./CAD 120  
 TSM 16AUG93  
 JNF 16AUG93  
 103SR11A-5  
 REV 01  
 RELEASE NO. PR-24238