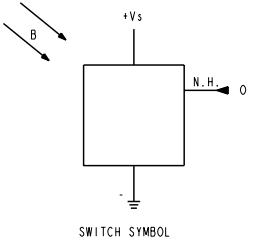
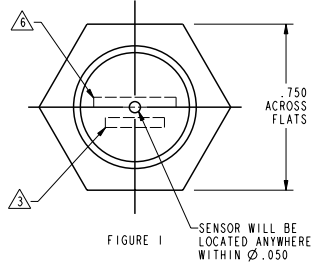
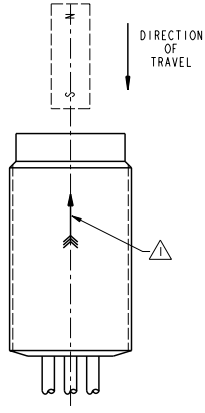
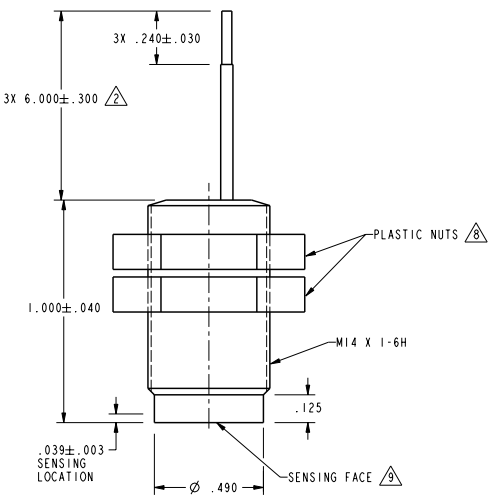


SR3C-A1

4.5 TO 24 VDC UNIPOLAR DEVICE



MAGNETIC CHARACTERISTICS

TEMPERATURE RANGE	-40°C TO 85°C
OPERATE MAX	190
RELEASE MIN	60
DIFFERENTIAL MIN	10

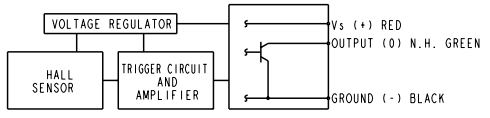
ABSOLUTE MAXIMUM RATING

SUPPLY VOLTAGE (Vs)	-28.0 TO +28 VDC
VOLTAGE EXTERNALLY APPLIED TO OUTPUT	+28.0 VDC MAX WITH SWITCH IN "OFF" CONDITION ONLY
OUTPUT CURRENT	20mA
TEMPERATURE	-40°C TO 85°C
MAGNETIC FLUX	NO LIMIT, THE CIRCUIT CANNOT BE DAMAGED BY MAGNETIC OVERDRIVE

ELECTRICAL CHARACTERISTICS

	MIN	TYP	MAX	
SUPPLY CURRENT		14mA	19.0mA	"OFF" CONDITION (Vs = 4.5 - 24V)
OUTPUT VOLTAGE		0.2V	0.4V	SINKING 10mA MAX (OPERATED)
OUTPUT LEAKAGE CURRENT (RELEASED)		1 μA	10 μA	LEAKAGE INTO SWITCH OUTPUT
OUTPUT SWITCHING TIME (SINKING)		0.2 μS	1.5 μS	10% TO 90%
RISE TIME		0.5 μS	1.0 μS	90% TO 10%
FALL TIME				

BLOCK DIAGRAM CURRENT SINKING OUTPUT



- NOTES
- 1. FLUX ENTERING THE SOUTH POLE OF THE MAGNET WILL OPERATE THE SENSOR WHEN THE MAGNET IS POSITIONED AS SHOWN IN FIGURE 2. THIS ASSUMES THE CONVENTION THAT THE DIRECTION OF THE EXTERNAL FLUX OF A MAGNET IS FROM THE NORTH TO THE SOUTH POLE OF THE MAGNET. (FIGURE 2)
  - 2. LEADWIRES (INDIVIDUAL WIRES) ARE 24 GAGE STRANDED WITH XLPE INSULATION DATE CODE LOCATED IN THIS AREA
  - 3. AT 24 ° TO 2° C
  - 4. AT SUPPLY VOLTAGE OF 4.5 TO 24 VOLTS AND FULL TEMPERATURE RANGE CATALOG LISTING LOCATED IN THIS AREA
  - 5. Vs IS THE UNREGULATED SUPPLY VOLTAGE
  - 6. TORQUE ON PLASTIC NUTS MUST NOT EXCEED 12 INCH POUNDS
  - 7. ABSOLUTE MAXIMUM RATINGS ARE THE EXTREME LIMITS THAT THE DEVICE WILL WITHSTAND WITHOUT DAMAGE TO THE DEVICE. HOWEVER, THE ELECTRICAL AND MAGNETIC CHARACTERISTICS ARE NOT GUARANTEED AS THE MAXIMUM LIMITS (ABOVE RECOMMENDED OPERATING CONDITIONS) ARE APPROACHED, NOR WILL THE DEVICE NECESSARILY OPERATE AT ABSOLUTE MAXIMUM RATING



THIS DRAWING COVERS A PROPRIETARY ITEM AND IS THE PROPERTY OF MICRO SWITCH, A DIVISION OF HONEYWELL. THIS DRAWING IS NOT TO BE COPIED OR USED WITHOUT THE APPROVAL OF MICRO SWITCH.

MICRO SWITCH a Honeywell Division      MAGNETICALLY OPERATED CYLINDRICAL HALL SWITCH      CATALOG LISTING SR3C-A1

FED. MFG. CODE 91829

THIRD ANGLE PROJECTION		
SCALE 3:1	DO NOT SCALE PRINT	
UNLESS OTHERWISE SPECIFIED TOLERANCES ARE		
ONE PLACE (.01)	±.030	
TWO PLACES (.001)	±.015	
THREE PLACES (.000)	±.005	
ANGLES	±	
WEIGHT		

ANSI Y14.5M-1982 APPLIES

SR3C-A1  
 REVISIONS  
 1 201712  
 2 181005  
 3 181005  
 4 181005  
 5 181005  
 6 181005  
 7 181005  
 8 181005  
 9 181005  
 10 181005  
 11 181005  
 12 181005  
 13 181005  
 14 181005  
 15 181005  
 16 181005  
 17 181005  
 18 181005  
 19 181005  
 20 181005  
 21 181005  
 22 181005  
 23 181005  
 24 181005  
 25 181005  
 26 181005  
 27 181005  
 28 181005  
 29 181005  
 30 181005  
 31 181005  
 32 181005  
 33 181005  
 34 181005  
 35 181005  
 36 181005  
 37 181005  
 38 181005  
 39 181005  
 40 181005  
 41 181005  
 42 181005  
 43 181005  
 44 181005  
 45 181005  
 46 181005  
 47 181005  
 48 181005  
 49 181005  
 50 181005  
 51 181005  
 52 181005  
 53 181005  
 54 181005  
 55 181005  
 56 181005  
 57 181005  
 58 181005  
 59 181005  
 60 181005  
 61 181005  
 62 181005  
 63 181005  
 64 181005  
 65 181005  
 66 181005  
 67 181005  
 68 181005  
 69 181005  
 70 181005  
 71 181005  
 72 181005  
 73 181005  
 74 181005  
 75 181005  
 76 181005  
 77 181005  
 78 181005  
 79 181005  
 80 181005  
 81 181005  
 82 181005  
 83 181005  
 84 181005  
 85 181005  
 86 181005  
 87 181005  
 88 181005  
 89 181005  
 90 181005  
 91 181005  
 92 181005  
 93 181005  
 94 181005  
 95 181005  
 96 181005  
 97 181005  
 98 181005  
 99 181005  
 100 181005