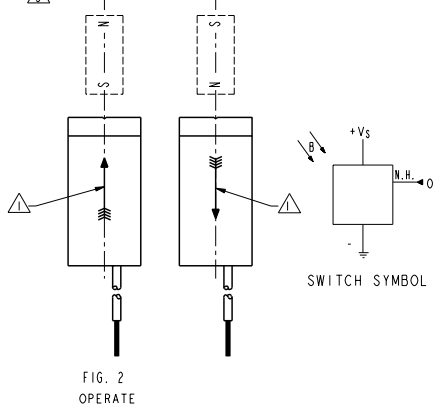
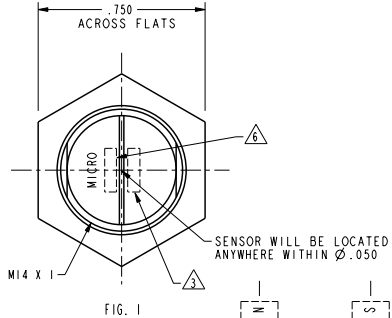
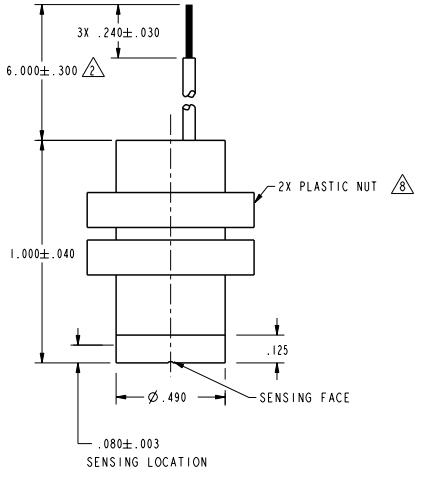


PTC/CAD [20]
 DRAWN BY TSM
 JUNE 30, 1983
 CHECKED BY JNF
 JUNE 30, 1983
 DESIGNED BY JNF
 JUNE 30, 1983
 CHECKED BY JNF
 JUNE 30, 1983
 DESIGNED BY JNF
 JUNE 30, 1983
 SR4P3-A1



OPERATING CHARACTERISTICS

OPERATE MAX	25 GAUSS
RELEASE MIN	5 GAUSS
DIFF MIN	2 GAUSS
(TEMP RANGE -40°C TO 85°C)	

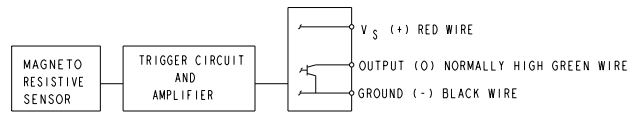
SR4P3-A1

ABSOLUTE MAXIMUM RATINGS

SUPPLY VOLTAGE (VS)	3.8 VDC TO 30 VDC
VOLTAGE EXTERNALLY APPLIED TO OUTPUT	+30 VOLTS DC MAX WITH SWITCH IN "OFF" CONDITION ONLY -0.5 VOLTS MAX WITH SWITCH IN "OFF" OR "ON" CONDITION
OUTPUT CURRENT	20 mA
TEMPERATURE OPERATE AND STORAGE	-40°C TO 85°C
MAGNETIC FLUX	NO LIMIT, THE CIRCUIT CANNOT BE DAMAGED BY MAGNETIC OVERDRIVE

ELECTRICAL CHARACTERISTICS

	MIN	TYP	MAX	REMARKS
SUPPLY CURRENT	6.0 mA	11.0 mA		VS = 6-24 VOLTS
OUTPUT VOLTAGE (OPERATED)	0.25 V	0.4 V		SINKING 20 mA MAX PER OUTPUT
OUTPUT LEAKAGE CURRENT (RELEASED)			10 µA	LEAKAGE INTO SWITCH OUTPUT
OUTPUT SWITCHING TIME				
RISE TIME	0.2 µ SEC		1.5 µ SEC	10% TO 90%
FALL TIME	0.1 µ SEC		1.5 µ SEC	90% TO 10%



BLOCK DIAGRAM SHOWING CURRENT SINKING OUTPUTS

NOTES

- 1 FLUX ENTERING THE SOUTH POLE OR THE NORTH POLE OF THE MAGNET WILL OPERATE THE SENSOR WHEN MAGNET IS POSITIONED AS SHOWN IN FIGURE 2. THIS ASSUMES THE CONVENTION THAT THE DIRECTION OF THE EXTERNAL FLUX OF A MAGNET IS FROM THE NORTH TO THE SOUTH POLE OF THE MAGNET
- 2 LEADWIRES (INDIVIDUAL WIRES) ARE 24 GAGE STRANDED WITH XLPE INSULATION
- 3 DATE CODE LOCATED IN THIS AREA
- 4 SUPPLY CURRENT RATINGS MEASURED AT TEMPERATURES INDICATED "TYP" 24°C±2°C. "MAX" -40°C/85°C
- 5 AT SUPPLY VOLTAGE OF 3.8 TO 30 VOLTS AND TEMPERATURE RANGE OF -40°C TO +85°C
- 6 CATALOG LISTING LOCATED IN THIS AREA
- 7 VS IS THE UNREGULATED SUPPLY VOLTAGE
- 8 TORQUE ON PLASTIC NUTS MUST NOT EXCEED 12 INCH POUNDS
- 9 THE MAGNETIC CHARACTERISTICS OF THE SWITCH MAY BE AFFECTED BY STRAY MAGNETIC FIELDS

THIS DRAWING COVERS A PROPRIETARY ITEM AND IS THE PROPERTY OF MICRO SWITCH, A DIVISION OF HONEYWELL. THIS DRAWING IS NOT TO BE COPIED OR USED WITHOUT THE APPROVAL OF MICRO SWITCH.

MICROSWICH a Honeywell Division
MAGNETICALLY OPERATED CYLINDRICAL HALL SWITCH
 CATALOG LISTING
SR4P3-A1
 FED. REG. CODE 91829

THIRD ANGLE PROJECTION

SCALE 3 : 1
 DO NOT SCALE PRINT
 UNLESS OTHERWISE SPECIFIED TOLERANCES ARE
 ONE PLACE (.01) ±.030
 TWO PLACES (.001) ±.015
 THREE PLACES (.000) ±.005
 ANGLES °

WEIGHT

ANSI Y14.5M-1982 APPLIES