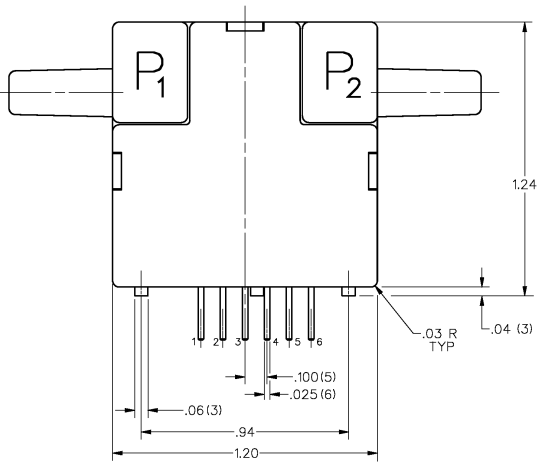
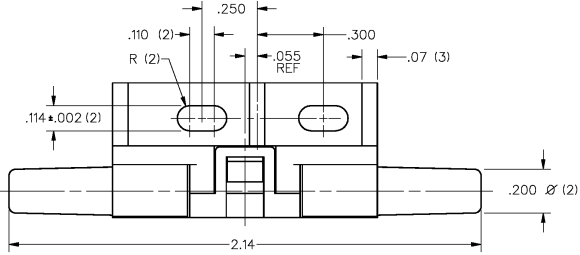


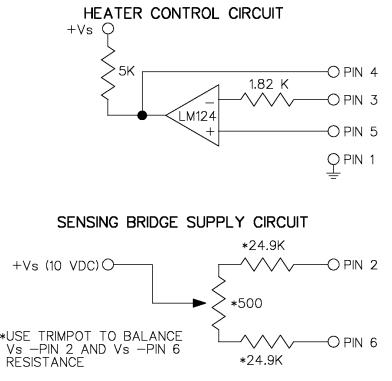
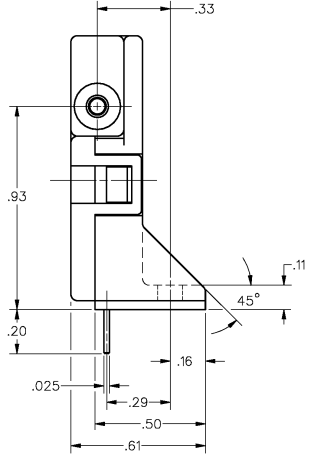
ISSUE 7
 DRAWING NUMBER: AWM2100V
 PAGE 1 OF 1
 RELEASE NO: PR-17967
 PACKAGE: X86481-AW



SPECIFICATIONS:		AWM2100V
RECOMMENDED EXCITATION (USING TEST CIRCUIT) 8VDC MIN		10.00±0.1VDC (15.00 VDC MAX)
POWER CONSUMPTION		30mW TYP
OUTPUT VOLTAGE TRIM POINT		30mV @ 100 sccm
NULL VOLTAGE		0.0±1.0mV
NULL VOLTAGE SHIFT (-25°C TO +85°C)		±.14mV TYP
OUTPUT VOLTAGE SHIFT (+25°C TO -25°C)		+2.5% READING MAX
OUTPUT VOLTAGE SHIFT (+25°C TO +85°C)		-2.5% READING MAX
REPEATABILITY & HYSTERESIS		±.35% READING MAX
RESPONSE TIME		3.0 msec MAX
OPERATING TEMPERATURE RANGE		-25°C TO +85°C
STORAGE TEMPERATURE RANGE		-40°C TO +90°C
TERMINATION (ON .100 CENTERS)		0.025 SQ. IN.
WEIGHT		10.8 GRAMS
SHOCK RATING (5 DROPS, EACH OF 6 AXES)		100G PEAK
OVERPRESSURE		25 psi MAX
SENSOR RESISTANCE (PIN 2-PIN 1, PIN 6-PIN 1)		5 K-OHMS (TYP)
SENSOR CURRENT (PIN 2-PIN 1, PIN 6-PIN 1)		0.6 mA (MAX)

AWM2100V OUTPUT FLOW VS. INTERCHANGEABILITY		
FLOW (SCCM)	NOMINAL (mV)	TOL. (±mV)
200	44.50	4.25
150	38.75	3.00
100	30.00	1.5
50	18.50	2.50
0	0.00	1.0
-50	-16.50	4.50
-100	-30.00	5.00
-150	-38.75	7.65
-200	-44.50	9.75

NOTES
 1 - POSITIVE FLOW DIRECTION IS DEFINED AS PROCEEDING FROM P1 TO P2 AND RESULTS IN POSITIVE OUTPUT (PIN 6 > PIN 2). NEGATIVE FLOW DIRECTION IS DEFINED CONVERSELY AND RESULTS IN NEGATIVE OUTPUT (PIN 6 < PIN 2)



THIRD ANGLE PROJECTION
 SCALE 3 : 1
 DO NOT SCALE PRINT
 UNLESS OTHERWISE SPECIFIED TOLERANCES ARE:
 ONE PLACE (L9) ±.030
 TWO PLACES (L00) ±.015
 THREE PLACES (L000) ±.005
 ANGLES ±
 WEIGHT

THIS DRAWING COVERS A PROPRIETARY ITEM AND IS THE PROPERTY OF MICRO SWITCH, A DIVISION OF HONEYWELL. THIS DRAWING IS NOT TO BE COPIED OR USED WITHOUT THE APPROVAL OF MICRO SWITCH.
MICRO SWITCH a Honeywell Division
 MASS AIRFLOW SENSOR
 CATALOG LISTING
 AWM2100V
 FED. WFO. CODE #1826

MASTER REDUCED