

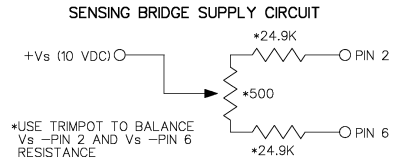
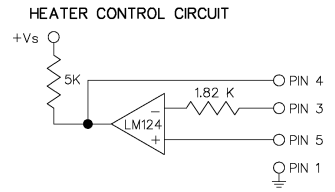
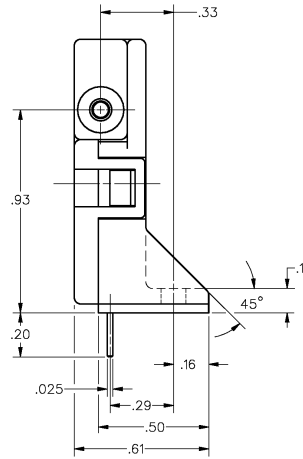
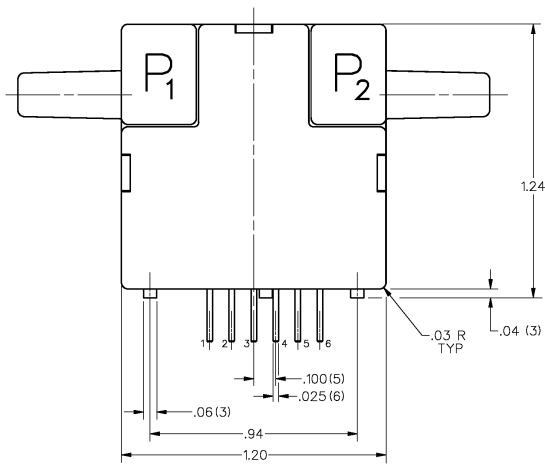
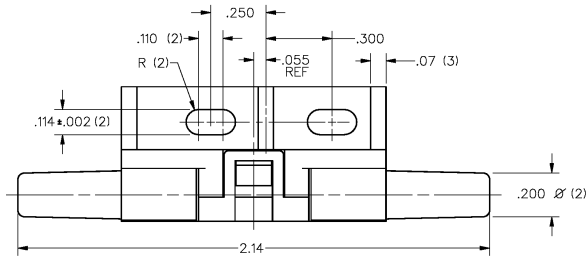
**M** AWM2300V

AWM2300V OUTPUT FLOW VS. INTERCHANGEABILITY

FLOW sccm	NOMINAL (mV)	TOL. (±mV)
1000	55.50	3.70
800	52.90	3.50
650	50.00	2.50
400	40.50	3.00
200	29.20	3.20
0	0.00	1.0
-200	-28.90	15.00
-400	-41.20	26.00
-600	-48.20	29.50
-800	-52.50	32.50
-1000	-55.00	36.00

SPECIFICATIONS:	AWM2300V
RECOMMENDED EXCITATION (USING TEST CIRCUIT) 8VDC MIN	10.00±0.1VDC (15.00 VDC MAX)
POWER CONSUMPTION	30mW TYP
OUTPUT VOLTAGE TRIM POINT	50mV @ 650 sccm
NULL VOLTAGE	0.0±1.0mV
NULL VOLTAGE SHIFT (-25°C TO +85°C)	±14mV TYP
OUTPUT VOLTAGE SHIFT (+25°C TO -25°C)	+5% READING MAX
(+25°C TO +85°C)	-5% READING MAX
REPEATABILITY & HYSTERESIS	±10% READING MAX
RESPONSE TIME	3.0 msec MAX
OPERATING TEMPERATURE RANGE	-25°C TO +85°C
STORAGE TEMPERATURE RANGE	-40°C TO +90°C
TERMINATION (ON .100 CENTERS)	0.025 SQ. IN.
WEIGHT	10.8 GRAMS
SHOCK RATING (5 DROPS, EACH OF 6 AXES)	100G PEAK
OVERPRESSURE	25 psi MAX
SENSOR RESISTANCE (PIN 2-PIN 1, PIN 6-PIN 1)	5 K-OHMS (TYP)
SENSOR CURRENT (PIN 2-PIN 1, PIN 6-PIN 1)	0.6 mA (MAX)

NOTES:  
 1 - POSITIVE FLOW DIRECTION IS DEFINED AS PROCEEDING FROM P1 TO P2 AND RESULTS IN POSITIVE OUTPUT (PIN 6 > PIN 2). NEGATIVE FLOW DIRECTION IS DEFINED CONVERSELY AND RESULTS IN NEGATIVE OUTPUT (PIN 6 < PIN 2)  
 2 - LASER TRIMMED FOR 50.00mV AT 650 Sccm



THIRD ANGLE PROJECTION	
SCALE	3 : 1
DO NOT SCALE PRINT	
UNLESS OTHERWISE SPECIFIED TOLERANCES ARE	
ONE PLACE (.01)	±.030
TWO PLACES (.001)	±.015
THREE PLACES (.0001)	±.005
ANGLES	±
WEIGHT	

THIS DRAWING COVERS A PROPRIETARY ITEM AND IS THE PROPERTY OF MICRO SWITCH, A DIVISION OF HONEYWELL. THIS DRAWING IS NOT TO BE COPIED OR USED WITHOUT THE APPROVAL OF MICRO SWITCH.	<b>MICRO SWITCH</b> a Honeywell Division	MASS AIRFLOW SENSOR (1000 Sccm)	CATALOG LISTING AWM2300V
	MASTER REDUCED		

DATA SHEET NUMBER: AWM2300V  
 ISSUE: 7  
 PAGE: 1 OF 1  
 REVISIONS:  
 A: 198703  
 B: 198704  
 C: 198705  
 D: 198706  
 E: 198707  
 F: 198708  
 G: 198709  
 H: 198710  
 I: 198711  
 J: 198712  
 K: 198713  
 L: 198714  
 M: 198715  
 N: 198716  
 O: 198717  
 P: 198718  
 Q: 198719  
 R: 198720  
 S: 198721  
 T: 198722  
 U: 198723  
 V: 198724  
 W: 198725  
 X: 198726  
 Y: 198727  
 Z: 198728  
 AA: 198729  
 AB: 198730  
 AC: 198731  
 AD: 198732  
 AE: 198733  
 AF: 198734  
 AG: 198735  
 AH: 198736  
 AI: 198737  
 AJ: 198738  
 AK: 198739  
 AL: 198740  
 AM: 198741  
 AN: 198742  
 AO: 198743  
 AP: 198744  
 AQ: 198745  
 AR: 198746  
 AS: 198747  
 AT: 198748  
 AU: 198749  
 AV: 198750  
 AW: 198751  
 AX: 198752  
 AY: 198753  
 AZ: 198754  
 BA: 198755  
 BB: 198756  
 BC: 198757  
 BD: 198758  
 BE: 198759  
 BF: 198760  
 BG: 198761  
 BH: 198762  
 BI: 198763  
 BJ: 198764  
 BK: 198765  
 BL: 198766  
 BM: 198767  
 BN: 198768  
 BO: 198769  
 BP: 198770  
 BQ: 198771  
 BR: 198772  
 BS: 198773  
 BT: 198774  
 BU: 198775  
 BV: 198776  
 BW: 198777  
 BX: 198778  
 BY: 198779  
 BZ: 198780  
 CA: 198781  
 CB: 198782  
 CC: 198783  
 CD: 198784  
 CE: 198785  
 CF: 198786  
 CG: 198787  
 CH: 198788  
 CI: 198789  
 CJ: 198790  
 CK: 198791  
 CL: 198792  
 CM: 198793  
 CN: 198794  
 CO: 198795  
 CP: 198796  
 CQ: 198797  
 CR: 198798  
 CS: 198799  
 CT: 198800  
 CU: 198801  
 CV: 198802  
 CW: 198803  
 CX: 198804  
 CY: 198805  
 CZ: 198806  
 DA: 198807  
 DB: 198808  
 DC: 198809  
 DD: 198810  
 DE: 198811  
 DF: 198812  
 DG: 198813  
 DH: 198814  
 DI: 198815  
 DJ: 198816  
 DK: 198817  
 DL: 198818  
 DM: 198819  
 DN: 198820  
 DO: 198821  
 DP: 198822  
 DQ: 198823  
 DR: 198824  
 DS: 198825  
 DT: 198826  
 DU: 198827  
 DV: 198828  
 DW: 198829  
 DX: 198830  
 DY: 198831  
 DZ: 198832  
 EA: 198833  
 EB: 198834  
 EC: 198835  
 ED: 198836  
 EE: 198837  
 EF: 198838  
 EG: 198839  
 EH: 198840  
 EI: 198841  
 EJ: 198842  
 EK: 198843  
 EL: 198844  
 EM: 198845  
 EN: 198846  
 EO: 198847  
 EP: 198848  
 EQ: 198849  
 ER: 198850  
 ES: 198851  
 ET: 198852  
 EU: 198853  
 EV: 198854  
 EW: 198855  
 EX: 198856  
 EY: 198857  
 EZ: 198858  
 FA: 198859  
 FB: 198860  
 FC: 198861  
 FD: 198862  
 FE: 198863  
 FF: 198864  
 FG: 198865  
 FH: 198866  
 FI: 198867  
 FJ: 198868  
 FK: 198869  
 FL: 198870  
 FM: 198871  
 FN: 198872  
 FO: 198873  
 FP: 198874  
 FQ: 198875  
 FR: 198876  
 FS: 198877  
 FT: 198878  
 FU: 198879  
 FV: 198880  
 FW: 198881  
 FX: 198882  
 FY: 198883  
 FZ: 198884  
 GA: 198885  
 GB: 198886  
 GC: 198887  
 GD: 198888  
 GE: 198889  
 GF: 198890  
 GG: 198891  
 GH: 198892  
 GI: 198893  
 GJ: 198894  
 GK: 198895  
 GL: 198896  
 GM: 198897  
 GN: 198898  
 GO: 198899  
 GP: 198900  
 GQ: 198901  
 GR: 198902  
 GS: 198903  
 GT: 198904  
 GU: 198905  
 GV: 198906  
 GW: 198907  
 GX: 198908  
 GY: 198909  
 GZ: 198910  
 HA: 198911  
 HB: 198912  
 HC: 198913  
 HD: 198914  
 HE: 198915  
 HF: 198916  
 HG: 198917  
 HH: 198918  
 HI: 198919  
 HJ: 198920  
 HK: 198921  
 HL: 198922  
 HM: 198923  
 HN: 198924  
 HO: 198925  
 HP: 198926  
 HQ: 198927  
 HR: 198928  
 HS: 198929  
 HT: 198930  
 HU: 198931  
 HV: 198932  
 HW: 198933  
 HX: 198934  
 HY: 198935  
 HZ: 198936  
 IA: 198937  
 IB: 198938  
 IC: 198939  
 ID: 198940  
 IE: 198941  
 IF: 198942  
 IG: 198943  
 IH: 198944  
 II: 198945  
 IJ: 198946  
 IK: 198947  
 IL: 198948  
 IM: 198949  
 IN: 198950  
 IO: 198951  
 IP: 198952  
 IQ: 198953  
 IR: 198954  
 IS: 198955  
 IT: 198956  
 IU: 198957  
 IV: 198958  
 IW: 198959  
 IX: 198960  
 IY: 198961  
 IZ: 198962  
 JA: 198963  
 JB: 198964  
 JC: 198965  
 JD: 198966  
 JE: 198967  
 JF: 198968  
 JG: 198969  
 JH: 198970  
 JI: 198971  
 JJ: 198972  
 JK: 198973  
 JL: 198974  
 JM: 198975  
 JN: 198976  
 JO: 198977  
 JP: 198978  
 JQ: 198979  
 JR: 198980  
 JS: 198981  
 JT: 198982  
 JU: 198983  
 JV: 198984  
 JW: 198985  
 JX: 198986  
 JY: 198987  
 JZ: 198988  
 KA: 198989  
 KB: 198990  
 KC: 198991  
 KD: 198992  
 KE: 198993  
 KF: 198994  
 KG: 198995  
 KH: 198996  
 KI: 198997  
 KJ: 198998  
 KK: 198999  
 KL: 199000  
 KM: 199001  
 KN: 199002  
 KO: 199003  
 KP: 199004  
 KQ: 199005  
 KR: 199006  
 KS: 199007  
 KT: 199008  
 KU: 199009  
 KV: 199010  
 KW: 199011  
 KX: 199012  
 KY: 199013  
 KZ: 199014  
 LA: 199015  
 LB: 199016  
 LC: 199017  
 LD: 199018  
 LE: 199019  
 LF: 199020  
 LG: 199021  
 LH: 199022  
 LI: 199023  
 LJ: 199024  
 LK: 199025  
 LL: 199026  
 LM: 199027  
 LN: 199028  
 LO: 199029  
 LP: 199030  
 LQ: 199031  
 LR: 199032  
 LS: 199033  
 LT: 199034  
 LU: 199035  
 LV: 199036  
 LW: 199037  
 LX: 199038  
 LY: 199039  
 LZ: 199040  
 MA: 199041  
 MB: 199042  
 MC: 199043  
 MD: 199044  
 ME: 199045  
 MF: 199046  
 MG: 199047  
 MH: 199048  
 MI: 199049  
 MJ: 199050  
 MK: 199051  
 ML: 199052  
 MM: 199053  
 MN: 199054  
 MO: 199055  
 MP: 199056  
 MQ: 199057  
 MR: 199058  
 MS: 199059  
 MT: 199060  
 MU: 199061  
 MV: 199062  
 MW: 199063  
 MX: 199064  
 MY: 199065  
 MZ: 199066  
 NA: 199067  
 NB: 199068  
 NC: 199069  
 ND: 199070  
 NE: 199071  
 NF: 199072  
 NG: 199073  
 NH: 199074  
 NI: 199075  
 NJ: 199076  
 NK: 199077  
 NL: 199078  
 NM: 199079  
 NN: 199080  
 NO: 199081  
 NP: 199082  
 NQ: 199083  
 NR: 199084  
 NS: 199085  
 NT: 199086  
 NU: 199087  
 NV: 199088  
 NW: 199089  
 NX: 199090  
 NY: 199091  
 NZ: 199092  
 OA: 199093  
 OB: 199094  
 OC: 199095  
 OD: 199096  
 OE: 199097  
 OF: 199098  
 OG: 199099  
 OH: 199100  
 OI: 199101  
 OJ: 199102  
 OK: 199103  
 OL: 199104  
 OM: 199105  
 ON: 199106  
 OO: 199107  
 OP: 199108  
 OQ: 199109  
 OR: 199110  
 OS: 199111  
 OT: 199112  
 OU: 199113  
 OV: 199114  
 OW: 199115  
 OX: 199116  
 OY: 199117  
 OZ: 199118  
 PA: 199119  
 PB: 199120  
 PC: 199121  
 PD: 199122  
 PE: 199123  
 PF: 199124  
 PG: 199125  
 PH: 199126  
 PI: 199127  
 PJ: 199128  
 PK: 199129  
 PL: 199130  
 PM: 199131  
 PN: 199132  
 PO: 199133  
 PP: 199134  
 PQ: 199135  
 PR: 199136  
 PS: 199137  
 PT: 199138  
 PU: 199139  
 PV: 199140  
 PW: 199141  
 PX: 199142  
 PY: 199143  
 PZ: 199144  
 QA: 199145  
 QB: 199146  
 QC: 199147  
 QD: 199148  
 QE: 199149  
 QF: 199150  
 QG: 199151  
 QH: 199152  
 QI: 199153  
 QJ: 199154  
 QK: 199155  
 QL: 199156  
 QM: 199157  
 QN: 199158  
 QO: 199159  
 QP: 199160  
 QQ: 199161  
 QR: 199162  
 QS: 199163  
 QT: 199164  
 QU: 199165  
 QV: 199166  
 QW: 199167  
 QX: 199168  
 QY: 199169  
 QZ: 199170  
 RA: 199171  
 RB: 199172  
 RC: 199173  
 RD: 199174  
 RE: 199175  
 RF: 199176  
 RG: 199177  
 RH: 199178  
 RI: 199179  
 RJ: 199180  
 RK: 199181  
 RL: 199182  
 RM: 199183  
 RN: 199184  
 RO: 199185  
 RP: 199186  
 RQ: 199187  
 RR: 199188  
 RS: 199189  
 RT: 199190  
 RU: 199191  
 RV: 199192  
 RW: 199193  
 RX: 199194  
 RY: 199195  
 RZ: 199196  
 SA: 199197  
 SB: 199198  
 SC: 199199  
 SD: 199200  
 SE: 199201  
 SF: 199202  
 SG: 199203  
 SH: 199204  
 SI: 199205  
 SJ: 199206  
 SK: 199207  
 SL: 199208  
 SM: 199209  
 SN: 199210  
 SO: 199211  
 SP: 199212  
 SQ: 199213  
 SR: 199214  
 SS: 199215  
 ST: 199216  
 SU: 199217  
 SV: 199218  
 SW: 199219  
 SX: 199220  
 SY: 199221  
 SZ: 199222  
 TA: 199223  
 TB: 199224  
 TC: 199225  
 TD: 199226  
 TE: 199227  
 TF: 199228  
 TG: 199229  
 TH: 199230  
 TI: 199231  
 TJ: 199232  
 TK: 199233  
 TL: 199234  
 TM: 199235  
 TN: 199236  
 TO: 199237  
 TP: 199238  
 TQ: 199239  
 TR: 199240  
 TS: 199241  
 TT: 199242  
 TU: 199243  
 TV: 199244  
 TW: 199245  
 TX: 199246  
 TY: 199247  
 TZ: 199248  
 UA: 199249  
 UB: 199250  
 UC: 199251  
 UD: 199252  
 UE: 199253  
 UF: 199254  
 UG: 199255  
 UH: 199256  
 UI: 199257  
 UJ: 199258  
 UK: 199259  
 UL: 199260  
 UM: 199261  
 UN: 199262  
 UO: 199263  
 UP: 199264  
 UQ: 199265  
 UR: 199266  
 US: 199267  
 UT: 199268  
 UY: 199269  
 UZ: 199270  
 VA: 199271  
 VB: 199272  
 VC: 199273  
 VD: 199274  
 VE: 199275  
 VF: 199276  
 VG: 199277  
 VH: 199278  
 VI: 199279  
 VJ: 199280  
 VK: 199281  
 VL: 199282  
 VM: 199283  
 VN: 199284  
 VO: 199285  
 VP: 199286  
 VQ: 199287  
 VR: 199288  
 VS: 199289  
 VT: 199290  
 VU: 199291  
 VV: 199292  
 VW: 199293  
 VX: 199294  
 VY: 199295  
 VZ: 199296  
 WA: 199297  
 WB: 199298  
 WC: 199299  
 WD: 199300  
 WE: 199301  
 WF: 199302  
 WG: 199303  
 WH: 199304  
 WI: 199305  
 WJ: 199306  
 WK: 199307  
 WL: 199308  
 WM: 199309  
 WN: 199310  
 WO: 199311  
 WP: 199312  
 WQ: 199313  
 WR: 199314  
 WS: 199315  
 WT: 199316  
 WU: 199317  
 WV: 199318  
 WW: 199319  
 WX: 199320  
 WY: 199321  
 WZ: 199322  
 XA: 199323  
 XB: 199324  
 XC: 199325  
 XD: 199326  
 XE: 199327  
 XF: 199328  
 XG: 199329  
 XH: 199330  
 XI: 199331  
 XJ: 199332  
 XK: 199333  
 XL: 199334  
 XM: 199335  
 XN: 199336  
 XO: 199337  
 XP: 199338  
 XQ: 199339  
 XR: 199340  
 XS: 199341  
 XT: 199342  
 XU: 199343  
 XV: 199344  
 XW: 199345  
 XX: 199346  
 XY: 199347  
 XZ: 199348  
 YA: 199349  
 YB: 199350  
 YC: 199351  
 YD: 199352  
 YE: 199353  
 YF: 199354  
 YG: 199355  
 YH: 199356  
 YI: 199357  
 YJ: 199358  
 YK: 199359  
 YL: 199360  
 YM: 199361  
 YN: 199362  
 YO: 199363  
 YP: 199364  
 YQ: 199365  
 YR: 199366  
 YS: 199367  
 YT: 199368  
 YU: 199369  
 YV: 199370  
 YW: 199371  
 YX: 199372  
 YZ: 199373  
 ZA: 199374  
 ZB: 199375  
 ZC: 199376  
 ZD: 199377  
 ZE: 199378  
 ZF: 199379  
 ZG: 199380  
 ZH: 199381  
 ZI: 199382  
 ZJ: 199383  
 ZK: 199384  
 ZL: 199385  
 ZM: 199386  
 ZN: 199387  
 ZO: 199388  
 ZP: 199389  
 ZQ: 199390  
 ZR: 199391  
 ZS: 199392  
 ZT: 199393  
 ZU: 199394  
 ZV: 199395  
 ZW: 199396  
 ZX: 199397  
 ZY: 199398  
 ZZ: 199399