

AWM92100V

SPECIFICATIONS:

	MIN	TYP	MAX
SUPPLY VOLTAGE	8	10	15 VDC
POWER CONSUMPTION		50mW	
REPEATABILITY & HYSTERESIS		±.35%	SPAN
RESPONSE TIME		1mSEC	TYP
OVERPRESSURE		25	PSI
OPERATING TEMPERATURE	-25	25	85°C
STORAGE TEMPERATURE	-40		90°C
SHOCK RATING			100 g PEAK

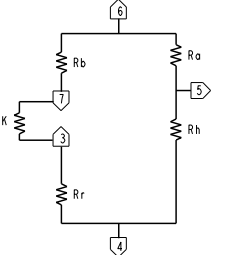
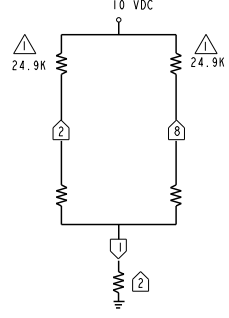
OUTPUT SPECIFICATIONS AT 10 VDC:

NULL VOLTAGE	0 ± 15mV
NULL OUTPUT SHIFT -25°C TO +85°C	± 2mV TYP
OUTPUT SHIFT -25°C TO +25°C	± 3% FSO TYP
OUTPUT SHIFT 25°C TO 85°C	± 1% FSO TYP

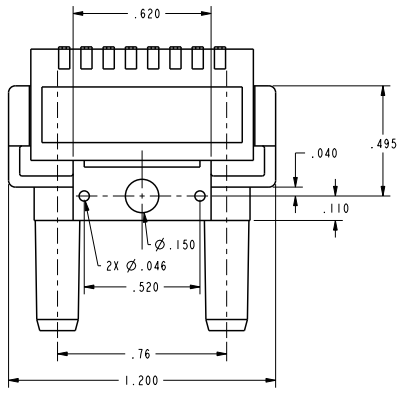
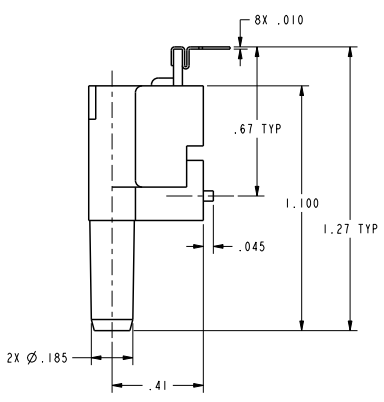
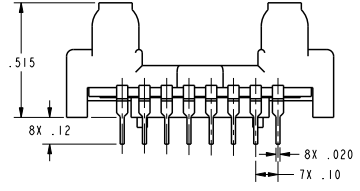
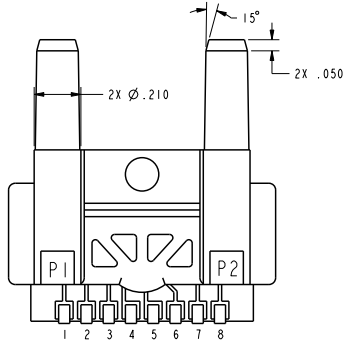
SPAN VOLTAGE VERSUS FLOW

FLOW	NOMINAL	TOLERANCE	MINIMUM	MAXIMUM
SCCM	mV	±mV	mV	mV
0	0	20	-20	20
50	36	17	19	53
100	56	25	31	81
150	68	29	39	97
200	77	32	45	109
-50	-37	18 TYP *	-19 TYP	-55 TYP
-100	-57	26 TYP *	-31 TYP	-83 TYP
-150	-69	30 TYP *	-39 TYP	-99 TYP
-200	-78	33 TYP *	-45 TYP	-111 TYP

TYP * DESIGN VERIFIED ONLY NOT TESTED IN PRODUCTION



NOTES
 1. CUSTOMER SUPPLIED 24.9Ω MATCHED RESISTORS
 2. CUSTOMER SUPPLIED



THIS DRAWING COVERS A PROPRIETARY ITEM AND IS THE PROPERTY OF MICRO SWITCH, A DIVISION OF HONEYWELL. THIS DRAWING IS NOT TO BE COPIED OR USED WITHOUT THE APPROVAL OF MICRO SWITCH.

MICRO SWITCH
 a Honeywell Division

AIRFLOW SENSOR

CATALOG LISTING
AWM92100V

THIRD ANGLE PROJECTION

SCALE 3:1

DO NOT SCALE PRINT

UNLESS OTHERWISE SPECIFIED TOLERANCES ARE

ONE PLACE	(.01)	±.030
TWO PLACES	(.001)	±.015
THREE PLACES	(.0001)	±.005
ANGLES		±
WEIGHT		

ANSI Y14.5M-1982 APPLIES

PTC/CAD 30
 JUNE 13MAY03
 SAIV 13MAY03
 2
 A 0000712
 (MAY03)
 REVISIONS
 ISSUE 2
 AWM92100V
 RELEASE NO 205722
 REVISED BY
 APPROVED BY
 DRAWN BY
 CHECKED BY
 DESIGNED BY
 ENGINEERED BY
 MANUFACTURED BY
 HONEYWELL