

# HEDL-556x

## Encoder Line Drivers



## Data Sheet



### Description

Line Drivers are available for the HEDM-5500 series encoders. The line driver offers enhanced performance when the encoder is used in noisy environments, or when it is required to drive long distances.

The HEDL-556x series utilizes an industry standard line driver IC, AM26C31Q, which provides complementary outputs for each encoder channel. Thus, the output of the line driver encoder is A,  $\bar{A}$ , B,  $\bar{B}$ . Suggested line receivers are 26LS32 and 26LS33.

For additional information, please refer to:  
HEDM-55xx/56xx datasheet.

### Features

- Available on Encoder Kit Housing (HEDM-5500 Series)
- Complementary Outputs
- Industry Standard Line Driver IC
- Single 5 V Supply
- Onboard Bypass Capacitor
- Operating Temperature up to 70°C

Note: Avago Technologies encoders are not recommended for use in safety critical applications. Eg. ABS braking systems, power steering, life support systems and critical care medical equipment. Please contact sales representative if more clarification is needed.

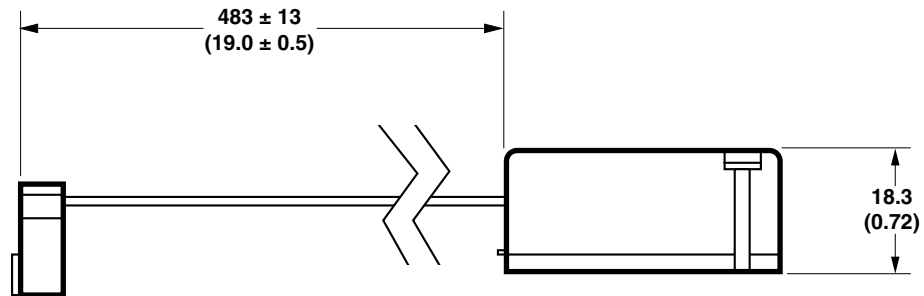
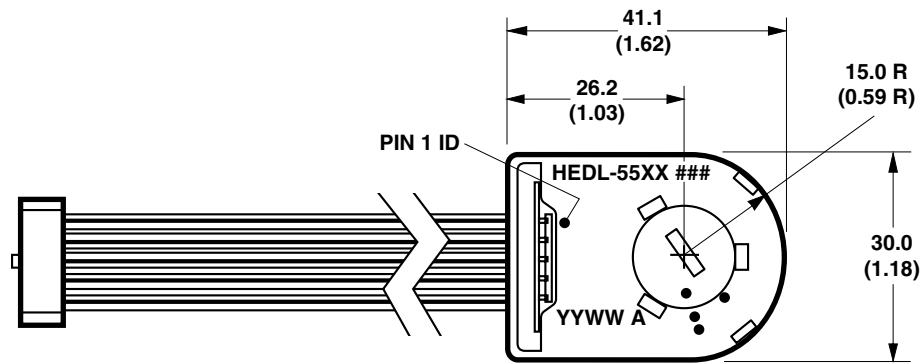
### Device Characteristics

Parameter	Characteristic	Notes
Termination	10 conductor ribbon cable with 10 position IDC connector	See pinout
Electrical Outputs	Complementary outputs: A, $\bar{A}$ , B, $\bar{B}$ , I, $\bar{I}$	I and $\bar{I}$ available only on three channel encoders
Line Driver Components	AM26C31Q line driver IC, decoupling capacitor on PC board.	
Operating Temperature	-40°C to 70°C	
Storage Temperature	-40°C to 70°C	

**ESD WARNING:** NORMAL HANDLING PRECAUTIONS SHOULD BE TAKEN TO AVOID STATIC DISCHARGE.

## Line Driver Package Dimensions

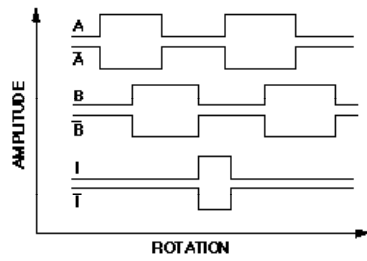
For detailed dimensions on encoder packages, please refer to the HEDM-55xx/56xx data sheet.



HEDL-556X

NOTE: DIMENSIONS IN MILLIMETERS (INCHES)

## Waveforms

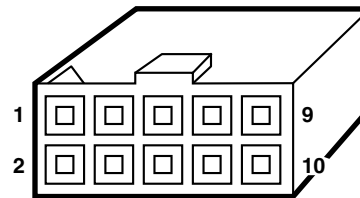
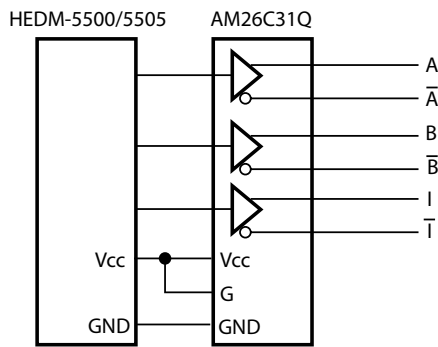


## Pinouts

### 10-PIN CONNECTOR

NO.	COLOR	PARAMETER
1	BROWN	NC
2	RED	V <sub>CC</sub> (+ 5 V)
3	ORANGE	GND
4	YELLOW	NC
5	GREEN	$\bar{A}$
6	BLUE	A
7	VIOLET	$\bar{B}$
8	GREY	B
9	WHITE	$\bar{I}$ (INDEX)
10	BLACK	I (INDEX)

## Block Diagram



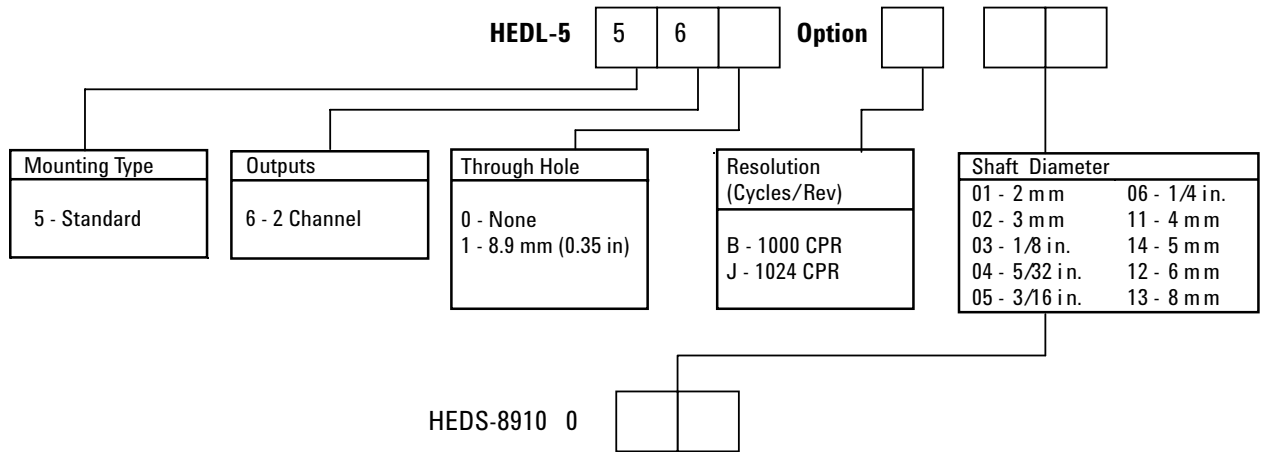
10 POSITION IDC CONNECTOR  
CENTER POLARIZED.

Note:  $\bar{I}$  only available on three channel encoders.

## Line Driver Base Parts Available:

Line Driver Base Part	Channels	Refer to the following encoder data sheet for additional information and option codes (XXX = resolution and/or shaft size)
HEDL-5560#XXX	A, B	HEDM-5500#XXX
HEDL-5561#XXX	A, B	HEDM-5505#XXX

## Ordering Information



(Included with each order of HEDL-556x two channel encoders)

		01	02	04	05	06	11	12	13	14
<b>HEDL-5560#</b>	<b>B</b>		*				*		*	*
<b>HEDL-5561#</b>	<b>J</b>					*				

For product information and a complete list of distributors, please go to our web site: [www.avagotech.com](http://www.avagotech.com)

Avago, Avago Technologies, and the A logo are trademarks of Avago Technologies, Limited in the United States and other countries. Data subject to change. Copyright © 2006 Avago Technologies Pte. All rights reserved. Obsoletes 5989-1823EN AV02-0992EN - January 30, 2008

