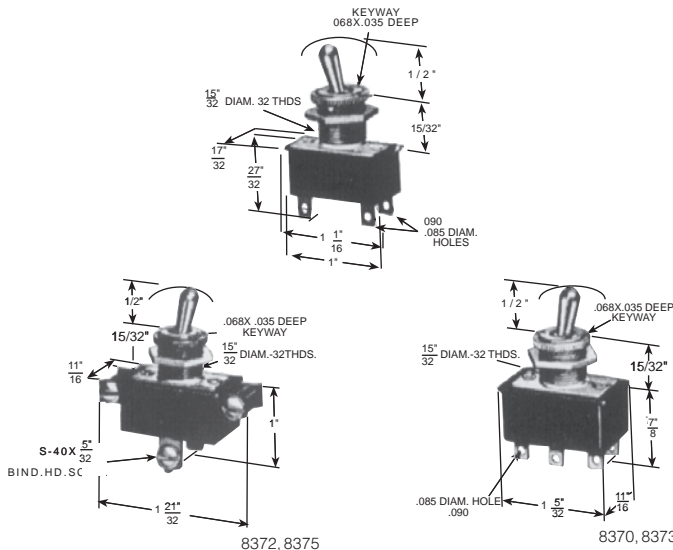


8381, 8396

### EATON LIGHT DUTY AC-DC TOGGLE SWITCHES

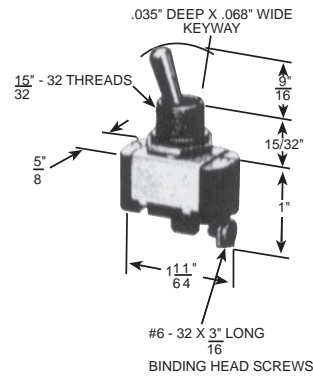
Exceptionally small in size, yet with unusually high ratings, these switches are designed for one hole mounting of panels, housings, etc. Used by small motor loads, electronic equipment, etc. Black phenolic case. All types, 1/32" shank except 8280K115 which has 1/16" shank. High speed quick make quick break mechanism. Bright nickel plated bat lever.

Cat. No.	Poles & Throw	Amps-AC-DC		Term	Net Price
		125V	250V		
8381K108	SPST	6	3	Lug	\$4.31
8396K108	SPST	6	3	Screw	5.65
8391K108	SPST	6	3	Wire	5.44



Cat. No.	Poles & Throw	Amps-AC-DC		Term	Net Price
		125V	250V		
8282K114	SPDT	3	1	Lug	\$5.76
8280K116	SPST	—	3	Lug	4.51
8290K116	SPST	—	3	Wire	5.40
8295K108	SPST	—	3	Screw	6.37

Cat. No.	Poles & Throw	Amps-AC-DC		Term	Net Price
		125V	250V		
8370K107	DPST	6	3	Lug	\$7.50
8371K107	DPST	6	3	Wire	10.50
8372K107	DPST	6	3	Screw	10.00
8373K107	DPDT	6	3	Lug	9.41
8374K107	DPDT	6	3	Wire	12.86
8375K107	DPDT	6	3	Screw	12.06

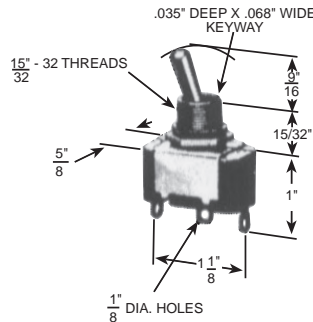


### EATON AC TOGGLE SWITCHES SLOW MAKE AND BREAK

Designed for use on AC only, these switches offer higher, smaller size and decided economies over switches designed for AC-DC applications, due to the reduction in arcing on AC and the resulting simpler contact mechanisms. All types are one hole mounting, 1/32" shank.

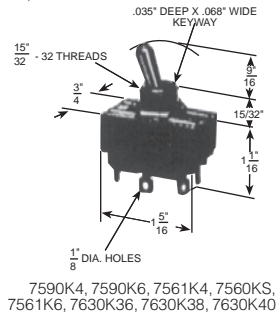
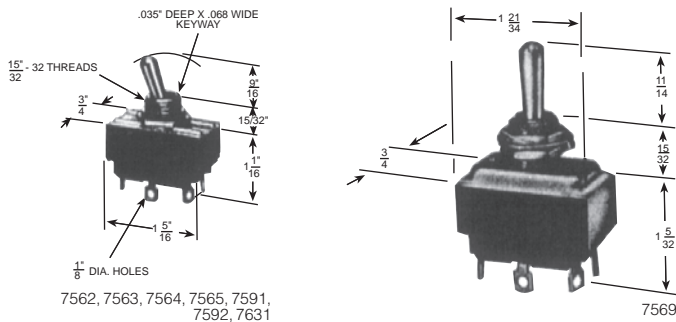
Cat. No.	Poles & Throw	Amps-A.C.		H.P.-A.C.		Term.	Net Price
		125V	250V	125V	250V		
7580K6	SPST	6	3	—	—	Lug	\$2.97
7580K4	SPST	6	3	—	—	Lug Screw	3.26
7501K13	SPST	15	10	—	3/4	Lug	2.92
7500K14	SPST	15	10	—	3/4	Screw	3.02
7501K15	SPST	15	10	—	3/4	Spade*	2.70
7546K36	SPST	20	10	—	3/4	Screw	5.06
7546K38	SPST	20	10	—	3/4	Solder	4.31
7546K40	SPST	20	10	—	3/4	Spade*	4.65

\*.250" Quick Connect.



Cat. No.	Poles & Throw	125V	Amps-A.C.		125V	H.P.-A.C.	Net Price
			250V	250V			
7581K4	SPDT Center Off	6	3	—	—	Screw	\$3.92
7581K6	SPDT Center Off	6	3	—	—	Lug	3.47
7581K8	SPDT Center Off	6	3	—	—	Spade*	3.22
7505K4	SPDT	15	10	—	3/4	Lug	3.83
7504K4	SPDT	15	10	—	3/4	Screw	4.53
7503K13	SPDT Center Off	15	10	—	3/4	Lug	3.83
7502K13	SPDT Center Off	15	10	—	3/4	Screw	4.53
7503K15	SPDT Center Off	15	10	—	3/4	Spade*	3.83
7505K6	SPDT	15	10	—	3/4	Spade*	3.54
7547K36	SPDT Center Off	20	10	—	3/4	Screw	6.44

\*.250" Quick Connect.

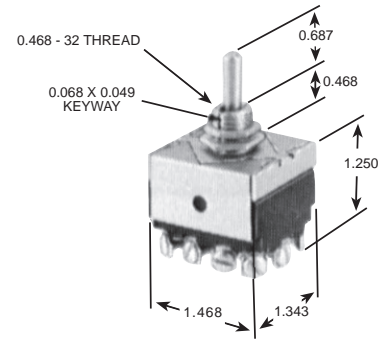


Cat. No.	Poles & Throw	Amps-A.C.		H.P.-A.C.		Term.	Net Price
		125V	250V	125V	250V		
7592K6	DPDT	6	3	—	—	Lug	\$4.78
7592K4	DPDT	6	3	—	—	Screw	6.28
7591K4	DPDT	6	3	—	—	Screw	6.73
7591K6	Center Off DPDT	6	3	—	—	Lug	5.03
7565K5	DPDT	15	10	—	3/4	Lug	5.51
7564K5	DPDT	15	10	—	3/4	Screw	6.73
7565K7	DPDT	15	10	—	3/4	Spade*	5.89
7631K36	DPDT	20	10	—	3/4	Screw	9.11
7563K4	Center Off DPDT	15	10	—	3/4	Lug	5.89
7563K6	Center Off DPDT	15	10	—	3/4	Spade*	5.51
7562K4	Center Off DPDT	15	10	—	3/4	Screw	7.28
7569K36	DPDT+ Center Off	15	10	—	1/2	Screw	12.42

\*.250" Quick Connect.  
†Momentary contact both directions.

Cat. No.	Poles & Throw	Amps-A.C.		H.P.-A.C.		Term.	Net Price
		125V	250V	125V	250V		
7590K4	DPST	6	3	—	—	Screw	\$5.33
7590K6	DPST	6	3	—	—	Lug	4.60
7561K4	DPST	15	10	—	3/4	Lug	5.03
7560K5	DPST	15	10	—	3/4	Screw	5.89
7561K6	DPST	15	10	—	3/4	Spade*	4.29
7630K36	DPST	20	10	—	3/4	Screw	8.30
7630K38	DPST	20	10	—	3/4	Lug	6.76
7630K40	DPST	20	10	—	3/4	Spade*	6.28

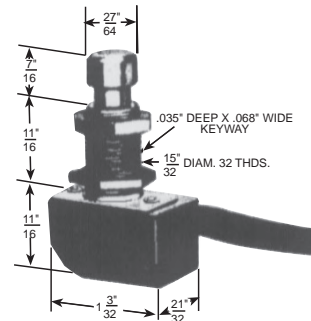
\*.250" Quick Connect.



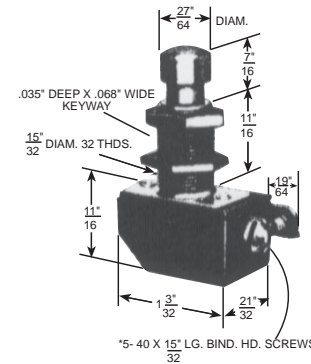
## SPECIAL PURPOSE SLOW MAKE SLOW BREAK AC TOGGLE SWITCHES

One hole mounting. Butt action contacts mechanism designed specifically for use on AC and low voltage DC applications. Stainless steel operating lever. Mounting hardware consists of one hexagon locknut, and one bright nickel plate hexagon facenut, terminal screws furnished unassembled. Patented interlock mechanism prevents operation of lever through the centre position until pressure is momentarily relieved. Specifically designed for control and protection of reversing motors. Listed ratings for 125 VAC also apply at 28 VDC.

Cat. No.	Poles & Throw	Amps-A.C.		H.P.-A.C.		Term.	Net Price
		125V	250V	125V	250V		
7992K10	2 P.D.T.	15	10	—	3/4	Screw	\$21.81
7991K10	3 P.D.T.	15	10	—	3/4	Screw	26.23
7990K10	4 P.D.T.	15	10	—	3/4	Screw	33.69



7207

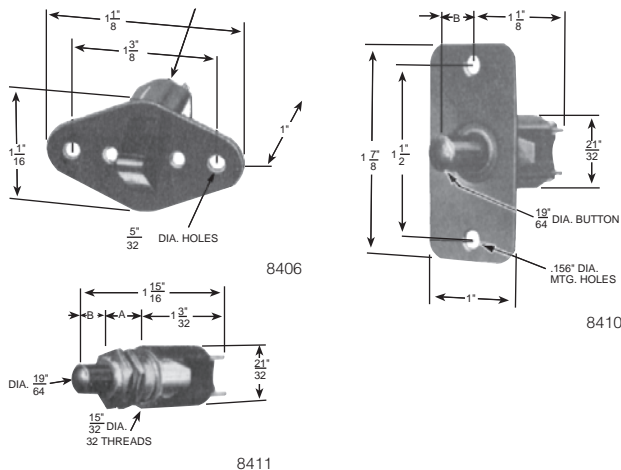


7208

## EATON PUSHBUTTON SWITCHES

Pushbutton operated switches offer definite advantages for certain appliances where their use affords greater convenience or improved appearance. All types are single hole mounting. Plungers are bright nickel plated. Model 7208K104 has screw terminals and model 7207K104 has 6" wire leads.

Cat. No.	Poles & Throw	Operation	Bushing Length	Amps-AC-DC		Net Price
				125V	250V	
7207K104	SPST	Push On/ Push Off	1 1/16"	6	3	\$12.70
7208K104	SPST	Push On/ Push Off	1 1/16"	6	3	11.36

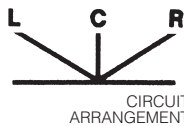
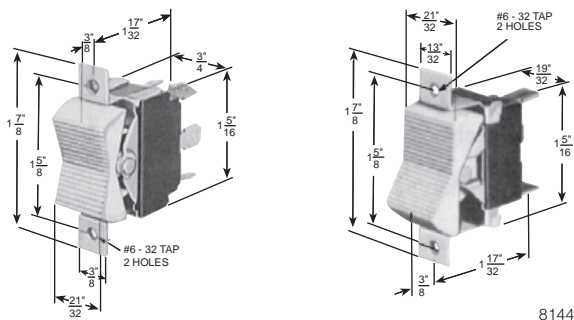


## EATON DOOR OPERATED SWITCHES

Used wherever it is desired to control current by the opening and closing of a door on refrigerators, closets, etc. Type 8411K12 is normally open (Off when door is opened). All others are normally closed (On when door is opened). Type 8406K1—rocker arm. All others—Pushbutton action.

Cat. No.	Button Extension	Amps-AC-DC		Term.	Mounting	Net Price
		125V	250V			
8406K1	—	.75	.25	Screw	Flush 2S	\$4.38
8410K1	29/64"	.75	.25	Screw	Flush 2S	3.74
8411K7	13/32"	.75	.25	Screw	15/32" Bush.	3.24
8411K8	13/32"	.75	.25	Lug	15/32" Bush.	2.72
8411K12	3/8"	.75	.25	Screw	15/32" Bush.	2.95

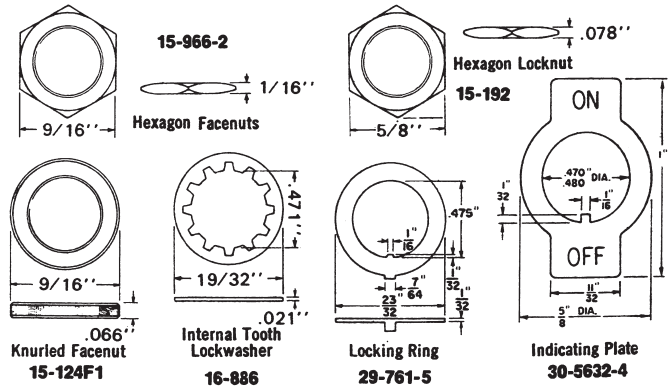
Note: 8411K12 Normally Open Contacts. All others Normally Closed Contacts.



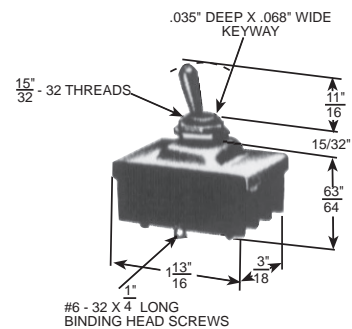
## EATON ROCKETTE SWITCHES

Created to meet the growing trend to more highly stylized appliances, instrument panels, office equipment, etc. The heat resistant nylon rockers are white. Switches mount flush, and have .250" spade terminals. The AC switch mechanism has been proven for reliability in millions of applications. Rating: 10 Amp 250V AC, 15 Amp 125V AC, 3/4 HP 250V AC.

Cat. No.	Rocker Position			Poles & Throws	Net Price
	L	C	R		
8144K20A1M52	On	Off	On	SPDT	\$9.88
8144K21A1M52	On	None	Off	SPST	6.82
8142K21E6M52	On	None	Off	DPST	6.08

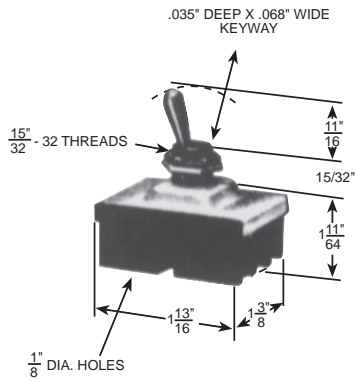


Cat. No.	Description	Net Price
<b>HEXAGON LOCKNUT (15/32-32 THREAD)</b>		
15-192	Zinc Plated Steel	\$ .07
<b>HEXAGON FACENUT (15/32-32 THREAD)</b>		
15-966-2	Nickel Plated Brass	.16
<b>KNURLED FACENUT (15/32-32 THREAD)</b>		
15-124F1	Nickel Plated Brass	.09
<b>INTERNAL TOOTH LOCKWASHER</b>		
16-3557	Cadmium Plated Steel	.07
<b>LOCKING RING</b>		
29-761-5	Cadmium Plated Steel	.18
<b>INDICATING PLATES (BOTTOM KEYWAY OFF)</b>		
30-5632-4	Burnished Nickel	.23
<b>PANEL SEAL (FOR 15/32 INCH BUSHING)</b>		
32-341	Stainless steel cup washer with silicone rubber seal.	5.01

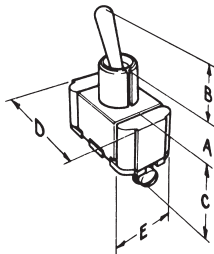


Cat. No.	Poles & Throw	Amps-A.C.		H.P.-A.C.		Term.	Net Price
		125V	250V	125V	250V		
7700K1	3PST	15	10	—	3/4	Lug	\$9.84
7700K2	3PST	15	10	—	—	Screw	11.43
7700K3	3PST	15	10	—	3/4	Spade*	9.84
7701K1	3PDT Center Off	15	10	—	3/4	Lug	12.15
7701K3	3PDT Center Off	15	10	—	3/4	Spade*	12.15
7702K1	3PDT 2 Pos. w/o Off	15	10	—	3/4	Lug	12.15
7701K2	3PDT Center Off	15	10	—	3/4	Screw	14.55
7702K2	3PDT	15	10	—	3/4	Screw	14.58
7702K3	3PDT	15	10	—	3/4	Spade*	12.15

\*.250" Quick Connect



Cat. No.	Poles & Throw	Amps-A.C.		H.P.-A.C.		Term.	Net Price
		125V	250V	125V	250V		
7933K36	4PST	20	10	—	3/4	Screw	\$17.41
7934K36	4PST Center Off	20	10	—	3/4	Screw	19.59



## EATON GENERAL PURPOSE TOGGLE SWITCHES 7300 & 7500 SERIES AC RATED

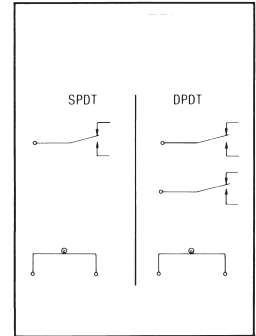
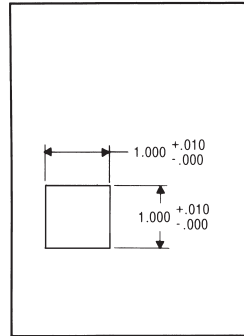
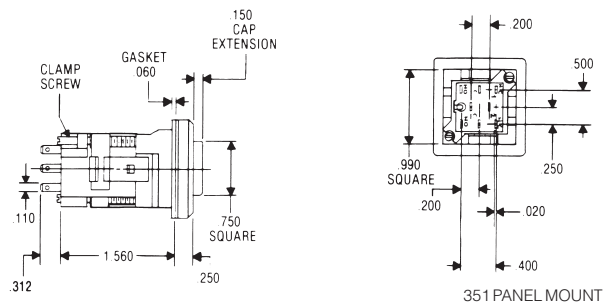
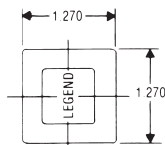
### SPECIFICATIONS:

- One hole mount
- Slow make, slow break contacts
- Mounting hardware and terminal screws supplied unassembled
- Keyway—0.068" x 0.035" deep—provides antirotational feature
- Butt action contact mechanism designed specifically for use on AC and low voltage DC applications
- Threaded bushing—0.468"-32
- Ratings listed for 125VAC also apply at 28VDC
- Mounting hardware consists of two mounting nuts

Switch No.	Dimensions, Inches				
	A	B	C	D	E
7315K36	0.468	0.468	0.875	1.328	0.750
7506K4	0.469	0.563	1.000	1.171	0.625
7509K5	0.469	0.563	1.000	1.171	0.625

Cat. No.	Lever			Terminal	Net Price
	Up	Center	Down		
<b>DPDT—15 AMP @ 125VAC; 6 AMP @ 250VAC</b>					
7315K36	On	Off	On*	Screw	\$24.15
<b>SPST—10 AMP @ 250VAC; 1/2HP @ 250VAC</b>					
7506K4	Off	None	On*	Screw	5.89
<b>SPDT—10 AMP @ 250VAC; 1/2HP @ 250VAC</b>					
7509K5	On*	Off	On*	Screw	6.21

\*Momentary Contact



## EATON 351 SERIES 3/4" SQUARE SEALED ILLUMINATED PUSHBUTTON SWITCHES FOR T-1 1/4" WEDGE BASE INCANDESCENT LAMP (LESS LAMP)

### FEATURES:

- Industrial-Commercial-Military use
- Meets requirements of MIL-S-22885
- Suitable for Application in Oiltight NEMA 4 and 13 enclosures
- Meets Double Insulating Requirements
- U.L. Recognized and C.S.A. Certified
- Front Panel Relampable
- Removable from Front of Panel
- Illuminated or Non-Illuminated

### 351 SERIES SPECIFICATIONS:

- Action:** Momentary; Alternate positive latch down. Break before make.
- Switch Circuitry:** Silver contacts, 10 Amps @ 125VAC or 250VAC; Gold contacts, 0.1 Amp @ 125VAC/DC; UL recognized, CSA certified.
- Switch Electrical Ratings:** Panel sealed by gasket; Switch sealed inside; Meets requirements of MIL-S-22885, splashproof; Suitable for application in oiltight NEMA 4 and 13 enclosures; Will operate with pushbutton under 1/2" column of water. .020" x .110" terminations suitable for solder or female 110 connectors.
- Sealing:** 3/4" square.
- Termination Type:** Front panel mounting; Stainless steel retaining clips; .040" to .188" panel thickness; Tighten from front or rear of panel; Military type mounting hardware.
- Pushbutton:** Front relampable; Lamp stationary to reduce mechanical shock to filament.
- Mounting:** .190".
- Lamp:**
- Pushbutton Travel:**

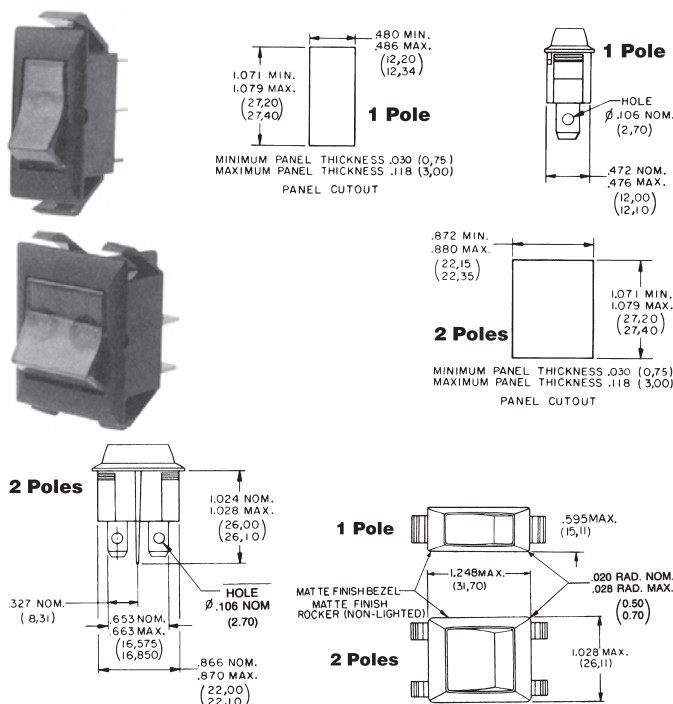
Cat. No.	Switch		Net Price
	Action	Circuit	
351K11810	Momentary	SPDT	\$44.32
351K12810	Momentary	DPDT	32.68
351K21810	Alternate	SPDT	65.52
351K22810	Alternate	DPDT	32.94

### PUSHBUTTON CAPS FOR 351 SERIES

Cat. No.	Translucent Colour	Net Price
<b>MATTE FINISH</b>		
250PM00A	Orange	\$1.63
250PM01A	White	1.63
250PM02A	Red	1.63
250PM03A	Green	1.63

Cat. No.	Description
<b>SWITCH BASE NO ACTUATOR</b>	
SARMXX	Above panel, DPST, ON-NONE-ON, non illuminated
SDSMLX	Above panel, DPDT, ON-OFF-ON, 14V amber LED top
SF4MLL	Above panel, DPDT, MOM ON-OFF-MOM ON, 14V amber LED top and bottom
SARSXX	Below panel, DPST, ON-NONE-ON, non-illuminated
SDSSKX	Below panel, DPST, ON-NONE-ON, 14V green LED top
SF4SKK	Below panel, DPST, MOM ON-OFF-MOM ON, 14V green LED top and bottom
<b>ACTUATOR ONLY</b>	
CXXXXXXX	Plain black rocker (Above panel)
DWXXXXXX	Single snap-in white lens (top) black rocker (Above panel)
FWXXWXXX	Dual snap-in white lens black rocker (Above panel)
1XXXXXXX	Plain black rocker (Below panel)
2GXXXXXX	Single snap-in green lens (top) black rocker (Below panel)
4GXGXXX	Dual snap-in green lens black rocker (Below panel)
5XXXXXXX	Plain black paddle actuator
<b>ACCESSORIES</b>	
25-13936	Connector
17-22145	Panel plug
17-22146	Gang mount system
17-22152	Center
32-2245	Panel seal (Above panel only)

NOTE: Contact your Electro Sonic sales representative for pricing.



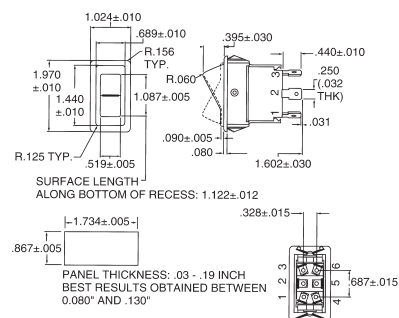
## EATON MIDSIZE SNAP-IN NON-LIGHTED AC ONLY ROCKER SWITCHES

Aesthetically pleasing, ruggedly functional, these switches are ideal for upfront applications where both appearance and reliability are required. The smoothly

rounded bezel and gently contoured rocker have a soft matte finish that blends in with the most sophisticated product designs. Ideal applications include appliances, electronic instrumentation, data processing, communications, medical and office equipment and many others in both domestic and foreign markets. These 10A to 22A @ 125VAC switches are available in SPST, DPST and DPDT circuitry. The 1500 Series type base requires a cutout: .480"-.486" Wide x 1.071"-1.079" Long; the 2500 Series type base: .872"-.880" Wide x 1.071"-1.079" Long. Panel thickness .030" min. to .118" max.

## EATON MIDSIZE ROCKER SWITCHES

Cat. No.	Switch Action			Switch Circuit	Net Price
	Up	Center	Down		
<b>15 AMP, SILVER INLAY OVER COPPER CONTACTS—BLACK ACTUATOR—BLACK BEZEL</b>					
1504-11E	On	Off	On	SPDT	\$1.72
2500-11E	On	None	Off	DPST	2.09
2504-11E	On	Off	On	DPDT	3.81
<b>16 AMP, SILVER INLAY OVER COPPER CONTACTS—BLACK ACTUATOR—BLACK BEZEL</b>					
1600-11E	On	None	Off	SPST	1.34



## EATON 8004 AND 8005 SERIES FULL SIZE EURO-LOOK ROCKER SWITCHES

Eaton's 8004 and 8005 Euro-Look Series features matte finish European style and snap-in mounting. These durable switches, field-tested in the most demanding truck and marine applications, are available in two-face illuminated or non-illuminated. All switches in this rugged line are sealed against moisture and dust. Also these switches can be gang-mounted into a single panel cutout. Illuminated lamp wiring: Dependent on circuit. Bulb voltage for illuminated switches: 14VDC. Ratings: 15 amps @ 125V ac, 15 amps at 28 V dc. Terminal type: Brass. Base material: Thermoset molding, black. Dielectric: 1,000 volts RMS minimum. Non-illuminated rocker style: Two face. Illuminated rocker style: Two face w/1 lens.

Cat. No.	Switch Action	Switch Circuit	Rocker Colour	Lens Colour	Net Price
<b>NON-ILLUMINATED SWITCH, 0.250" SPADE TERMINAL</b>					
8004K23N1V2	On-None-Off	SPST	Black	—	\$6.46
8004K20N1V2	On-Off-On	SPDT	Black	—	7.30
8004K26N1V2	On-None-On	SPDT	Black	—	7.30
8004K32N1V2*	On-None-On	DPST	Black	—	8.62
8004K43N1V2	On-None-On	DPST	Black	—	7.50
8004K40N1V2	On-Off-On	DPDT	Black	—	8.37
8004K46N1V2	On-None-On	DPDT	Black	—	8.37
8004K525N1V2*	On-Off-On	DPST	Black	—	8.83
<b>NON-ILLUMINATED SWITCH, SOLDER LUGS</b>					
8004K24N1V2	On-None-Off	SPST	Black	—	6.94
8004K21N1V2	On-Off-On	SPDT	Black	—	6.92
8004K27N1V2	On-None-On	SPDT	Black	—	7.80
8004K44N1V2	On-None-On	DPST	Black	—	8.07
8004K41N1V2	On-Off-On	DPDT	Black	—	8.98
8004K47N1V2	On-None-On	DPDT	Black	—	8.98
<b>NON-ILLUMINATED SWITCH, SCREW TERMINALS</b>					
8004K25N1V2	On-None-Off	SPST	Black	—	6.22
8004K22N1V2	On-Off-On	SPDT	Black	—	6.39
8004K28N1V2	On-None-On	SPDT	Black	—	8.16
8004K45N1V2	On-None-On	DPDT	Black	—	8.40
8004K42N1V2	On-Off-On	DPDT	Black	—	8.35
8004K48N1V2	On-None-On	DPDT	Black	—	8.49

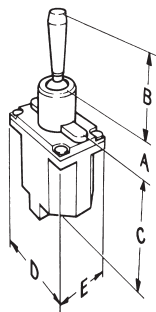
\*Momentary contacts

†Rocker Style: Two Face w/2 Lenses

NOTE: Panel Plugs, Connectors and Gang Mounting Systems are Available

Continued on next page....





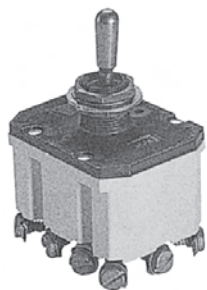
## EATON 8510 SERIES ENVIRONMENTALLY SEALED TOGGLE SWITCH

Completely sealed against dust, moisture and other contaminants including a frame to body seal that meets Commercial hose down tests. Features a reliable momentary action with positive detent action. These switches have molded-in terminal inserts with molded-in terminal identification. Switches come completely assembled with #6-32 UNC-2A terminal screws and mounting hardware for 1 1/2 x 0.469 bushing. Use of the panel seal **32-341** is recommended to prevent moisture and contaminants from entering panel enclosures. (Not included, order separately.)

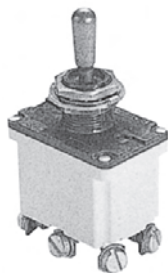
No. of Poles	Dimensions, Inches				
	A	B	C	D	E
1	0.469	0.69	1.180	1.270	0.635

Cat. No.	Lever			Terminal	Net Price
	Up	Center	Down		
<b>SPDT—15 AMP @ 115VAC; 15 AMP @ 28VDC</b>					
<b>8510K2</b>	On*	Off	On*	Screw	<b>\$20.31</b>
<b>32-341</b>	Panel seal				<b>5.01</b>

\*Momentary contact.



8532



8531



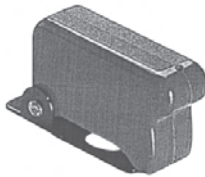
8530



8497K2



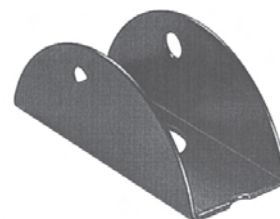
8497K1  
8497K3  
8497K7



8496K2



8495K1



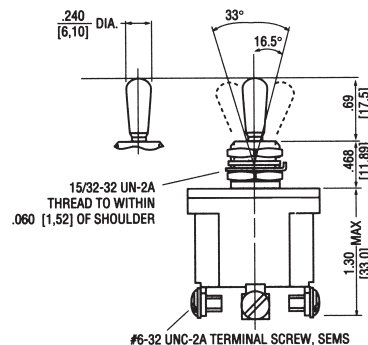
8492K1

## EATON INDUSTRIAL GRADE SWITCH GUARDS

**FEATURES:** For use with 2 or 3 position switches. Metal and molded covers. Flush and one hole mounted (OHM) mounting styles. MS approved and QPL'd per MIL-G-7703. Covers are molded out of thermoset molding materials. Guard covers are spring loaded to either close or lock in open position. One hole mounting and three hole mounting available. Keyway orientation variations offered on some guards.

Cat. No.	Switch Mounting	Switch Positions	Lever Material	Colour	Location of Keyway Tab	Net Price Each		
						1-24	25-49	50-Up
<b>8497K2</b>	Flush	2	Phenolic	Red	—	<b>\$19.52</b>	<b>\$18.01</b>	<b>\$16.73</b>
<b>8495K1</b>	Flush/OHM	2 or 3	Metal**	Black	—	<b>18.27</b>	<b>16.86</b>	<b>15.66</b>
<b>8496K2</b>	OHM	3	Phenolic	Red	Opp. Hinged End	<b>17.83</b>	<b>16.46</b>	<b>15.28</b>
<b>8497K1</b>	OHM	2	Phenolic	Red	Opp. Hinged End	<b>19.35</b>	<b>17.86</b>	<b>16.59</b>
<b>8497K3</b>	OHM	2	Phenolic	Red	Hinged End	<b>19.52</b>	<b>18.01</b>	<b>16.73</b>
<b>8497K7</b>	OHM	2	Phenolic	Red	Opp. Hinged End	<b>24.57</b>	<b>22.68</b>	<b>21.06</b>
<b>8492K1</b>	OHM	2 or 3	Metal**	Black	Opp. Pin Hole	<b>8.56</b>	<b>7.91</b>	<b>7.34</b>

\*\* Guard has no moving lever

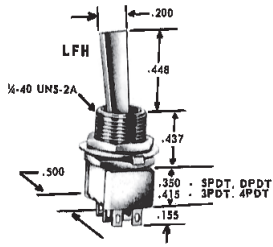


## EATON 8500 SERIES ENVIRONMENTALLY SEALED TOGGLE SWITCHES

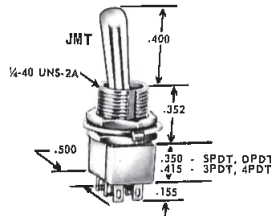
**SPECIFICATIONS:** Watertight seal per MIL-std-108E and designed to meet IP68. UL recognized and CSA certified. Terminals: Screw: 6-32 UNC-2A. Life: 50,000 operations at rated load. 100,000 operations mechanical life. Temperature Range: -50°F to +150°F (-46°C to +66°C). Other types of terminations offered: Solder lug and spade terminals.

Cat. No.	Lever Action			Net Price Each		
	Up	Centre	Down	1-24	25-49	50-Up
<b>ONE POLE</b>						
<b>8530K1</b>	On	Off	On	<b>\$17.00</b>	<b>\$15.69</b>	<b>\$14.57</b>
<b>8530K2</b>	On*	Off	On*	<b>17.00</b>	<b>15.69</b>	<b>14.57</b>
<b>8530K10</b>	On	None	Off*	<b>17.00</b>	<b>15.69</b>	<b>14.57</b>
<b>8530K11</b>	Off	None	On*	<b>17.00</b>	<b>15.69</b>	<b>14.57</b>
<b>8530K3</b>	On	Off	On*	<b>17.00</b>	<b>15.69</b>	<b>14.57</b>
<b>8530K12</b>	On*	On	None	<b>20.89</b>	<b>19.28</b>	<b>17.90</b>
<b>8530K13</b>	On	On	None	<b>20.89</b>	<b>19.28</b>	<b>17.90</b>
<b>TWO POLE</b>						
<b>8531K1</b>	On	Off	On	<b>23.90</b>	<b>22.06</b>	<b>20.49</b>
<b>8531K2</b>	On*	Off	On*	<b>23.90</b>	<b>22.06</b>	<b>20.49</b>
<b>8531K10</b>	On	None	Off*	<b>23.90</b>	<b>22.06</b>	<b>20.49</b>
<b>8531K3</b>	On	Off	On*	<b>23.90</b>	<b>22.06</b>	<b>20.49</b>
<b>FOUR POLE</b>						
<b>8532K9</b>	On	None	Off	<b>38.76</b>	<b>35.78</b>	<b>33.22</b>
<b>8532K4</b>	On	None	On	<b>38.76</b>	<b>35.78</b>	<b>33.22</b>
<b>8532K5</b>	On	None	On*	<b>38.76</b>	<b>35.78</b>	<b>33.22</b>
<b>8532K2</b>	On*	Off	On*	<b>38.76</b>	<b>35.78</b>	<b>33.22</b>
<b>8532K11</b>	Off	None	On*	<b>38.76</b>	<b>35.78</b>	<b>33.22</b>

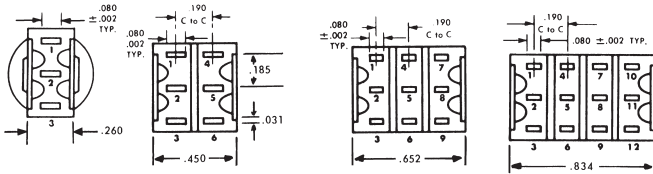
\* Momentary Contacts



FLAT LEVER



BAT LEVER



## ELECTROSWITCH SUB-MINIATURE TOGGLE SWITCHES

The Sub-miniature switches illustrated on this page combine drastic reduction in size and weight with the trouble-free construction built into standard-size switches. Switching contacts and rockers are coin silver; centre terminal silver plated. Switch bodies are molded of green plastic selected for high strength and arc resistance. Switches with bright chrome-plated bat handles have .352" shank length. Switches with satin chrome flat handles have .437" shank length and may be used on panels up to 1/4" thick.

### SPECIFICATIONS:

**Rating:** 5Amp @ 125VAC and 24VDC resistive load.  
**Initial contact resistance:** 5 milliohms maximum @ 3VDC, 100mA.  
**Insulation Resistance:** 10,000 Megohms minimum.  
**Dielectric Strength:** 1000V RMS at sea level.  
**Life Under Load:** 100,000 make-and-break cycles maximum.

### BAT LEVER

Cat. No.	Lever			Net Price Each		
	Up	Centre	Down	1-49	50-99	100-Up

#### SPDT—3 SOLDER LUG TERMINALS

A121S1YZQ	On	Off	On	\$6.92	\$5.54	\$4.61
A123S1YZQ	On	None	On	6.23	5.07	4.15
A126S1YZQ	On	None	On*	6.92	5.54	4.61
A127S1YZQ	On*	Off	On*	5.98	5.01	4.36
A131S1YZQ	On	Off	On*	6.92	5.54	4.61
A134S1YZQ	None	On	On*	6.92	5.54	4.61

#### DPDT—6 SOLDER LUG TERMINALS

A221S1YZQ	On	Off	On	9.92	8.07	6.69
A223S1YZQ	On	None	On	8.76	7.38	6.00
A226S1YZQ	On	None	On*	9.92	8.07	6.69
A227S1YZQ	On*	Off	On*	9.92	8.07	6.69
A231S1YZQ	On	Off	On*	10.84	9.00	7.38
A232S1YZQ	On	On	On(A)	10.84	9.00	7.38
A233S1YZQ	On	On	On*(A)	10.84	9.00	7.38
A234S1YZQ	None	On	On*	10.84	9.00	7.38
A235S1YZQ	On*	On	On*(A)	10.84	9.00	7.38

#### 3PDT—9 SOLDER LUG TERMINALS

A321S1YZQ	On	Off	On	16.14	13.38	11.07
A323S1YZQ	On	None	On	13.95	10.91	9.55
A327S1YZQ	On*	Off	On*	19.60	16.14	13.38

#### 4PDT—12 SOLDER LUG TERMINALS

A421S1YZQ	On	Off	On	21.91	17.99	14.99
A423S1YZQ	On	None	On	20.53	17.07	14.07
A427S1YZQ	On*	Off	On*	21.91	17.99	14.99
A431S1YZQ	On	Off	On*	21.91	17.99	14.99
A432S1YZQ	On	On	On(B)	25.37	20.76	17.30
A433S1YZQ	On	On	On*(B)	25.37	20.76	17.30
A434S1YZQ	None	On	On*	25.37	20.76	17.30
A435S1YZQ	On*	On	On*(B)	25.37	20.76	17.30

\*Momentary

### FLAT LEVER

Cat. No.	Lever			Net Price Each		
	Up	Centre	Down	1-49	50-99	100-Up

#### SPDT—3 SOLDER LUG TERMINALS

A121P32Y5ZQ	On	Off	On	\$8.76	\$7.38	\$6.00
A123P32Y5ZQ	On	None	On	8.76	7.38	6.00
A126P32Y5ZQ	On	None	On*	9.46	7.84	6.46
A127P32Y5ZQ	On*	Off	On*	9.46	7.84	6.46
A131P32Y5ZQ	On	Off	On*	9.46	7.84	6.46
A134P32Y5ZQ	None	On	On*	7.19	6.22	5.57

#### DPDT—6 SOLDER LUG TERMINALS

A221P32Y5ZQ	On	Off	On	12.46	10.38	8.53
A223P32Y5ZQ	On	None	On	11.53	9.46	7.84
A227P32Y5ZQ	On*	Off	On*	9.50	8.26	7.45
A232P32Y5ZQ	On	On	On(A)	13.61	11.07	9.23
A235P32Y5ZQ	On*	On	On*(A)	11.12	9.55	8.61

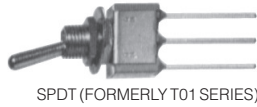
#### 3PDT—9 SOLDER LUG TERMINALS

A321P32Y5ZQ	On	Off	On	18.91	15.68	12.92
A323P32Y5ZQ	On	None	On	17.53	14.53	11.99
A327P32Y5ZQ	On*	Off	On*	19.90	15.65	13.83

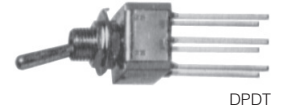
#### 4PDT—12 SOLDER LUG TERMINALS

A421P32Y5ZQ	On	Off	On	24.68	20.30	16.84
A423P32Y5ZQ	On	None	On	23.30	19.14	15.91
A432P32Y5ZQ	On	On	On(B)	22.77	17.84	15.83
A433P32Y5ZQ	On	On	On*(B)	27.91	23.06	19.14
A434P32Y5ZQ	None	On	On*	23.58	18.43	16.43

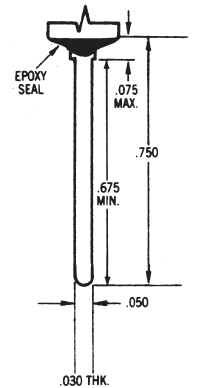
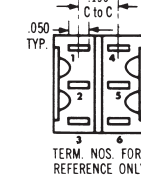
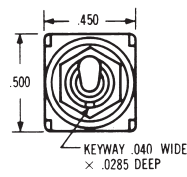
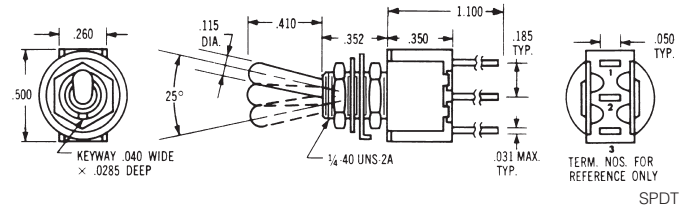
\*Momentary



SPDT (FORMERLY TO1 SERIES)



DPDT



DPDT

Note	Contact Sequence		
	Lever Left	Centre	Right (Keyway)
(A)	2-3 5-6	2-3 5-4	2-1 5-4
(B)	2-3, 8-9 5-6, 11-12	2-3, 8-9 5-4, 11-10	2-1, 8-7 5-4, 11-10

### BAT LEVER, WIRE-WRAP TERMINALS

Cat. No.	Lever			VA Max. @ 28V AC-DC	Net Price Each		
	Up	Centre	Down		1-49	50-99	100-Up

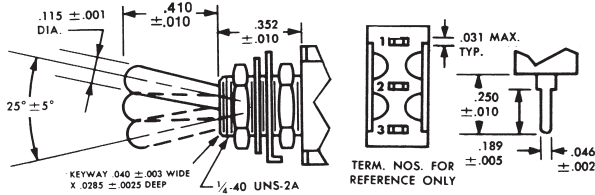
#### DPDT—6 WIRE-WRAP TERMINALS

A221S1YWB	On	Off	On	0.5	\$11.76	\$9.69	\$8.07
A223S1YWB	On	None	On	0.5	10.84	9.00	7.38
A226S1YWB	On	None	On*	0.5	11.76	9.69	8.07
A227S1YWB	On*	Off	On*	0.5	11.76	9.69	8.07
A231S1YWB	On	Off	On*	0.5	12.92	10.61	8.76

\*Momentary



DIRECT PC MOUNT



## PRINTED CIRCUIT BOARD SWITCHES

Printed circuit switches for direct insertion in PC boards. Epoxy seal is standard on all terminal options.

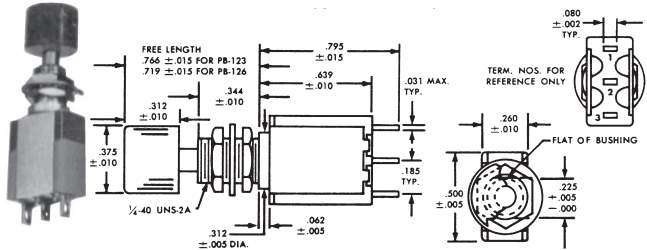
### BAT LEVER, PRINTED CIRCUIT TERMINALS

Cat. No.	Lever			Amps AC		Net Price Each		
	Up	Centre	Down	125V	250V	1-49	50-99	100-Up
<b>SPDT—3 PRINTED CIRCUIT TERMINALS</b>								
A121S1YCQ	On	Off	On	5	3	\$6.92	\$5.77	\$4.73
A123S1YCQ	On	None	On	5	3	6.23	5.30	4.27
A126S1YCQ	On	None	On*	5	3	6.92	5.77	4.73
A127S1YCQ	On*	Off	On*	5	3	6.92	5.77	4.73
A131S1YCQ	On	Off	On*	5	3	6.92	5.77	4.73
A134S1YCQ	None	On	On*	5	3	6.92	5.77	4.73
<b>DPDT—6 PRINTED CIRCUIT TERMINALS</b>								
A221S1YCQ	On	Off	On	5	3	10.15	8.30	6.92
A223S1YCQ	On	None	On	5	3	9.23	7.61	6.23
A226S1YCQ	On	None	On*	5	3	10.15	8.30	6.92
A227S1YCQ	On*	Off	On*	5	3	10.15	8.30	6.92
A231S1YCQ	On	Off	On*	5	3	11.30	9.23	7.61

\*Momentary

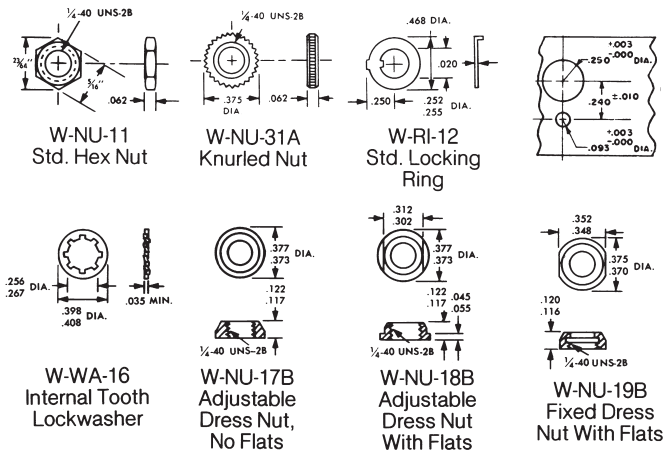
### LOCKING LEVER, SOLDER LUG TERMINALS

Cat. No.	Lever			Amps AC		Net Price Each		
	Up	Centre	Down	125V	250V	1-49	50-99	100-Up
<b>SPDT—3 SOLDER LUG TERMINALS</b>								
A121K12KZQ	On	Off	On	5	3	\$11.76	\$9.69	\$8.07
A123K12KZQ	On	None	On	5	3	11.30	9.23	7.61
<b>DPDT—6 SOLDER LUG TERMINALS</b>								
A221K12KZQ	On	Off	On	5	3	14.99	12.22	10.15
A223K12KZQ	On	None	On	5	3	13.84	11.53	9.46
A232K12KZQ	On	On	On(A)	5	3	15.91	13.15	10.84
<b>3PDT—9 SOLDER LUG TERMINALS</b>								
A321K12KZQ	On	Off	On	5	3	21.22	17.53	14.53
A323K12KZQ	On	None	On	5	3	19.84	16.38	13.61
<b>4PDT—12 SOLDER LUG TERMINALS</b>								
A421K12KZQ	On	Off	On	5	3	26.98	22.14	18.45
A423K12KZQ	On	None	On	5	3	20.11	17.46	15.78
A432K12KZQ	On	On	On(B)	5	3	30.44	24.91	20.76



## PUSHBUTTON SWITCHES

Cat. No.	Circuitry SPDT	Net Price Each		
		1-49	50-99	100-Up
PB-12331ZQ	Maintained action switch. Push to make contact and push to reverse action.	\$8.53	\$6.92	\$5.77
PB-12631ZQ	Momentary action switch. Normally open or normally closed (Determined by how wired).	8.76	7.38	6.00



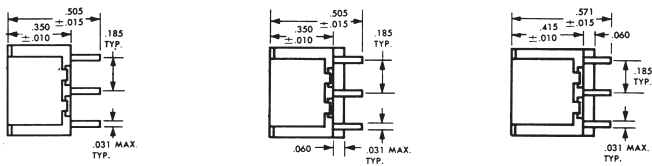
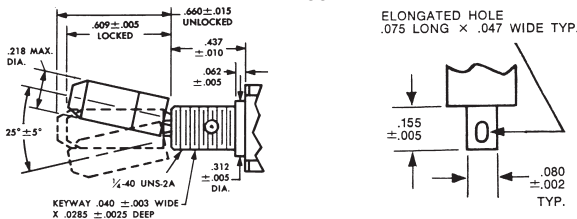
### PUSHBUTTON AND TOGGLE MOUNTING HARDWARE

For switches with 1/4-40 UNS-2A and 15/32-32 UNS bushings. Nuts and locking rings are brass, with plating as shown. The table lists quantity and type of hardware normally supplied with each switch. When mounting switch with locking ring, use drill pattern illustrated.

Cat. No.	Description	Plating	Standard With ( ) Lever		Net Price
			Bat	Flat	
W-NU-11	Hex Nut	Satin Chrome	2	1	\$ .09
W-NU-17B	Dress Nut, No Flats	Bright Nickel	—	1	.16
W-NU-18B	Dress Nut with Flats	Bright Nickel	—	—	.28
W-NU-19B	Dress Nut with Flats	Bright Nickel	—	—	.93
W-NU-31A	Knurled Facenut	Bright Nickel	—	—	.25
29-761-5	Std. Locking Ring for 15/32-32 bushing	Zinc Plate	—	—	.17
W-RI-12	Locking Ring	Bright Nickel	1	1	.06
W-WA-16	Lockwasher	Cadmium	1	1	.11



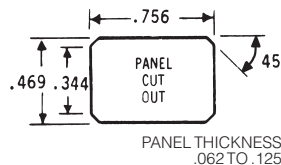
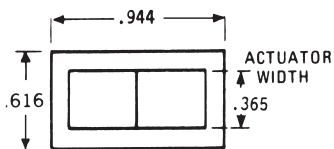
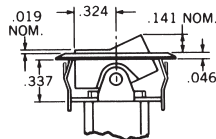
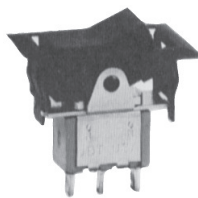
LEVER LOCK



## LOCKING LEVER SWITCHES

With self-locking levers that cannot be accidentally shifted. To be moved from one position to another, the spring-loaded locking mechanism must first be released by pulling out the top of the lever against spring tension.





PANEL THICKNESS  
.062 TO .125

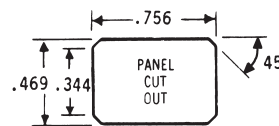
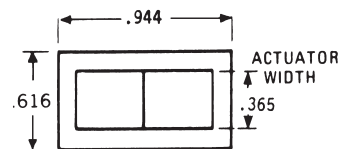
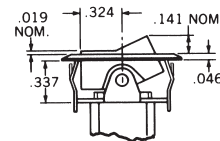
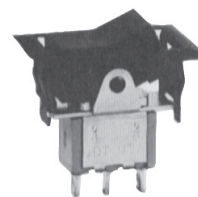
## ELECTROSWITCH MINIATURE ROCKER SWITCHES WITH SNAP-IN BEZEL

Economical miniature rocker switches with either SPDT or DPDT contact configurations—6 Amp, 125 VAC contact rating (coin silver contacts), and a snap-in Bezel that accommodates panel thicknesses from .062" to .125". These switches are available with **Red** or **Black** actuators and a matching **Black** Bezel.

### EATON MINIATURE ROCKER SWITCHES WITH SNAP-IN BEZEL

Cat. No. Solder Lug Terminals	Switch Action			Switch Circuit	Net Price Each	
	Up	Center	Down		1-49	50-Up
<b>6 AMP, COIN SILVER CONTACTS—BLACK COLOUR ACTUATOR, BLACK COLOUR BEZEL</b>						
B121J11ZQ22M	On	Off	On	SPDT	\$10.61	\$8.76
B123J11ZQ22M	On	None	On	SPDT	9.92	8.07
B126J11ZQ22M	On	None	On*	SPDT	10.61	8.76
B131J11ZQ22M	On	Off	On*	SPDT	10.61	8.76
<b>6 AMP, COIN SILVER CONTACTS—RED COLOUR ACTUATOR, BLACK COLOUR BEZEL</b>						
B121J11ZQ32M	On	Off	On	SPDT	7.66	7.66
B123J11ZQ32M	On	None	On	SPDT	6.86	6.86
B126J11ZQ32M	On	None	On*	SPDT	7.66	7.66
B127J11ZQ32M	On*	Off	On*	SPDT	7.66	7.66
B131J11ZQ32M	On	Off	On*	SPDT	7.66	7.66
<b>6 AMP, COIN SILVER CONTACTS—BLACK COLOUR ACTUATOR, BLACK COLOUR BEZEL</b>						
B221J11ZQ22M	On	Off	On	DPDT	13.61	11.07
B223J11ZQ22M	On	None	On	DPDT	8.93	7.86
B226J11ZQ22M	On	None	On*	DPDT	16.06	16.06
<b>6 AMP, COIN SILVER CONTACTS—RED COLOUR ACTUATOR, BLACK COLOUR BEZEL</b>						
B221J11ZQ32M	On	Off	On	DPDT	10.05	10.05
B223J11ZQ32M	On	None	On	DPDT	8.96	8.96
B226J11ZQ32M	On	None	On*	DPDT	10.28	10.28

\*Momentary Contact.



PANEL THICKNESS  
.062 TO .125

## ELECTROSWITCH MINIATURE ROCKER SWITCHES WITH SNAP-IN BEZEL

Economical miniature 3PDT or 4PDT rocker switches—6 Amp, 125VAC/28VDC; 3 Amp, 250VAC contact rating (coin silver contacts), with a snap-in Bezel that accommodates panel thicknesses from .062" to .125". These switches are supplied with either **Red** or **Black** actuators and a matching **Black** Bezel.

### EATON MINIATURE ROCKER SWITCHES WITH SNAP-IN BEZEL

Cat. No. Solder Lug Terminals	Switch Action			Switch Circuit	Net Price Each	
	Up	Center	Down		1-49	50-Up
<b>6 AMP, COIN SILVER CONTACTS—BLACK COLOUR ACTUATOR—BLACK COLOUR BEZEL</b>						
B321J11ZQ22M	On	Off	On	3PDT	\$16.78	\$13.39
B323J11ZQ22M	On	None	On	3PDT	18.68	15.22
B326J11ZQ22M	On	None	On*	3PDT	21.18	16.71
B327J11ZQ22M	On*	Off	On*	3PDT	23.30	19.14
B331J11ZQ22M	On	Off	On*	3PDT	23.30	19.14
<b>6 AMP, COIN SILVER CONTACTS—RED COLOUR ACTUATOR—BLACK COLOUR BEZEL</b>						
B321J11ZQ32M	On	Off	On	3PDT	16.78	16.78
B323J11ZQ32M	On	None	On	3PDT	15.84	15.84
B326J11ZQ32M	On	None	On*	3PDT	20.64	20.64
B327J11ZQ32M	On*	Off	On*	3PDT	20.64	20.64
B331J11ZQ32M	On	Off	On*	3PDT	20.64	20.64
<b>6 AMP, COIN SILVER CONTACTS—BLACK COLOUR ACTUATOR—BLACK COLOUR BEZEL</b>						
B421J11ZQ22M	On	Off	On	4PDT	25.60	21.22
B423J11ZQ22M	On	None	On	4PDT	24.22	20.07
B426J11ZQ22M	On	None	On*	4PDT	24.44	24.44
B427J11ZQ22M	On*	Off	On*	4PDT	25.60	21.22
B431J11ZQ22M	On	Off	On*	4PDT	25.60	21.22
<b>6 AMP, COIN SILVER CONTACTS—RED COLOUR ACTUATOR—BLACK COLOUR BEZEL</b>						
B421J11ZQ32M	On	Off	On	4PDT	20.55	20.55
B423J11ZQ32M	On	None	On	4PDT	19.28	19.28
B426J11ZQ32M	On	None	On*	4PDT	24.44	24.44
B427J11ZQ32M	On*	Off	On*	4PDT	25.85	20.45
B431J11ZQ32M	On	Off	On*	4PDT	25.23	19.96

\*Momentary Contact.