

4

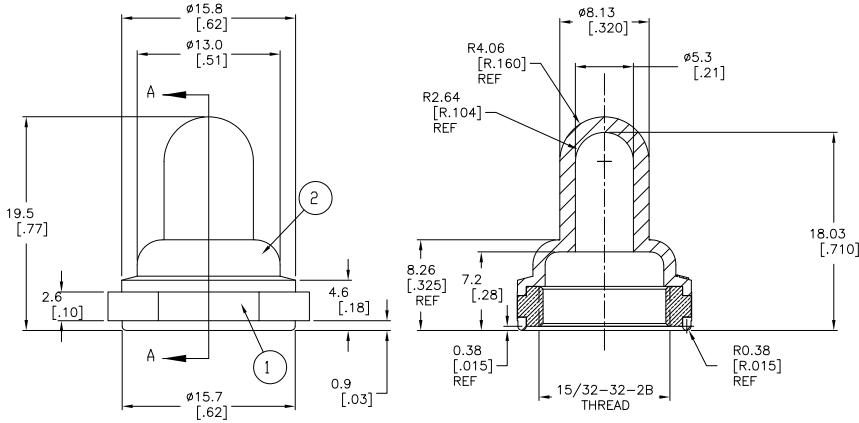
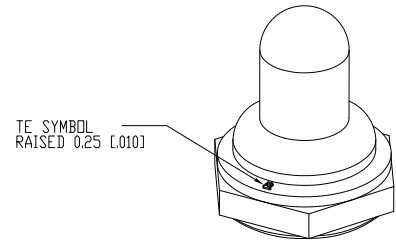
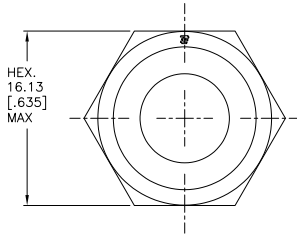
3

2

1

THIS DRAWING IS UNPUBLISHED. RELEASED FOR PUBLICATION.
 © COPYRIGHT - By - ALL RIGHTS RESERVED.

LOC	DIST	REVISIONS			
F	LNK	DESCRIPTION	DATE	BY	APPD
AD	00				
	A1	REVISED PER ECO-11-005027	14MAR11	RK	HMR



SECTION A-A

- SOME DIMENSIONS MAY VARY DUE TO DIFFERENT COMPOUND SHRINKAGE FACTOR.
- MINOR FLASH ACCEPTABLE ON INSERT THREAD.
- BLACK FINISH/NICKEL PLATING ON INSIDE THREADS REMOVED DUE TO MOLDING PROCESS PERMITTED.
- RUBBER TO METAL BOND MUST MEET OR EXCEED THE TENSILE STRENGTH OF RUBBER.
- RUBBER OVERLAY PERMISSIBLE OVER HEX FLATS AS SHOWN IN THE DRAWING.
- COMPONENTS MUST COMPLY WITH THE EUROPEAN DIRECTIVE 2002/95/EC ON RESTRICTION OF THE USE OF CERTAIN HAZARDOUS SUBSTANCES IN ELECTRICAL AND ELECTRONIC EQUIPMENT (ROHS DIRECTIVE).

ALCO P/N	PART NUMBER	HEX NUT MATERIAL	RUBBER BOOT MATERIAL
B1532004	1825602-1	BRASS, BLACK OXIDE PER MIL-F-495	SILICONE, COLOR BLACK
B1532204	1825602-2	BRASS, NICKEL PLATE PER QQ-N-290	SILICONE, COLOR RED
B1532804	1825602-3	BRASS, NICKEL PLATE PER QQ-N-290	SILICONE, COLOR GRAY

NO.	DESCRIPTION	DRAWING NO.	MATERIAL
①	NUT 15/32-32 UNS-2B	HEX NUT 15/32-32	BRASS, FINISH AS PER ABOVE TABLE
②	RUBBER BOOT	RUBBER BOOT	SILICONE PER ZZ-R-765, CLASS 3A, GRADE 50 COLOR AS PER ABOVE TABLE

THIS DRAWING IS A CONTROLLED DOCUMENT.

DESIGNER: R. BROWN	DATE: 09/20/08	
CHECKED: M. WILBOURN	DATE: 09/20/08	
APPROVED: M. WILBOURN	DATE: 09/20/08	
DIMENSIONS: mm [INCHES]		NAME: 15/32-32 TOGGLE SWITC H BOOT SEAL
TOLERANCES UNLESS OTHERWISE SPECIFIED:		APPLICATION SPEC: -
0 PLC ± .005	1 PLC ± .005	SIZE: A2
2 PLC ± 0.25(0.010)	3 PLC ± 0.13(0.005)	DATE CODE: 00779
4 PLC ± .005	ANGLES ± .5°	DRAWING NO: C=1825602
MATERIAL: -		RESTRICTED TO: -
FINISH: -		CUSTOMER DRAWING
		SCALE: 4:1 SHEET: 1 of 1 REV: A1

1471-9 (3/11)

1825602

A