

# MICRO SWITCH

FREEPORT, ILLINOIS, U S A  
A DIVISION OF HONEYWELL

FED. MFG. CODE 91929

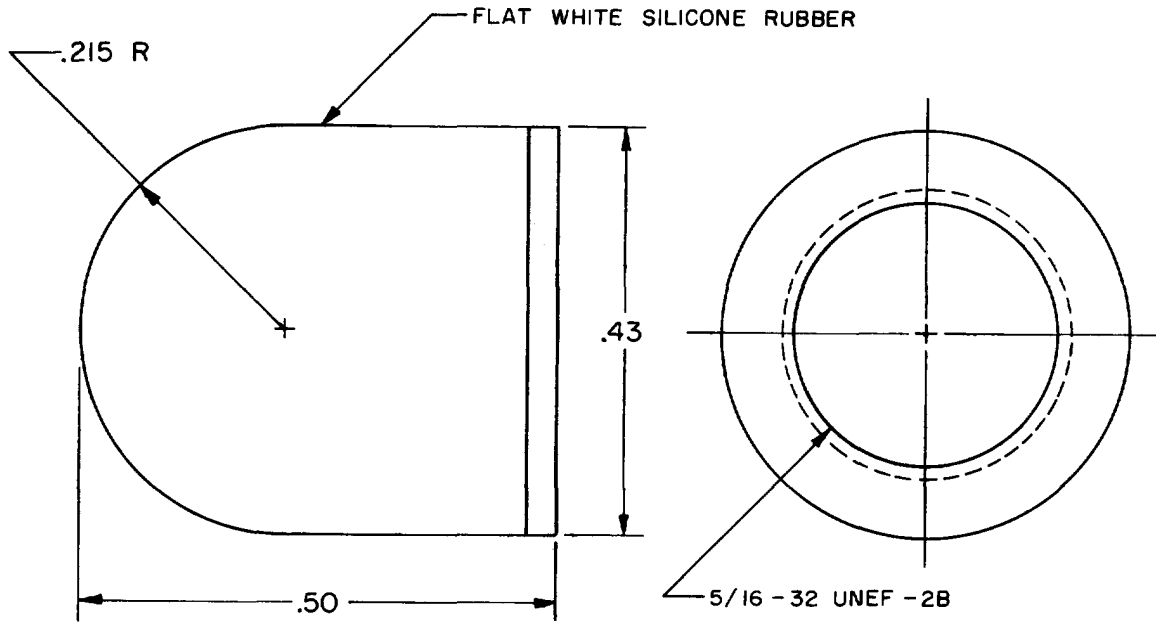
# PACKET

CATALOG LISTING

# 15PA90-6W

THIS DRAWING COVERS A PROPRIETARY ITEM AND IS THE PROPERTY OF MICRO SWITCH, A DIVISION OF HONEYWELL. THIS DRAWING IS NOT TO BE COPIED OR USED WITHOUT THE APPROVAL OF MICRO SWITCH.

<b>M</b>		15PA90-6W		PAGE 1 OF 1		REPLACES	
DRAWING NUMBER		15PA90-6W		PR-1581		RELEASE NO.	
ISSUE		2		CHECK		CHECK	
REVISIONS		A		C094283		DLT	
						26 MAR 99	
FORMTEK		DRAWN		DRAW		DEC '70	
0-50378-2A		SRH		NOV 70		CHECK	



NOTE  
1 - RESILIENT CAP FOR USE WITH "TL" LEVER  
LOCK SWITCHES

SCALE 5 TO 1		
DO NOT SCALE PRINT		
UNLESS OTHERWISE NOTED		
DIMENSIONS ARE IN INCHES		
<b>TOLERANCES ARE:</b>		
ONE PLACE	(.0)	±.030
TWO PLACE	(.00)	±.015
THREE PLACE	(.000)	±.005
ANGLES		±
WEIGHT		