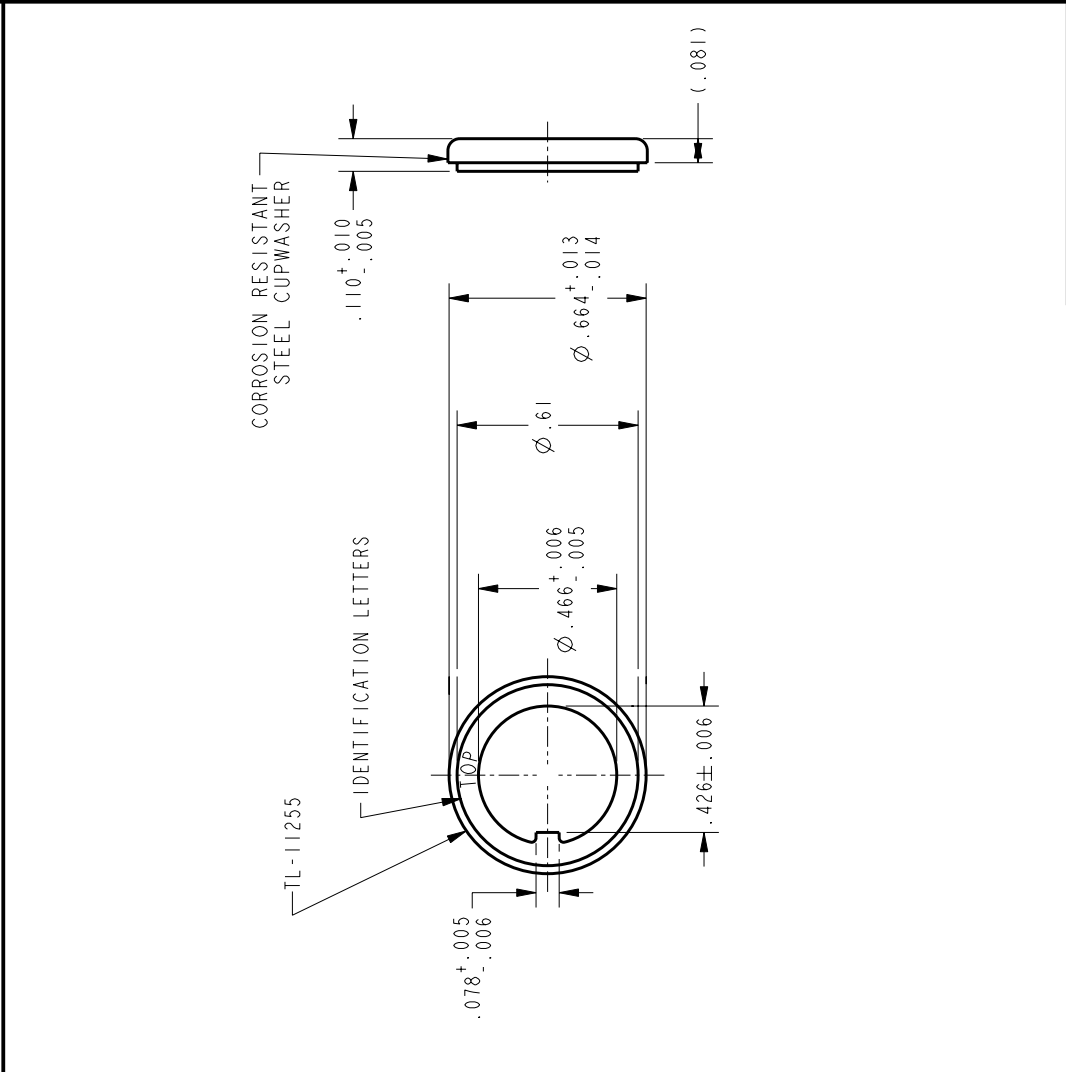


CATALOG LISTING
15PA87
 PRODUCT CODE
SG-T8700

MICRO SWITCH
 a Honeywell Division
 FED. MFG. CODE 91929

SEAL - RING

THIS DRAWING COVERS A PROPRIETARY ITEM AND IS THE PROPERTY OF MICRO SWITCH, A DIVISION OF HONEYWELL. THIS DRAWING IS NOT TO BE COPIED OR USED WITHOUT THE APPROVAL OF MICRO SWITCH.



THIRD ANGLE PROJECTION

SCALE 2 : 1

DO NOT SCALE PRINT

UNLESS OTHERWISE SPECIFIED TOLERANCES ARE

ONE PLACE (.0) ±.030

TWO PLACE (.00) ±.015

THREE PLACE (.000) ±.005

ANGLES †

WEIGHT

| | | | | | | | | | | | | | | |
|------------------------|----------------------|-------|---|-------|---|-------|----------|-----|-------|----------|-----|----------|-------|-----|
| REPLACES | RELEASE NO. SR-12670 | CHECK | 3 | ISSUE | 3 | CHECK | 3 AUG 01 | SAV | CHECK | 3 AUG 01 | GJW | 3 AUG 01 | DRAWN | GJW |
| CATALOG LISTING 15PA87 | | | | | | | | | | | | | | |
| PAGE 1 OF 1 | | | | | | | | | | | | | | |
| REV. NO. 203836 | | | | | | | | | | | | | | |
| G J W | | | | | | | | | | | | | | |
| AUG 01 | | | | | | | | | | | | | | |

ANSI Y14.5M-1982 APPLIES

PTC/CAD 2D

Downloaded from Elcodis.com electronic components distributor