

1

LUMO
FK

General data

LUMOTAST FK illuminated pushbutton range

- Illuminable pushbuttons and signal lamps with lamp socket T 1/T 1 $\frac{1}{4}$. Please order lamps / LEDs separately.
- Mounting hole diameter 16.2 mm
- 42 V/100 mA max.
- Water-jet proof IP65
- Low profile
- Keyed socket connector and flat ribbon cable in insulation displacement (IDC) technology or PCB plug-in socket
- Time-saving click fixing method: Insert pushbutton into front panel and press pushbutton once to fix it.

Content

LUMOTAST FK illuminated pushbutton, 42 V/100 mA

- | | |
|---|--------|
| LUMOTAST FK illuminated pushbutton, square collar, 42 V/100 mA | 1 - 12 |
| LUMOTAST FK illuminated pushbutton, square collar, 42 V/100 mA | 1 - 13 |
| LUMOTAST FK illuminated pushbutton, round collar, 42 V/100 mA | 1 - 14 |
| LUMOTAST FK illuminated pushbutton, rectangular collar, 42 V/100 mA | 1 - 14 |

LUMOTAST FK signal lamp

- | | |
|---|--------|
| LUMOTAST FK signal lamp, square collar | 1 - 16 |
| LUMOTAST FK signal lamp, square collar | 1 - 17 |
| LUMOTAST FK signal lamp, round collar | 1 - 18 |
| LUMOTAST FK signal lamp, rectangular collar | 1 - 18 |

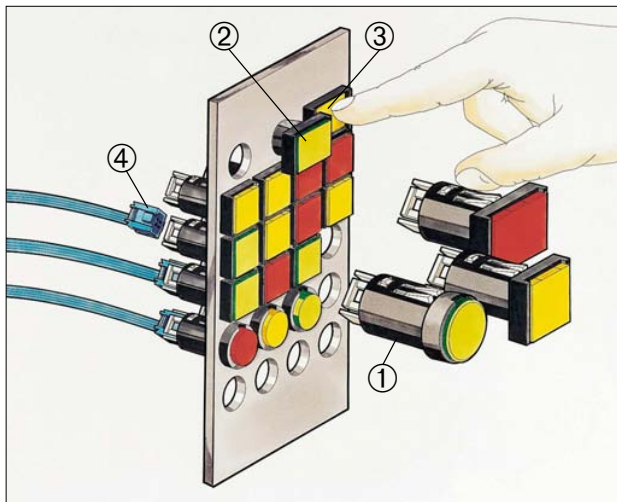
Series LUMOTAST FK

16.2 mm mounting hole diameter

1

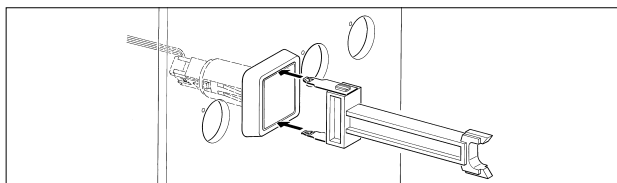
Design

LUMO
FK

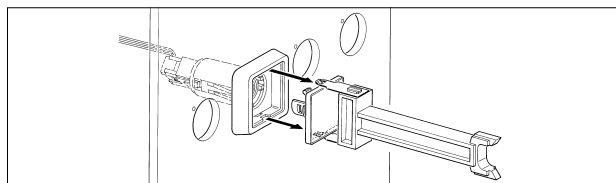


- ① Pushbutton as supplied
- ② Insert pushbutton into panel cut-out
- ③ Press once to fit
- ④ Attach connector with flat-ribbon cable

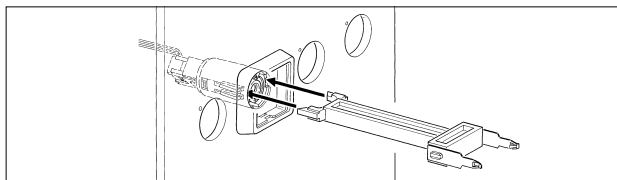
Disassembly



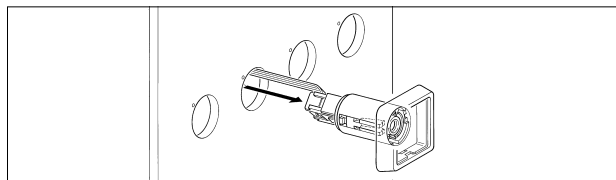
1. Grip body/lens



2. Pull out body/lens



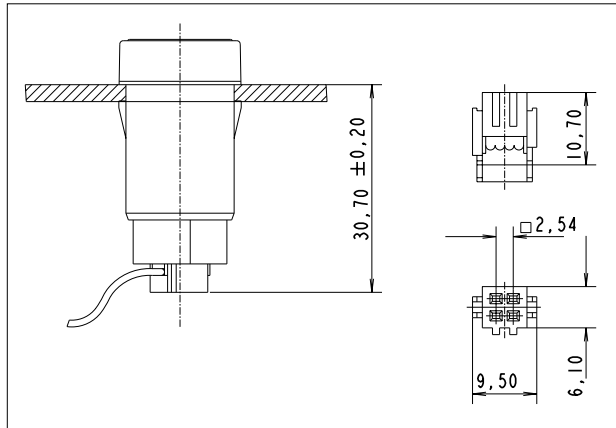
3. Release click lever



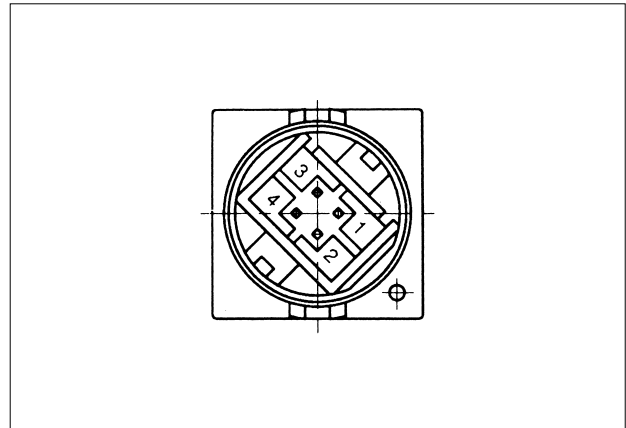
4. Pull out pushbutton/signal lamp with cable

Dimensional drawing

With quick connector and flat-ribbon cable

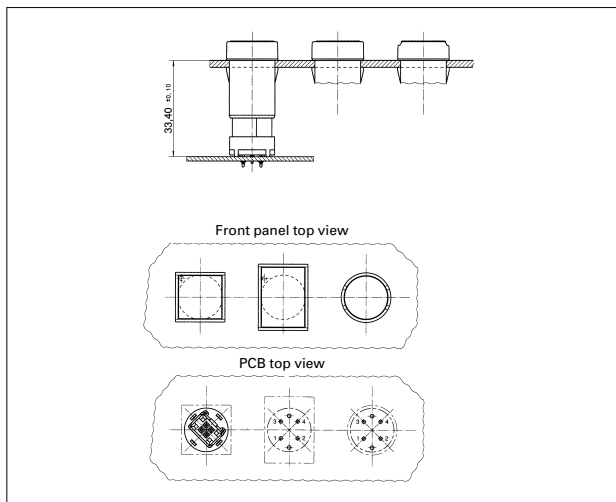


Connection diagram (PCB top view)

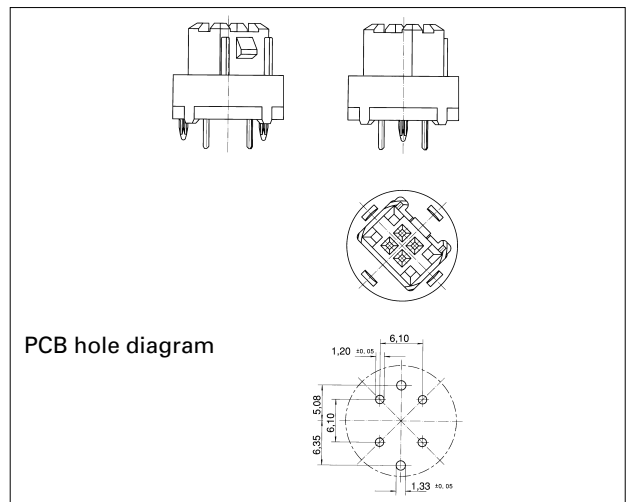


1 + 4 = pushbutton connection, 2 + 3 = lamp connection

With plug-in socket

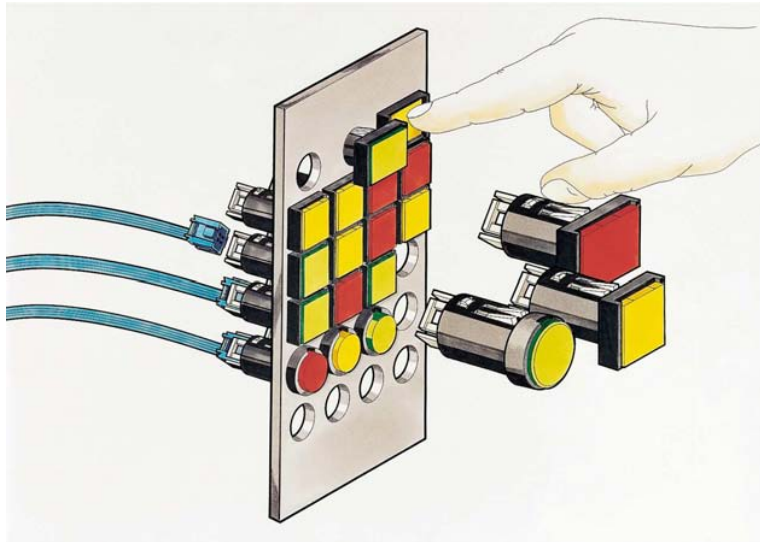


Plug-in socket for PCB



1

LUMO
FK



General data

LUMOTAST FK illuminated pushbutton range

- Illuminable pushbuttons and signal lamps with lamp socket T 1/T 1¼. Please order lamps / LEDs separately.
- Mounting hole diameter 16.2 mm
- 42 V/100 mA max.
- Water-jet proof IP65
- Low profile
- Keyed socket connector and flat ribbon cable in insulation displacement (IDC) technology or PCB plug-in socket
- Time-saving click fixing method: Insert pushbutton into front panel and press pushbutton once to fix it.

Content

LUMOTAST FK illuminated pushbutton, 42 V/100 mA	1 - 12
LUMOTAST FK illuminated pushbutton, square collar, 42 V/100 mA	1 - 13
LUMOTAST FK illuminated pushbutton, round collar, 42 V/100 mA	1 - 14
LUMOTAST FK illuminated pushbutton, rectangular collar, 42 V/100 mA	1 - 14
LUMOTAST FK signal lamp	1 - 16
LUMOTAST FK signal lamp, square collar	1 - 17
LUMOTAST FK signal lamp, round collar	1 - 18
LUMOTAST FK signal lamp, rectangular collar	1 - 18

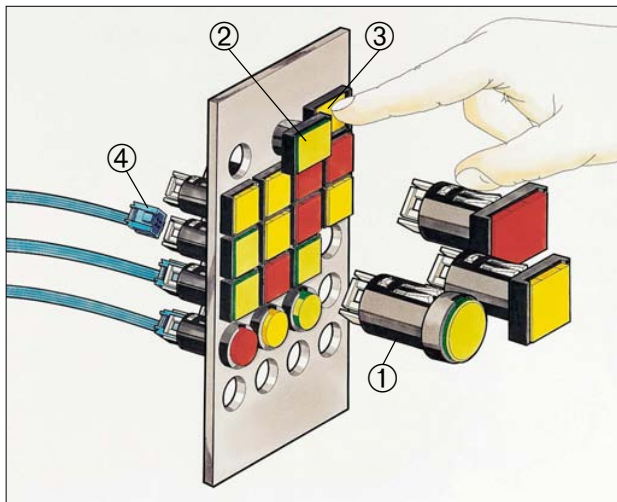
Series LUMOTAST FK

16.2 mm mounting hole diameter

1

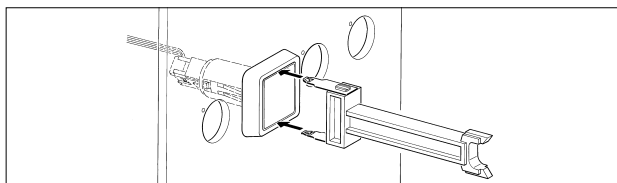
Design

LUMO
FK

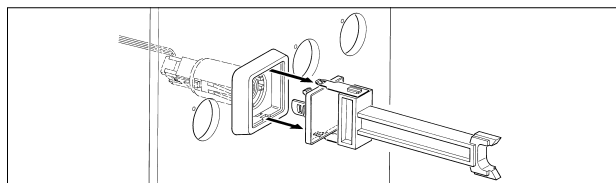


- ① Pushbutton as supplied
- ② Insert pushbutton into panel cut-out
- ③ Press once to fit
- ④ Attach connector with flat-ribbon cable

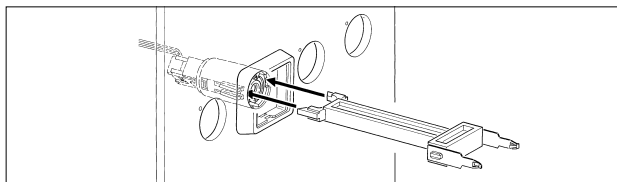
Disassembly



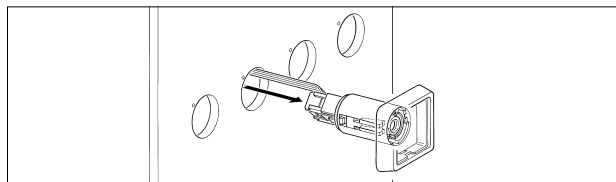
1. Grip body/lens



2. Pull out body/lens



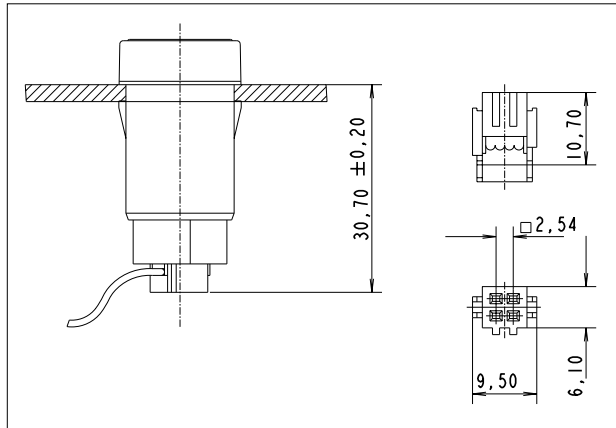
3. Release click lever



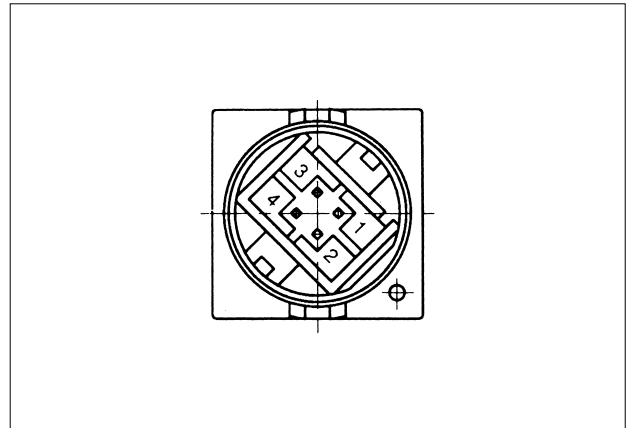
4. Pull out pushbutton/signal lamp with cable

Dimensional drawing

With quick connector and flat-ribbon cable

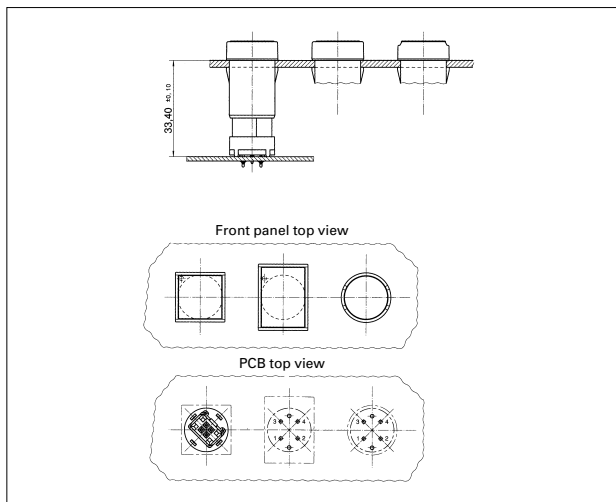


Connection diagram (PCB top view)

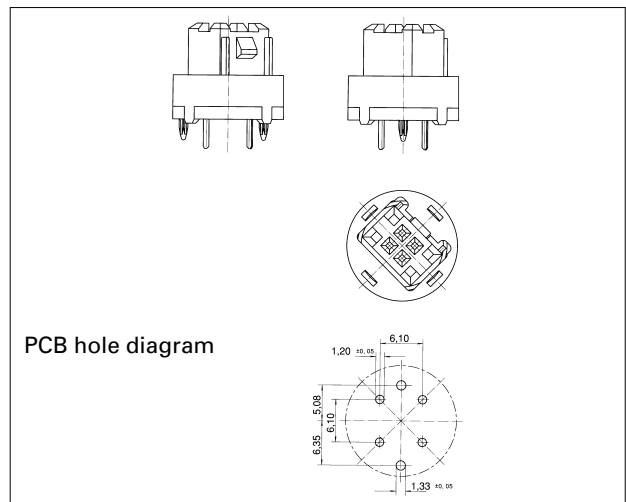


1 + 4 = pushbutton connection, 2 + 3 = lamp connection

With plug-in socket



Plug-in socket for PCB

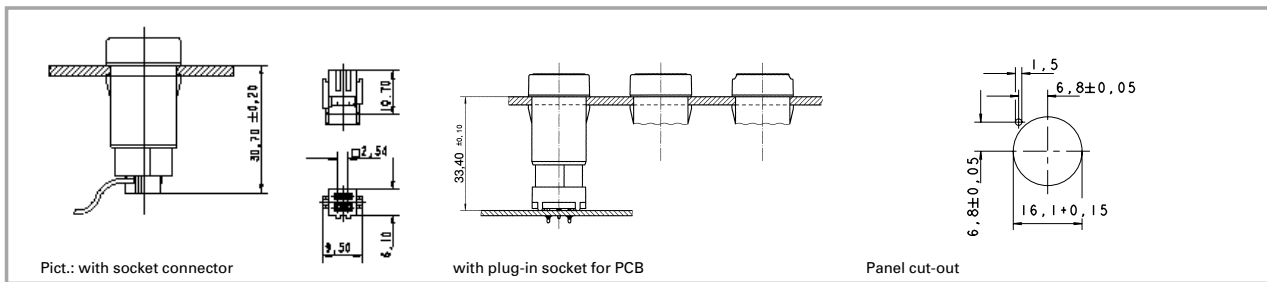


1

LUMO
FK

1

LUMOTAST FK illuminated pushbutton, 42 V/100 mA



LUMO
FK

Technical data

General information

Actuator flat lens
Colour of mushroom see order block
Form of collar see order block

Dimensions

Length of collar see order block
Width of collar see order block
Diameter of collar see order block
Overall height 6.6 mm
Mounting depth with connector 30.7 mm
Mounting depth with plug-in socket 33.4 mm
Mounting hole 16.2 mm

Mechanical design

Mounting click quick connection
Terminals pin connector 4-pol./ plug-in socket
Contact system snap-action contact
Contact function momentary
Contact arrangement 1 NO
Contact materials Au
Illuminability yes
Lamp socket Bi-Pin T 1/T 1²

Mechanical characteristics

Operating force max. 6 N
Operating travel 3 mm
Switching travel 1.9 mm
Robustness min. 100 N

Electrical characteristics

Rated voltage AC/DC max. 42 V
Rated voltage AC/DC min. 0.02 V
Rated current AC/DC max. 100 mA
Rated current AC/DC min. 0.01 mA
Contact resistance when new max. 100 mΩ
Contact resistance acc. to life max. 300 mΩ
Bouncing time max. 5 ms

Other specifications

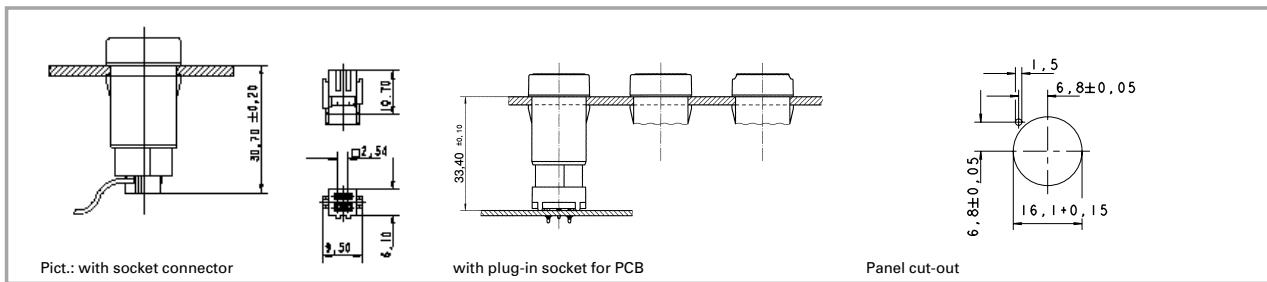
Operating life 1,000,000
Degree of protection from front side IP65
Ambient temp. operating min. -25 °C
Ambient temp. operating without lamp max. +70 °C
Ambient temp. operating with lamp max. +55 °C
Storage temperature min. -40 °C
Storage temperature max. +80 °C
Resistance to constant environment according to IEC 600 68-2-3 and 2-30
Resistance at variable environment according to IEC 600 68-2-14 and 2-33
Weight 6 g

Accessories LUMOTAST FK illuminated pushbutton, 42 V/100 mA

Description	Photo	Order no.	Page
Filament lamp, Bi-Pin T 1¼ base, 12 V		1.90.180.474/0000	5 - 5
Filament lamp, Bi-Pin T 1¼ base, 28 V		1.90.180.475/0000	5 - 5
LED Bi-Pin T 1 superbright, red, 24 V		1.90.690.351/0000	5 - 17

1

LUMOTAST FK illuminated pushbutton, 42 V/100 mA



LUMO
FK

Technical data

General information

Actuator flat lens
Colour of mushroom see order block
Form of collar see order block

Dimensions

Length of collar see order block
Width of collar see order block
Diameter of collar see order block
Overall height 6.6 mm
Mounting depth with connector 30.7 mm
Mounting depth with plug-in socket 33.4 mm
Mounting hole 16.2 mm

Mechanical design

Mounting click quick connection
Terminals pin connector 4-pol./ plug-in socket
Contact system snap-action contact
Contact function momentary
Contact arrangement 1 NO
Contact materials Au
Illuminability yes
Lamp socket Bi-Pin T 1/T 1²

Mechanical characteristics

Operating force max. 6 N
Operating travel 3 mm
Switching travel 1.9 mm
Robustness min. 100 N

Electrical characteristics

Rated voltage AC/DC max. 42 V
Rated voltage AC/DC min. 0.02 V
Rated current AC/DC max. 100 mA
Rated current AC/DC min. 0.01 mA
Contact resistance when new max. 100 mΩ
Contact resistance acc. to life max. 300 mΩ
Bouncing time max. 5 ms

Other specifications

Operating life 1,000,000
Degree of protection from front side IP65
Ambient temp. operating min. -25 °C
Ambient temp. operating without lamp max. +70 °C
Ambient temp. operating with lamp max. +55 °C
Storage temperature min. -40 °C
Storage temperature max. +80 °C
Resistance to constant environment according to IEC 600 68-2-3 and 2-30
Resistance at variable environment according to IEC 600 68-2-14 and 2-33
Weight 6 g

Accessories LUMOTAST FK illuminated pushbutton, 42 V/100 mA

Description	Photo	Order no.	Page
Filament lamp, Bi-Pin T 1¼ base, 12 V		1.90.180.474/0000	5 - 5
Filament lamp, Bi-Pin T 1¼ base, 28 V		1.90.180.475/0000	5 - 5
LED Bi-Pin T 1 superbright, red, 24 V		1.90.690.351/0000	5 - 17

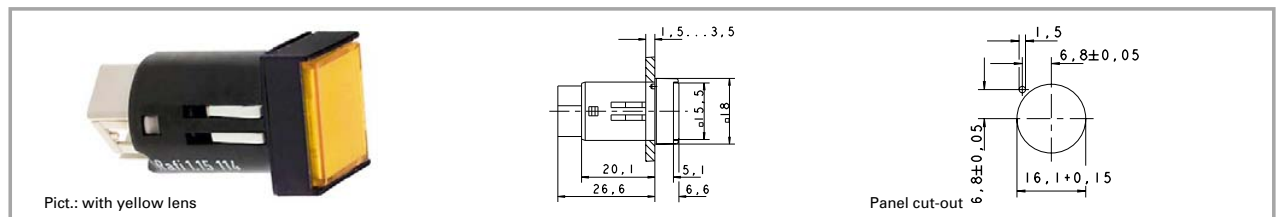
Accessories LUMOTAST FK illuminated pushbutton, 42 V/100 mA

Description	Photo	Order no.	Page
LED Bi-Pin T 1 superbright, green, 24 V		1.90.690.352/0000	5 - 17
LED Bi-Pin T 1 superbright, yellow, 24 V		1.90.690.353/0000	5 - 17
LED Bi-Pin T 1 superbright, blue, 24 V		1.90.690.354/0000	5 - 17
LED Bi-Pin T 1 superbright, white, 24 V		1.90.690.355/0000	5 - 17
LED Bi-Pin T 1, red, 3 V		1.90.691.026/0000	5 - 17
LED Bi-Pin T 1, green, 3 V		1.90.691.027/0000	5 - 17
LED Bi-Pin T 1, yellow, 3 V		1.90.691.028/0000	5 - 17
Plug-in socket for PCB		5.00.645.036/0000	5 - 25
Cable (flat ribbon cable 10 cm with socket connector and male quick connector, AMP 4-pin)		5.03.771.306/0000	5 - 24
Disassembly tool for LUMOTAST FK		5.05.800.041/0000	5 - 24
Flat ribbon cable, 4-wire, 1 m long		5.37.700.124/0000	5 - 25
Socket connector, 4-pin		5.92.025.368/0000	5 - 24

1

LUMO
FK

LUMOTAST FK illuminated pushbutton, square collar, 42 V/100 mA



Contact function	Contact arrangement	Order no. without lens	Note
momentary	1 NO	1.15.114.906/0000	Please include the desired lens in your order.

Technical data see page 1 - 12

Lenses:

- Lens, square, transparent colourless: **5.49.075.015/1002**
- Lens, square, transparent red: **5.49.075.015/1306**
- Lens, square, transparent yellow: **5.49.075.015/1403**
- Lens, square, transparent green: **5.49.075.015/1505**
- Lens, square, transparent blue: **5.49.075.015/1607**

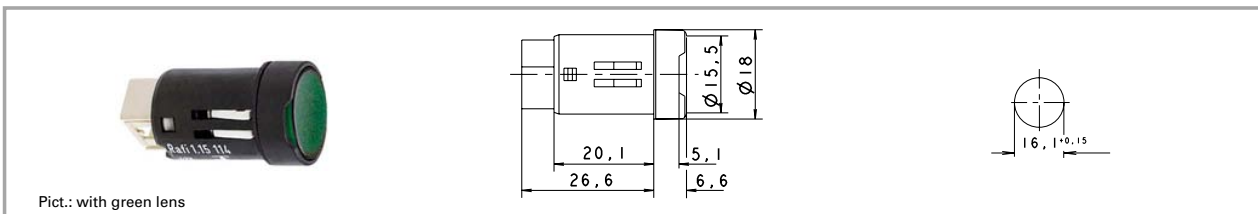
A notch on the lamp socket identifies the cathode side.

Pushbuttons

Stock items are marked by bold printed order numbers.

1

LUMOTAST FK illuminated pushbutton, round collar, 42 V/100 mA



Pict.: with green lens

Contact function	Contact arrangement	Order no. without lens	Note
momentary	1 NO	1.15.114.936/0000	Please include the desired lens in your order.

LUMO
FK

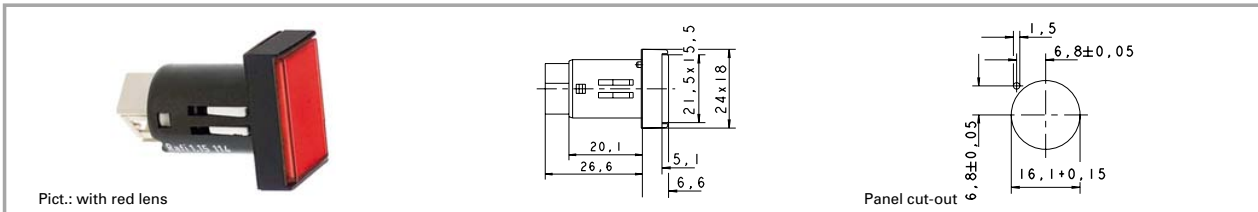
Technical data see page 1 - 12

Lenses:

- Lens, round, transparent colourless: **5.49.075.016/1002**
- Lens, round, transparent red: **5.49.075.016/1306**
- Lens, round, transparent yellow: **5.49.075.016/1403**
- Lens, round, transparent green: **5.49.075.016/1505**
- Lens, round, transparent blue: **5.49.075.016/1607**

A notch on the lamp socket identifies the cathode side.

LUMOTAST FK illuminated pushbutton, rectangular collar, 42 V/100 mA



Pict.: with red lens

Panel cut-out

Contact function	Contact arrangement	Order no. without lens	Note
momentary	1 NO	1.15.114.966/0000	Please include the desired lens in your order.

Technical data see page 1 - 12

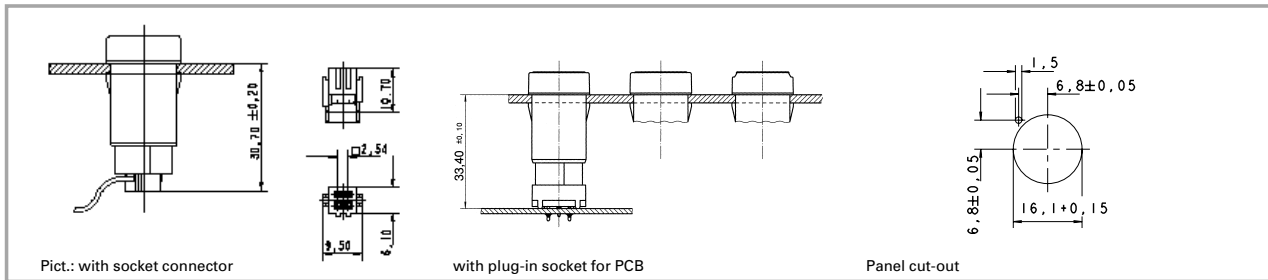
Lenses:

- Lens, rectangular, transparent colourless: **5.49.075.017/1002**
- Lens, rectangular, transparent red: **5.49.075.017/1306**
- Lens, rectangular, transparent yellow: **5.49.075.017/1403**
- Lens, rectangular, transparent green: **5.49.075.017/1505**
- Lens, rectangular, transparent blue: **5.49.075.017/1607**

A notch on the lamp socket identifies the cathode side.

1

LUMOTAST FK signal lamp



Pict.: with socket connector

with plug-in socket for PCB

Panel cut-out

LUMO
FK

Technical data

General information

Form of lens flat lens
 Colour of lens see order block
 Form of collar see order block

Dimensions

Length of collar see order block
 Width of collar see order block
 Mounting depth with connector 30.7 mm
 Mounting depth with plug-in socket 33.4 mm
 Mounting hole 16.2 mm

Mechanical design

Mounting click quick connection
 Terminals pin connector 4-pol./ plug-in socket
 Lamp socket Bi-Pin T 1/T 1¼
 Lamp filament lamp / LED

Electrical characteristics

Voltage limit max. 24 V
 Power limit max. 0,7 W

Other specifications

Degree of protection from front side IP65
 Weight 5 g
 Ambient temp. operating min. -25 °C
 Ambient temp. operating max. +55 °C
 Storage temperature min. -40 °C
 Storage temperature max. +80 °C
 Resistance to constant environment according to IEC 600 68-2-3 and 2-30
 Resistance at variable environment according to IEC 600 68-2-14 and 2-33

Accessories LUMOTAST FK signal lamp

Description	Photo	Order no.	Page
Filament lamp, Bi-Pin T 1¼ base, 12 V		1.90.180.474/0000	5 - 5
Filament lamp, Bi-Pin T 1¼ base, 28 V		1.90.180.475/0000	5 - 5
LED Bi-Pin T 1 superbright, red, 24 V		1.90.690.351/0000	5 - 17
LED Bi-Pin T 1 superbright, green, 24 V		1.90.690.352/0000	5 - 17
LED Bi-Pin T 1 superbright, yellow, 24 V		1.90.690.353/0000	5 - 17
LED Bi-Pin T 1 superbright, blue, 24 V		1.90.690.354/0000	5 - 17
LED Bi-Pin T 1 superbright, white, 24 V		1.90.690.355/0000	5 - 17

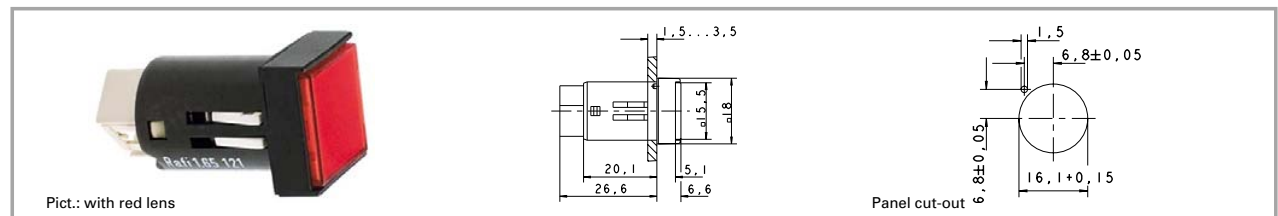
Accessories LUMOTAST FK signal lamp

Description	Photo	Order no.	Page
LED Bi-Pin T 1, red, 3 V		1.90.691.026/0000	5 - 17
LED Bi-Pin T 1, green, 3 V		1.90.691.027/0000	5 - 17
LED Bi-Pin T 1, yellow, 3 V		1.90.691.028/0000	5 - 17
Plug-in socket for PCB		5.00.645.036/0000	5 - 25
Cable (flat ribbon cable 10 cm with socket connector and male quick connector, AMP 4-pin)		5.03.771.306/0000	5 - 24
Disassembly tool for LUMOTAST FK		5.05.800.041/0000	5 - 24
Flat ribbon cable, 4-wire, 1 m long		5.37.700.124/0000	5 - 25
Socket connector, 4-pin		5.92.025.368/0000	5 - 24

1

LUMO
FK

LUMOTAST FK signal lamp, square collar



Power limit max.	Voltage limit max.	Lamp socket	Order no. without lens	Note
0.7 W	24 V	Bi-Pin T 1/T 1¼	1.65.121.906/0000	Please include the desired lens in your order.

Technical data see page 1 - 16

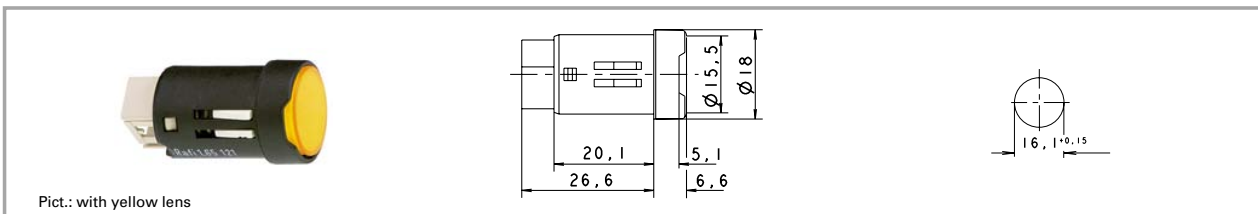
Lenses:

- Lens, square, transparent colourless: **5.49.075.015/1002**
- Lens, square, transparent red: **5.49.075.015/1306**
- Lens, square, transparent yellow: **5.49.075.015/1403**
- Lens, square, transparent green: **5.49.075.015/1505**
- Lens, square, transparent blue: **5.49.075.015/1607**

Do not press in lens in disassembled condition.
A notch on the lamp socket identifies the cathode side.

1

LUMOTAST FK signal lamp, round collar



Pict.: with yellow lens

Power limit max.	Voltage limit max.	Lamp socket	Order no. without lens	Note
0.7 W	24 V	Bi-Pin T 1/T 1 1/4	1.65.121.936/0000	Please include the desired lens in your order.

LUMO
FK

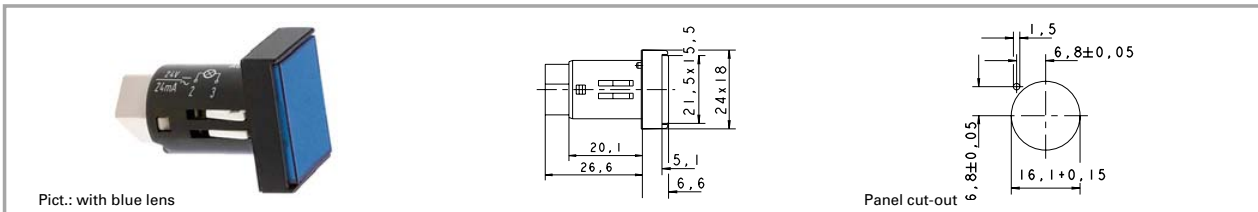
Technical data see page 1 - 16

Lenses:

- Lens, round, transparent colourless: **5.49.075.016/1002**
- Lens, round, transparent red: **5.49.075.016/1306**
- Lens, round, transparent yellow: **5.49.075.016/1403**
- Lens, round, transparent green: **5.49.075.016/1505**
- Lens, round, transparent blue: **5.49.075.016/1607**

Do not press in lens in disassembled condition.
A notch on the lamp socket identifies the cathode side.

LUMOTAST FK signal lamp, rectangular collar



Pict.: with blue lens

Panel cut-out

Power limit max.	Voltage limit max.	Lamp socket	Order no. without lens	Note
0.7 W	24 V	Bi-Pin T 1/T 1 1/4	1.65.121.966/0000	Please include the desired lens in your order.

Technical data see page 1 - 16

Lenses:

- Lens, rectangular, transparent colourless: **5.49.075.017/1002**
- Lens, rectangular, transparent red: **5.49.075.017/1306**
- Lens, rectangular, transparent yellow: **5.49.075.017/1403**
- Lens, rectangular, transparent green: **5.49.075.017/1505**
- Lens, rectangular, transparent blue: **5.49.075.017/1607**

Do not press in lens in disassembled condition.
A notch on the lamp socket identifies the cathode side.