

**MICRO SWITCH**FREEPORT, ILLINOIS, U.S.A.
A DIVISION OF HONEYWELL

FED. MFG. CODE 91829

SWITCH-BASIC

CATALOG LISTING

2MN6

S

2MN6**M**DRAWING
NUMBER

ISSUE

6

REPLACES

RELEASE NO.

CHECK

A

22 JUN 65

B

21 MAR 68

C

DEO

D

CHECK

22 JUN 65

LSD

CHECK

22 JUN 65

LSD

CHECK

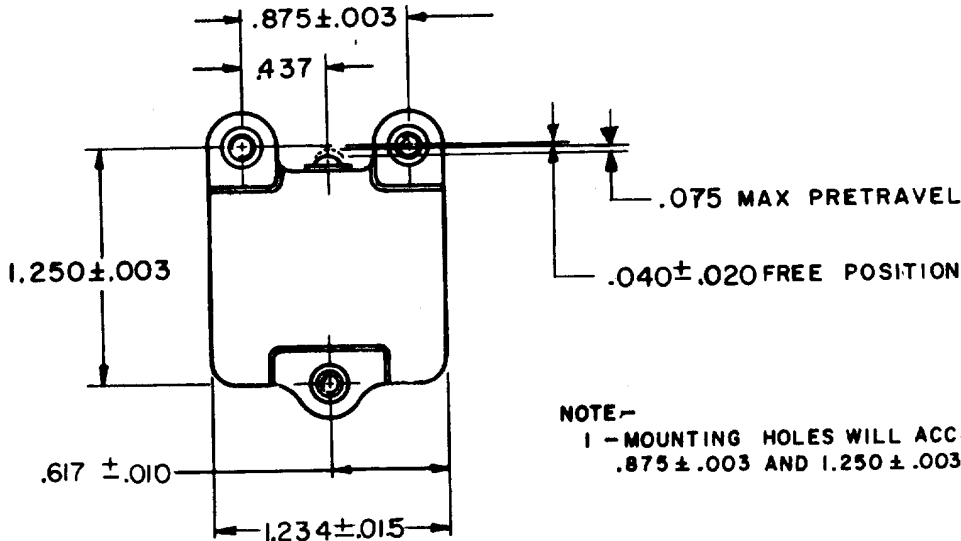
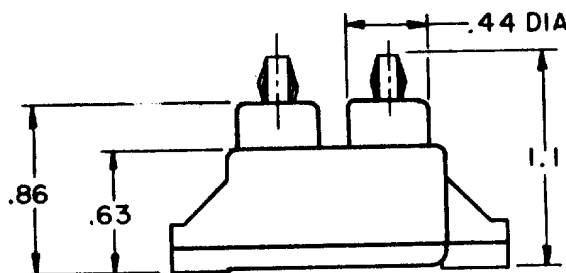
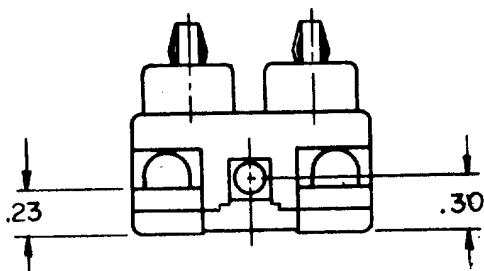
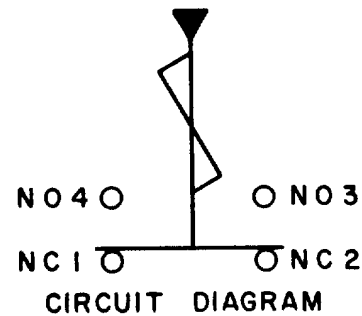
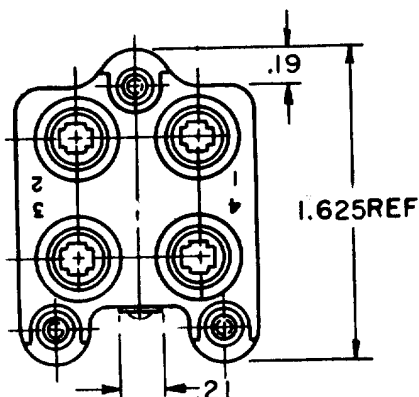
22 JUNE 65

DRAWN

WEG

22 JUNE 65

FO-50378



NOTE—
1 — MOUNTING HOLES WILL ACCEPT NO.4 SCREWS ON
.875 ± .003 AND 1.250 ± .003 CENTER

THIS DRAWING COVERS A PROPRIETARY ITEM AND IS THE PROPERTY OF MICRO SWITCH, A DIVISION OF HONEYWELL. THIS DRAWING IS NOT TO BE COPIED OR USED WITHOUT THE APPROVAL OF MICRO SWITCH.

CHARACTERISTICS

OPERATING FORCE — — — — 16-24 OZ
RELEASE FORCE — — — — 10 OZ MIN
DIFFERENTIAL TRAVEL — — — — .011 — .020
OVERTRAVEL — — — — .017 MIN
RELEASE TRAVEL — — — — .022 MIN

ELECTRICAL DATA

CONTACT ARRANGEMENT
SEE CIRCUIT DIAGRAM

10 A - 120, 240, OR 480 VAC; 1/2 HP - 120 VAC
.1 HP - 240 VAC; 0.8 A - 115 VDC; 0.4 A - 230 VDC
0.1 A - 550 VDC
PILOT DUTY: 600 VAC MAX

SCALE FULL

DO NOT SCALE PRINT

UNLESS OTHERWISE NOTED

DIMENSIONS ARE IN INCHES

TOLERANCES ARE:

ONE PLACE (.0) ±.030
TWO PLACE (.00) ±.015
THREE PLACE (.000) ±.005
ANGLES ±

WEIGHT