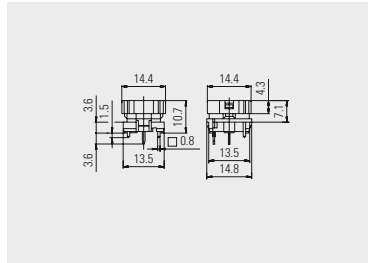


SERIES 6425 - KEY SWITCHES

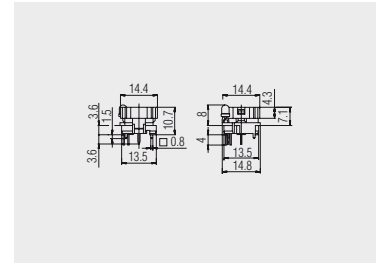
TO 100 mA 28 V



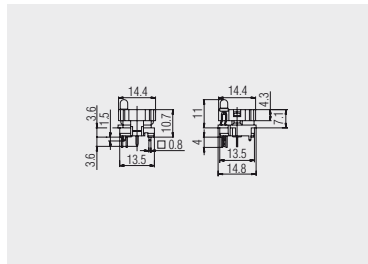
Basic type 6425



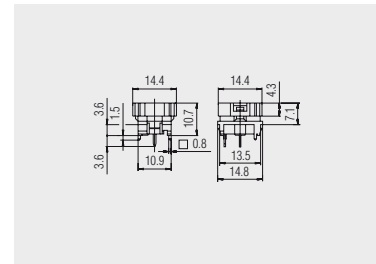
Without LED or customer LED assembly



With LED



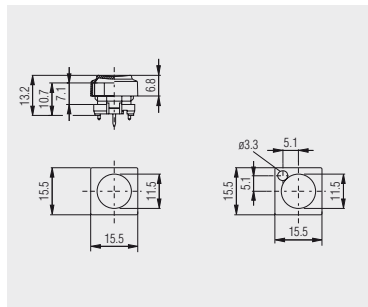
With LED for design key caps



For multiple key caps with parallel guide



Square key caps
pitch 16 mm

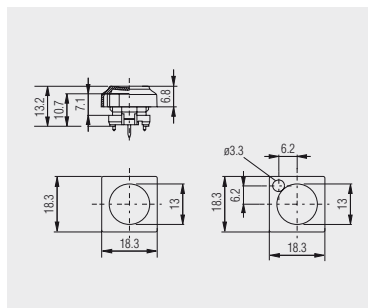


without LED window:
826.000.011 - anthracite
826.000.021 - dark gray
826.000.071 - red
826.000.091 - green

with LED window:
829.000.011 - anthracite
829.000.021 - dark gray
829.000.071 - red
829.000.091 - green



Square key caps
pitch 19 mm

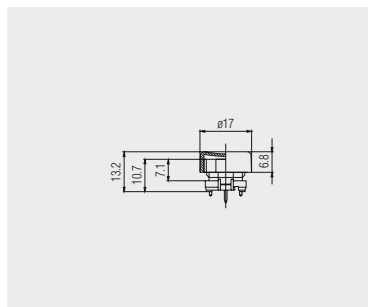


without LED window:
825.000.011 - anthracite
825.000.021 - dark gray
825.000.071 - red
825.000.091 - green

with LED window:
828.000.011 - anthracite
828.000.021 - dark gray
828.000.071 - red
828.000.091 - green



Round key caps



Key caps with ergonomic actuation surface

840.000.011 - anthracite
840.000.021 - dark gray

ROCKER SWITCHES
PUSHBUTTON SWITCHES
TOGGLE SWITCHES
SLIDE SWITCHES
ROTARY SWITCHES
FOOT SWITCHES
POWER TOOL SWITCHES
TACT AND KEY SWITCHES
SNAP-ACTION SWITCHES
MICRO-SIGNAL SWITCHES
SENSORS

SERIES 6425 - KEY SWITCHES

TO 100 mA 28 V

ROCKER SWITCHES

PUSHBUTTON SWITCHES

TOGGLE SWITCHES

SLIDE SWITCHES

ROTARY SWITCHES

FOOT SWITCHES

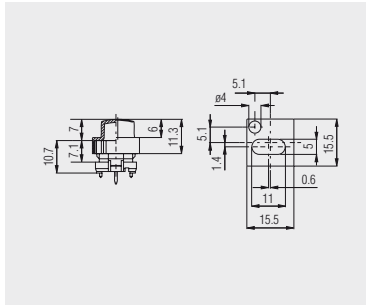
POWER TOOL SWITCHES

TACT AND KEY SWITCHES

SNAP-ACTION SWITCHES

MICRO-SIGNAL SWITCHES

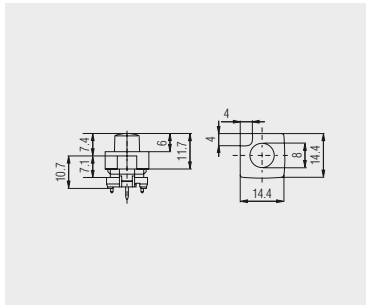
SENSORS



Key cap with oval actuation surface
pitch 16 mm

827.020.011 - anthracite
827.020.021 - dark gray
827.020.031 - gray

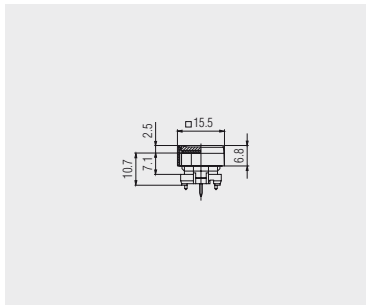
Design key caps



Key cap with round actuation surface
pitch > 15 mm

827.100.011 - anthracite
827.100.021 - dark gray
827.100.031 - gray

Design key caps

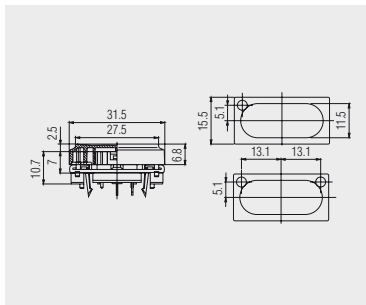


835.900.013 key cap anthracite,
cap transparent, enclosed loose

With these two-part key caps with
snap-on transparent caps individual
inspection and color requirements,
especially for small series, can be
implemented at low cost by customer
insertion.

These key caps are suitable for
key switches with and without LED
and pitch 16 mm.

Key caps with transparent cap

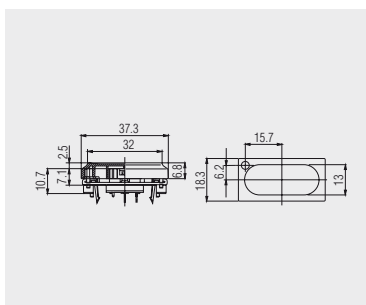


without LED window:
842.000.011 - anthracite
842.000.021 - dark gray
842.000.031 - gray

with one LED window:
842.500.011 - anthracite

with two LED windows:
842.800.011 - anthracite

Double key caps
16 mm pitch



without LED window:
844.000.011 - anthracite
844.000.021 - dark gray
844.000.031 - gray

with one LED window:
844.500.011 - anthracite

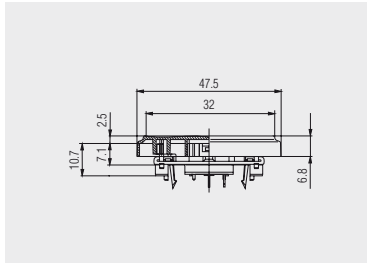
Double key caps
19 mm pitch

SERIES 6425 - KEY SWITCHES

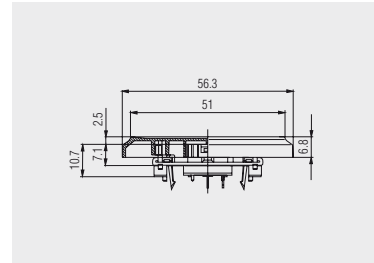
TO 100 mA 28 V



Triple key caps



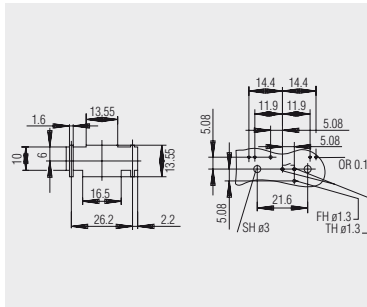
843.000.011 - anthracite
pitch 16 mm



845.000.011 - anthracite
pitch 19 mm



Parallel guide



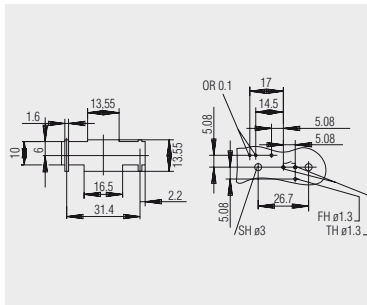
190.053.013
Recommended appliance cut-out and
perforation pattern component side

Parallel guide for:
double key caps, pitch 16 mm

The parallel guide guarantees an
optimum function even in case of
off-center actuation and can be
equipped additionally with one or
two LEDs.



Parallel guide



190.053.023
Recommended appliance cut-out and
perforation pattern component side

Parallel guide for:
triple key caps, pitch 16 mm
double key caps, pitch 19 mm
triple key caps, pitch 19 mm

The parallel guide can be equipped
additionally with a LED.

Further information under

WWW.MARQUARDT.DE

ROCKER SWITCHES

PUSHBUTTON SWITCHES

TOGGLE SWITCHES

SLIDE SWITCHES

ROTARY SWITCHES

FOOT SWITCHES

POWER TOOL SWITCHES

TACT AND KEY SWITCHES

SNAP-ACTION SWITCHES

MICRO-SIGNAL SWITCHES

SENSORS

SERIES 6425 - KEY SWITCHES

TO 100 mA 28 V



Square key caps with white characters

Please complete the reference numbers by the three figures below the respective character.


























Basic reference numbers for pitch 16 mm:

826 ... 011 - anthracite
826 ... 021 - dark grey

Basic reference numbers for pitch 19 mm:

825 ... 011 - anthracite
825 ... 021 - dark grey

Other key cap colors and characters on request.

					
051	052	053	054	055	056
					
057	058	059	060	061	062
					
063	064	065	066	067	068
					
069	070	071	072	073	074
					
075	076				
					
017	018	019	020	021	022
					
023	024	011	016	015	170
					
010	001	002	003	004	
					
005	006	007	008	009	

ROCKER SWITCHES

PUSHBUTTON SWITCHES

TOGGLE SWITCHES

SLIDE SWITCHES

ROTARY SWITCHES

FOOT SWITCHES

POWER TOOL SWITCHES

TACT AND KEY SWITCHES

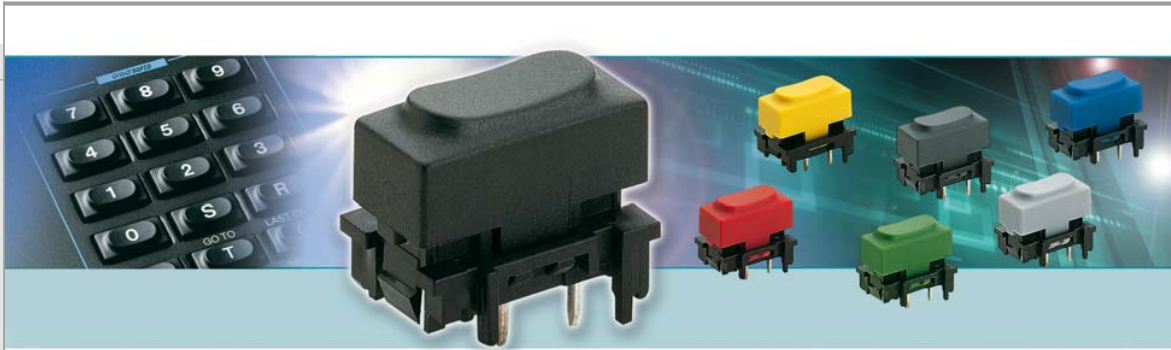
SNAP-ACTION SWITCHES

MICRO-SIGNAL SWITCHES

SENSORS

SERIES 6450 - KEY SWITCHES

TO 100 mA 28 V



PRODUCT FEATURES

- ◆ Single-pole normally open contact with key cap
- ◆ Narrow design with proven switching principle of series 6425
- ◆ Pleasant actuating characteristic and low actuation noise
- ◆ Low bounce time
- ◆ Long life endurance
- ◆ Standard with gold-plated contacts

ON REQUEST

- ◆ Other key cap colors
- ◆ Labeled key cap

Contact resistance (new condition)	< 250 mOhm
Insulation resistance (new condition)	> 100 MOhm
Contact material	Au
Contact distance	< 3 mm
Bounce time	< 5 ms
Ambient temperature	-20 °C ... +80 °C
Material	actuator PA housing PBTP connections tinned
Connection type	PCB terminal
Mechanical life endurance	1E6 at 10 mA 12 V



ROCKER SWITCHES

PUSHBUTTON SWITCHES

TOGGLE SWITCHES

SLIDE SWITCHES

ROTARY SWITCHES

FOOT SWITCHES

POWER TOOL SWITCHES

TACT AND KEY SWITCHES

SNAP-ACTION SWITCHES

MICRO-SIGNAL SWITCHES

SENSORS

SERIES 3000 - KEY SWITCHES

TO 30 mA 28 V

PRODUCT FEATURES

- ◆ With one or two normally open contacts switching in sequence
- ◆ By separating the mechanical and electrical components, a high contact reliability and excellent actuating characteristic are achieved
- ◆ Connections sealed
- ◆ For direct or indirect actuation

ON REQUEST

- ◆ Available with centrally placed LED (only version with a pressure point)
- ◆ Different actuator caps

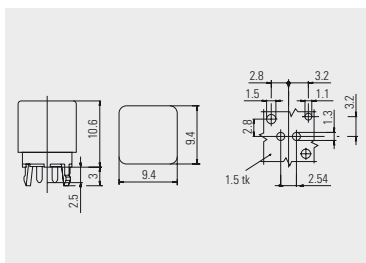


Mechanical life endurance	1E5 2E4 (basic type 3003 - two pressure points)
Ambient temperature	-40 °C ... +85 °C
Material	actuator: PC / POM housing: PA glass fiber-reinforced connections: tinned
Contact material	Au
Contact distance	< 3 mm

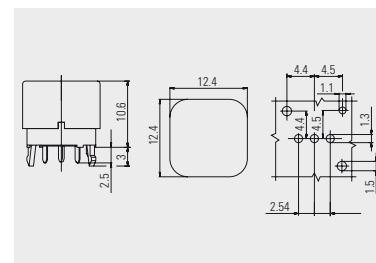
	30 mA 28 V	Connection type	Operating force in N	Operating position (OP) in mm	Free position (FP) max. in mm	Permissible total travel position (TP) in mm	Miscellaneous	Stock version
Double normally open contact with 2 pressure points								
3003.0451	●	⌋	5 - 7	9.8 +0.3 -0.2	10.9	8.6	operating force 2: 11 - 14 N operating position 2: 8.9 +0.3 -0.2	
Normally open contact with 1 pressure point								
3000.0452	●	⌋	5 - 7	9.8 +0.3 -0.2	10.9	9.2		



Basic types 3000 and 3003



Normally open contact with one pressure point
3000.0452



Double normally open contact with two pressure points
3003.0451

ROCKER SWITCHES

PUSHBUTTON SWITCHES

TOGGLE SWITCHES

SLIDE SWITCHES

ROTARY SWITCHES

FOOT SWITCHES

POWER TOOL SWITCHES

TACT AND KEY SWITCHES

SNAP-ACTION SWITCHES

MICRO-SIGNAL SWITCHES

SENSORS