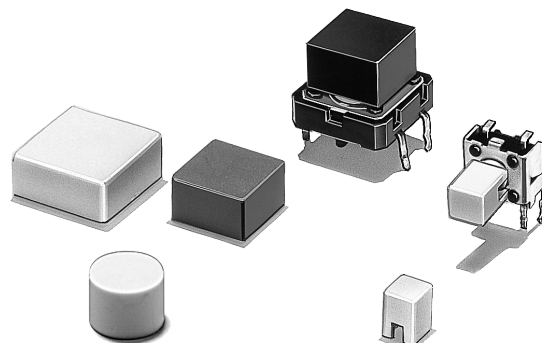


Tactile Switch Key Top

B32

Key Top Designed Specially for Projected-plunger-type B3F and B3W Switches

■ Available in a wide range of colors and sizes.



Ordering Information

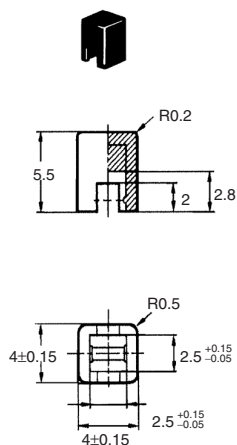
For B3F and B3W Switches

Color	6 x 6 mm Switches (B3F-1000, B3F-3000, B3F-6000, B3W-1000, B3FS)	12 x 12 mm Switches (B3F-4000, B3F-5000, B3W-4000)		12 x 12 mm Switches
	4 x 4 mm Key Top	9 x 9 mm Key Top	12 x 12 mm Key Top	9.5-mm dia.
Light gray	B32-1000	B32-1200	B32-1300	B32-1600
Black	B32-1010	B32-1210	B32-1310	B32-1610
Orange	B32-1020	B32-1220	B32-1320	B32-1620
Yellow	B32-1030	B32-1230	B32-1330	B32-1630
Blue	B32-1040	B32-1240	B32-1340	---
White	B32-1060	B32-1260	B32-1360	---

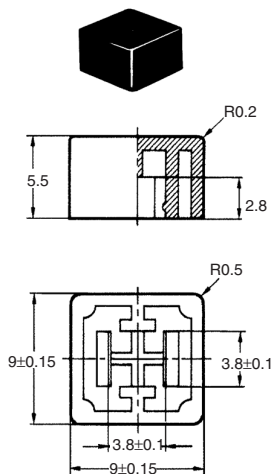
Dimensions

Note: All units are in millimeters unless otherwise indicated. Unless otherwise specified, a tolerance of ± 0.4 mm applies to all dimensions.

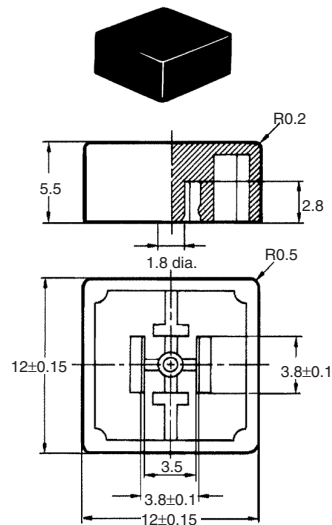
B32-10□0



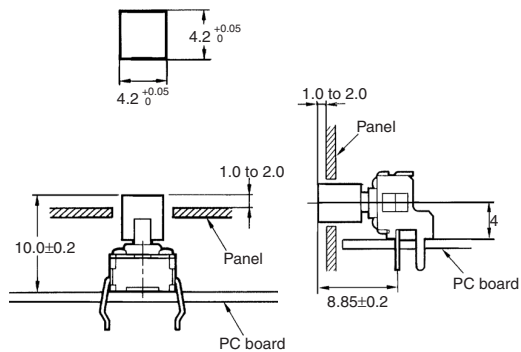
B32-12□0



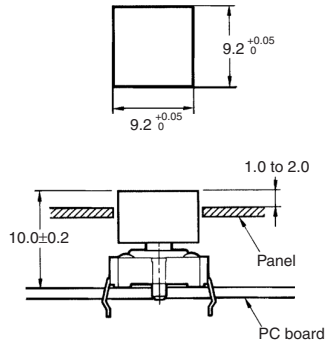
B32-13□0



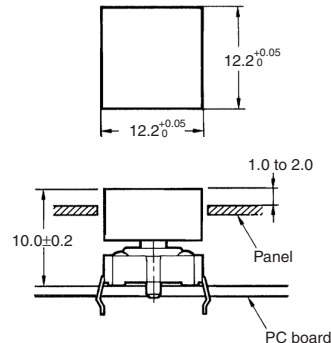
Panel Cutout



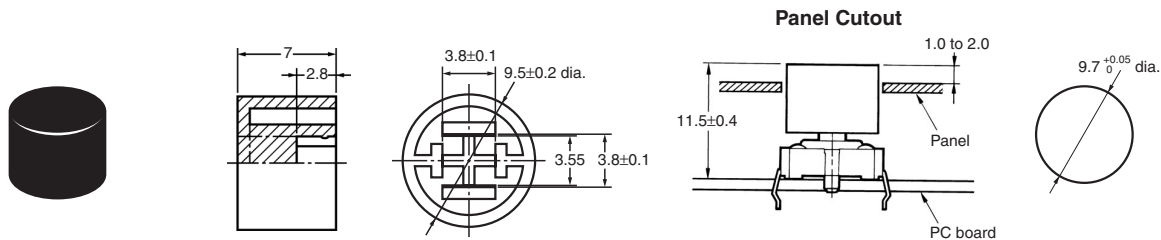
Panel Cutout



Panel Cutout



B32-16□0



ALL DIMENSIONS SHOWN ARE IN MILLIMETERS.
 To convert millimeters into inches, multiply by 0.03937. To convert grams into ounces, multiply by 0.03527.