

AC Switches

Accessories

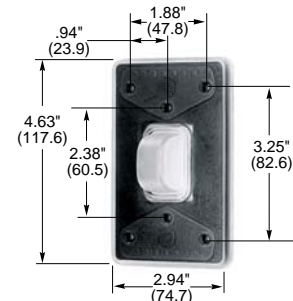
Weatherproof Switch Plates



IP44
SUITABILITY

Weatherproof Plates

Description	Catalog Number
Clear bubble plate, silicone rubber for use with all general purpose AC toggle and PresSwitches® switches. Fits both FS/FD and standard boxes.	HBL1795

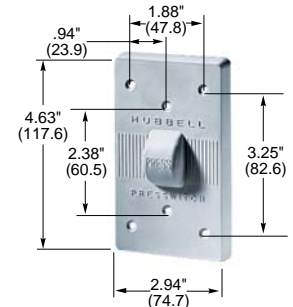


HBL1795

Weatherproof Plates

Description	Catalog Numbers
Gray neoprene PresSwitch plate. Fits FS/FD and standard boxes.	HBL1750*
Same as above except yellow.	HBL17CM50*

*Note: *Not listed by Underwriter's Laboratories Inc.*

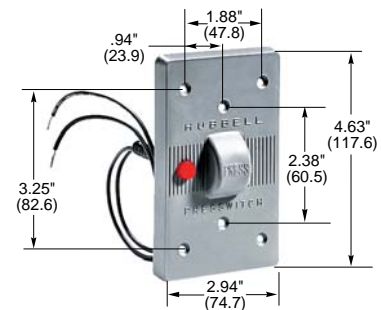


HBL1750

Weatherproof Plates

Description	Catalog Numbers
Gray neoprene PresSwitch plate with 125V red pilot light. Fits only FS/FD boxes.	HBL1785*
Same as above except yellow.	HBL17CM85*

*Note: *Not listed by Underwriter's Laboratories Inc.*

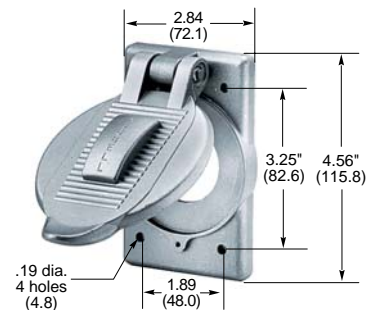


HBL1785

Weatherproof Plates

Description	Catalog Number
Cast aluminum lift cover plate with fiber shield. For standard toggle and PresSwitches. Fits only FS/FD boxes.	HBL7420

Note: See Section K for full line of wall plates.



HBL7420