



Low Voltage Products

Fusegear Switch fuses OS

Power and productivity
for a better world™ **ABB**

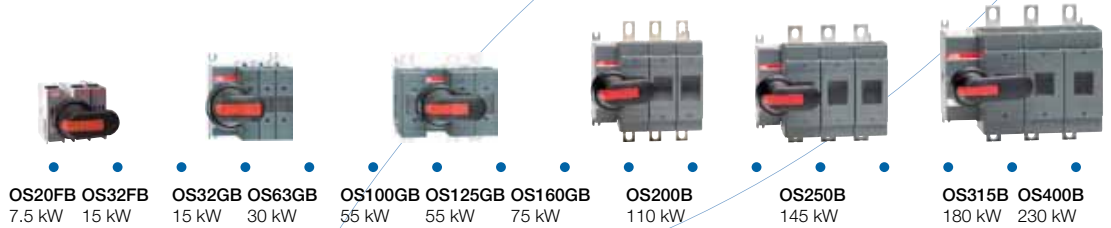


Switch fuses 16...1250

DIN AC23/400V



BS AC23/415V



NFC AC23/400V



UL/CSA 480V 600V



Amperes



OS800D
450 kW

OS1250D
560 kW



OS630B
355 kW

OS800B OS1250B
450 kW 560 kW

Accessories

- Optional handles
- Extended shafts
- Auxiliary contacts
- Fourth poles
- N & PE terminals
- Solid links
- Terminal shrouds
- Connecting accessories
- Conversion kits
- Blown fuse indicators
- Locking accessories



OS1200L

Contents:

Features.....	4-5
Technical data.....	6-11
Ordering information.....	12-44
Front operated switch fuses	
DIN-types.....	12-14
BS-types.....	15-17
NFC-types	18
Neozed, UL- and CSA-types	19-20
Side operated switch fuses	
DIN-types.....	21-22
BS-types.....	23-24
NFC-type	25
Neozed, UL- and CSA-types	26
Accessories	
Selection overview	28-29
Optional handles	30-31
Extended shafts and shaft accessories	32-33
Auxiliary contacts.....	34-35
Fourth poles, neutral and earth terminals.....	36
Solid links	37
Terminal shrouds and phase barriers.....	38
Connecting accessories	39-40
Conversion kits.....	41-42
Blown fuse indicators	43
Locking and mounting accessories	44
Dimension drawings.....	45-62
Contact functions.....	63-64
Index	65-72



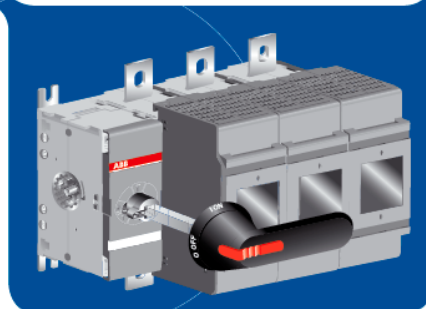
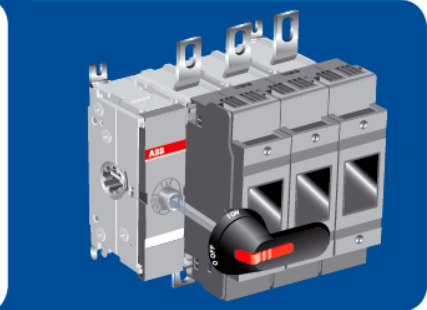
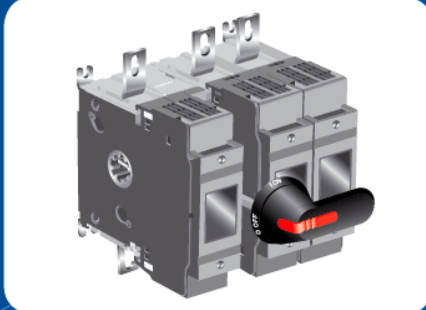
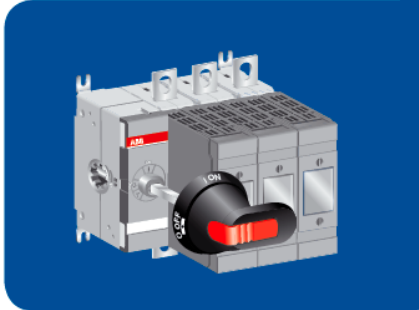
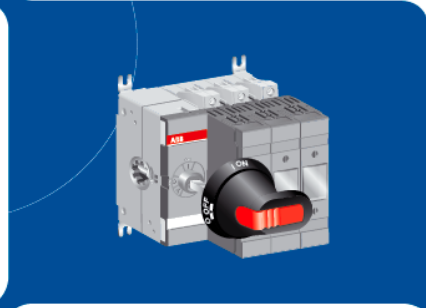
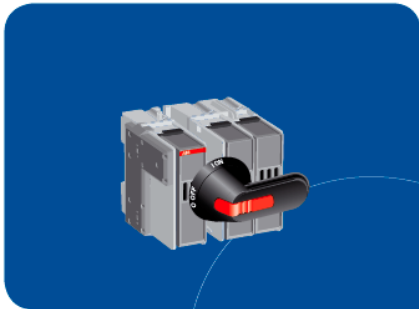
Complete range of switch fuses

From 16 to 1 250 A, 690 V

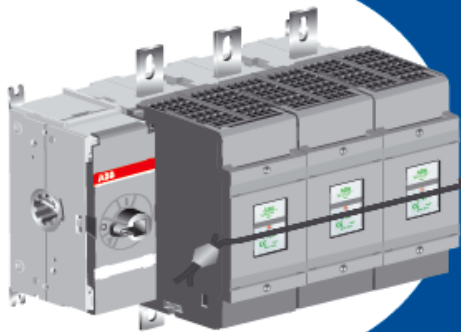
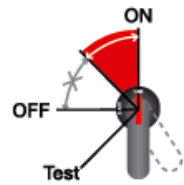
Features within the range of ABB switch fuses include single pole to four pole versions.

- The switch fuse mechanism located in any position together with the direction of the terminals, increasing the ease of installation and adaptability to different types of cubicle designs.
- A wide selection of accessories improve the usability of the switch fuses; 6 and 8- pole, changeover, by-pass and mechanically interlocked switch combinations can be built up by means of conversion kits.

The switch fuses are available for all types of fuse links, DIN, BS, NFC, UL, CSA.



Designed for safety



The switch fuse ensures safe operation, protecting both people and equipment.

Designed and based on substantial experience of electrical safety, the switch fuse eliminates the risk of electrical accidents:

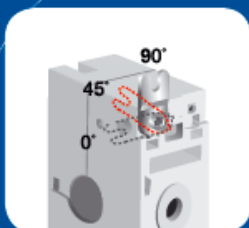
- The fuse covers cannot be opened while the switch fuse is in the ON-position and can be sealed in the closed position.
- The double insulated external operating handle eliminates the risk of touching live parts outside the box.
- The handle indicates the position of the contacts with complete reliability in all situations.

Easy, flexible installation



The OS 63G...1250 switch fuse is easy to use and a snap to install according to your choice: the adjustable mounting feet allow both top and side mounting of the switch fuse.

The OS switch fuse offers you flexible cabling options. The high terminal positioning with space to the back plate simplifies the mounting of cables. It's also ideal for double cabling, which in turn saves on space.





Switch fuses OS 16-160

Technical data

Technical data according to IEC 60947-3

		Switch size	A	OS Mini 16	OS Mini 20	OS Mini 25
Rated insulation voltage	Pollution degree 3		V	1 000	1 000	1 000
Dielectric strength		50 Hz 1min.	kV	10	10	10
Rated impulse withstand voltage			kV	12	12	12
Rated thermal current in ambient 35 °C and temporarily 40 °C ¹⁾ / max. fuse power dissipation ¹⁾ ...with minimum cable cross section	In open air In enclosure ²⁾ In enclosure with solid links		A/W	16/3.5	20/3.5	25/3.5
			A	16/3.5	20/3.5	25/3.5
		Cu	mm ²	32	32	32
				2.5	2.5	4
Rated operational voltage AC-20 and DC-20			V	1 000	1 000	1 000
Rated operational current, AC-21A		up to 500 V	A	16	20	25
		690 V	A	16	20	25
Rated operational current, AC-22A		up to 500 V	A	16	20	25
		690 V	A	16	20	25
Rated operational current, AC-23A		up to 500 V	A	16	20	25
		690 V	A	16	20	25
Rated operational current / poles in series DC-21A		48 V	A	16/2	20/2	25/2
		110-220 V	A	16/2	20/2	25/2
		440 V	A	16/4	20/4	25/4
Rated operational current / poles in series DC-22A		48 V	A	16/2	20/2	25/2
		110-220 V	A	16/2	20/2	25/2
		440 V	A	16/4	20/4	25/4
Rated operational current / poles in series DC-23A		48 V	A	16/2	20/2	25/2
		110-220 V	A	16/2	20/2	25/2
		440 V	A	16/4	20/4	25/4
Rated operational power, AC-23 ⁴⁾	The kW-ratings are accurate for three-phase 1500 R.P.M. standard asynchronous motors.	230 V	kW	4	5.5	5.5
		400 V	kW	7.5	7.5	11
		415 V	kW	7.5	7.5	11
		500 V	kW	7.5	11	15
		690 V	kW	11	15	22
Rated breaking capacity in category AC-23		up to 500 V	A	256	256	256
		690 V	A	256	256	256
Rated breaking capacity / poles in series in category DC-23		up to 220 V	A	128/2	128/2	128/2
		440 V	A	128/4	128/4	128/4
Rated conditional short-circuit current I _p (r.m.s.) and corresponding max. allowed cut-off current \hat{i}_c	at prospective SC-current Max. OFA ₁ fuse size gG / aM	80 kA, 415 V	kA	9	9	9
			A			
	at prospective SC-current Max. OFA ₁ fuse size gG / aM	100 kA, 500 V	kA	8	8	8
			A			
The cut-off current \hat{i}_c refers to values listed by fuse manufacturers (single phase test acc. to IEC60269).	at prospective SC-current Max. OFA ₁ fuse size gG / aM	50 kA, 690 V	kA	7	7	7
			A			
	at prospective SC-current Max. OFA ₁ fuse size gG / aM	80 kA, 690 V	kA	7.5	7.5	7.5
			A			
Rated short-time withstand current, 1 s.	r.m.s. -value		kA	1	1	1
Rated capacitor power when no initial charge on the capacitor	The capacitor rating of the switch-fuse is limited by the fuse link.	400 V	kVAr	5	10	12.5
		415 V	kVAr	5	10	12
		690 V	kVAr	8	15	20
Power loss / pole	With rated current, without fuse		W	0.8	1.3	1.3
Mechanical endurance	Divide by two for operation cycles		Oper.	20 000	20 000	20 000
Fuse types, IEC 60269-2-1	DIN 43620, Neozed DIN49522 NFC 63210, 63211 BS 88-2, -6 -size / distance of fuse-link bolts			D 01		10x38
			mm		A1 M4/44.5	
			mm			
Weight without accessories	3-pole switch fuses 4-pole switch fuses		kg	0.7	0.7	0.7
			kg	0.9	0.9	0.9
Built-in terminal size		Cu	mm ²	0.75...10	0.75...10	0.75...10
Terminal bolt size (included)	Metric thread diameter x length		mm			
Terminal tightening torque	Counter torque required		Nm	2	2	2
Fuse-links bolts tightening torque			Nm		2	
Operating torque	Typical for 3-pole switch fuses		Nm	3	3	3

* = Utilization category B

¹⁾ Ambient temperature 60 °C: derating 20%

Mounting on "ceiling": derating 10%,

²⁾ OS160G: Mounting on wall, horizontal fuses: derating 5%

³⁾ Max. fuse body diam. 32 mm

⁴⁾ Some fuse links limit these figures further. Starting current characteristics must be considered separately

⁵⁾ Acc. to IEC 60947-1, § 6.1.1

⁶⁾ Max. fuse body diam. 22 mm



Switch fuses OS 16-160

Technical data

OS Mini 32	OS Mini 35	OS Mini 40	OS 32G	OS 50G	OS 63G	OS 100G	OS 125G	OS 160G
1 000 10 12	1 000 10 12	1 000 10 12	1 000 10	1 000 10	1 000 10	1 000 10	1 000 10	1 000 10
32/3.5 32/3.5 32 6	35/4 35/4 35 10	40/4.5 40/4.5 40 10	32/7.5 32/7.5 6	50/7.5 50/7.5 10	63/7.5 63/7.5 16	100/12 100/12 50	125/12 125/12 50	160/12 160/12 70
1 000 32 32 32 32 32	1 000 35 35 35 35 35	1 000 40 40 40 40 40	1 000 32 32 32 32 32	1 000 50 50 50 50 50	1 000 63 63 63 63 63	1 000 100 100 100 100 100	1 000 125 125 125 125 125	1 000 160 160 160 160 160
32/2 32/2 32/4	32/2 32/2 32/4	32/2 32/2 32/4	32/2 32/2* 32/4*	50/2 50/2* 50/4*	63/2 63/2* 50/4*	100/2 100/2* 100/4*	125/2 125/2* 125/4*	160/2 125/2* 125/4*
32/2 32/2 32/4	32/2 32/2 32/4	32/2 32/2 32/4	32/2 32/2* 32/2*	50/2 50/2*	63/2 63/2*	100/2 100/2*	125/2 125/2*	160/2 125/2*
7.5 15 15 18.5 22	7.5 15 15 22 30	11 18.5 18.5 22 30	7.5 15 15 18.5 22	11 22 22 30 37	18.5 30 30 37 55	30 55 55 55 90	37 55 55 75 110	45 75 75 90 132
256 256	280 280	320 320	504 504	504 504	504 504	1280 1280	1280 1280	1280 1280
128/2 128/4	128/2 128/4	128/2 128/4	252/2	252/2	252/2	640/2	640/2	640/2
9	9	9	13.5 80/63	13.5 80/63	13.5 80/63	23.5 160/160	23.5 160/160	23.5 160/160
8	8	8	12.5 63/63	12.5 63/63	12.5 63/63	25.5 160/160	25.5 160/160	25.5 160/160
7	7	7	9.5 63/63	9.5 63/63	9.5 63/63	17.5 125/160	17.5 125/160	17.5 125/160
7.5	7.5	7.5	11.5 63/63	11.5 63/63	11.5 63/63	20.5 125/160	20.5 125/160	20.5 125/160
1	1	1	2.5	2.5	2.5	5	5	5
15 15 25	15 15 25	15 15 25	15 15 25	20 25 42	25 32 50	40 42 75	50 55 90	60 65 100
2	2.4	3.5	1	2.5	4	4	5	9
20 000	20 000	20 000	20 000	20 000	20 000	20 000	20 000	20 000
14x51 A1, A2, F1 M4/44.5 (A1) M4/73 (A2)	D 02	000	000	14x51	000	20 000	000, 00 22x58 A2-A4 ³⁾ M5/73, M8/94	000, 00 22x58 A2-A4 ³⁾ M5/73, M8/94
0.7 0.9 0.75...10	0.7 0.9 0.75...10	0.8 1.0 0.75...10	1.1 1.3 2.5...25	1.1 1.3 2.5...25	1.1 1.3 2.5...25	1.4 1.8	1.4 1.8	1.4 1.8
2	2	2	4	4	4	M8x25	M8x25	M8x25
2 3	3	3	3.5 5	5	3.5 5	M5:3.5 M8:5 7	M5:3.5 M8:5 7	M5:3.5 M8:5 7

Placing options of the operating mechanism



At the end of the switch fuse
OS_03 or 04

Between the poles
OS_12 or 22

Side operated types
OS_30 or 40
OS_03 or 04



Switch fuses OS 200-1250

Technical data

Technical data according to IEC 60947-3

			A	OS 200
			Switch size	
Rated insulation voltage and rated operational voltage AC-20 and DC-20	Pollution degree 3		V	1000
Dielectric strength		50 Hz 1min.	kV	10
Rated impulse withstand voltage			kV	12
Rated thermal current in ambient 35 °C and temporarily in 40 °C ³⁾ / max. fuse power dissipation	In open air In enclosure		A/W	200/17
...with minimum cable cross section		Cu	A/W mm ²	200/15 95
Rated thermal current of detachable neutral	In open air / Cu cable or bar cross section	In "N3" types	A/mm ²	290/120
Derating, mounting on wall horizontal fuses	In open air or ventilated enclosure		%	0
Derating, mounting on 'ceiling'	Totally enclosed		%	5
Derating at 60 °C	In open air / in enclosure		%	10
Rated operational current AC-21A		≤ 500 V	A	200
		690 V	A	200
Rated operational current AC-22A		≤ 415 V	A	200
		500 V	A	200
		690 V	A	200
Rated operational current AC-23A		≤ 415 V	A	200
		500 V	A	200
		690 V	A	200
Rated operational current / poles in series DC-21A, DC-22A and DC-23A		≤ 220 V	A	200/1
		440 V	A	200/2
		660 V	A	200/3
		750 V	A	180/4
		880 V	A	180/4
Rated operational power AC-23 ¹⁾		230 V	kW	60
		400 V	kW	110
		415 V	kW	110
		500 V	kW	132
		690 V	kW	200
Rated breaking capacity AC-23		≤ 500 V	A	1600
		690 V	A	1600
Rated conditional short-circuit current I _p (r.m.s.) and corresponding max. allowed cut-off current I _c	I _p (r.m.s.) Max. OFA fuse size gG/aM	80 kA, 415 V	kA	35
	I _p (r.m.s.) Max. OFA fuse size gG/aM	100 kA, 500 V	A	250/200
	I _p (r.m.s.) Max. OFA fuse size gG/aM	80 kA, 690 V	kA	37.5
	I _p (r.m.s.) Max. BS fuse size gG/gM	50 kA, 415 V	A	250/200
	I _p (r.m.s.) Max. BS fuse size gG/gM	80 kA, 690 V	kA	25
The cut-off current I _c refers to values listed by fuse manufacturers (single phase test acc. to IEC60269)	I _p (r.m.s.) Max. BS fuse size gG/gM	50 kA, 415 V	A	160/
	I _p (r.m.s.) Max. BS fuse size gG/gM	80 kA, 690 V	kA	28
			A	200/200M315
			A	28
			A	200/200M250
Rated short-time withstand current, 1s.	r.m.s. -value Max. distance from switch frame to nearest busbar/cable support		kA	8
			mm	150
Rated capacitor power when no initial charge of the capacitor	The capacitor ratings of the switch-fuses are limited by the fuse links	400 V	kVAr	90
		415 V	kVAr	100
		500 V	kVAr	120
		690 V	kVAr	160
Power loss / pole	With rated current, without fuse		W	8
Mechanical endurance	Divide by two for operation cycles		Oper.	20 000
Fuse types, IEC 60269-2	Sec. I, DIN 43620 Sec. IA, NFC 0-3 Ref.A, 4a Ref.B Sec. II, BS 88 Size / distance of fuse-link bolts			0
			mm	B1-B2 M6/111
Weight without accessories	3-pole switch fuses		kg	2.6
Terminal bolt size (included)	Metric thread diameter x length		mm	M8x25
Terminal tightening torque	Counter torque required		Nm	15-22
Fuse-links bolts tightening torque			Nm	4
Operating torque	Typical for 3-pole switch fuses		Nm	7

¹⁾ These values are given for guidance and may vary acc. to the motor manufacturer.
²⁾ Max fuse body dia 52 mm.

³⁾ Max fuse body dia 62 mm.
⁴⁾ Category B
⁵⁾ Acc. to IEC 60957-2, § 6.1.1.

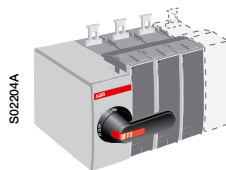


Switch fuses OS 200-1250

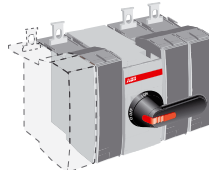
Technical data

OS 250	OS 315	OS 400	OS 630	OS 800	OS 1250
1000 10 12	1000 10 12	1000 10 12	1000 10 12	1000 10 12	1000 10 12
250/23 250/20 120	315/32 315/32 185	400/45 400/30 240	630/60 570/50 2 x 185	800/65 720/55 2 x 240	1250/110 1000/85 2 x 400
290/120	450/240	450/240	900/2 X 240	900/2 x 240	1250/2 x 400
0 5 10	0 5 10	4 8 10	0 5 10	4 8 10	4 8 10
20/20	20/20	20/20	20/20	20/20	20/20
250 250	315 315	400 400	630 630	800 800	1250 ⁴⁾ 1250 ⁴⁾
250 250 250	315 315 315	400 400 400	630 630 630	800 800 800	1250 ⁴⁾ 1250 ⁴⁾ 1250 ⁴⁾
250 250 250	315 315 315	400 400 400	630 630 630	800 800 800	1000 ⁴⁾ 1000 ⁴⁾ 1000 ⁴⁾
250/1 250/2 250/3 230/4 230/4	315/2 315/3 ⁴⁾ 315/4 ⁴⁾ 315/4 ⁴⁾	400/2 400/3 ⁴⁾ 400/4 ⁴⁾ 400/4 ⁴⁾	630/1 ⁴⁾ 630/2 ⁴⁾ 630/3 ⁴⁾ 630/4 ⁴⁾ 630/4 ⁴⁾	800/1 ⁴⁾ 800/2 ⁴⁾ 720/3 ⁴⁾ 720/4 ⁴⁾ 720/4 ⁴⁾	
75 140 145 170 250	100 160 180 220 315	132 220 230 280 400	200 355 355 450 630	250 450 450 560 710	315 560 560 710 1000
2000 2000	3200 3200	3200 3200	6400 6400	6400 6400	8000 8000
40.5 355/315		59 500/500	77 800/800	77 800/800	89 1250/1250
37.5 250/250		63.5 500/500	83 800/800	83 800/800	105 1250/-
32.5 200/250		46 315/400	55 -/630	55 -/630	88 1000/1000
28 250/200M315	44 400/400M500	44 400/400M500			
28 250/200M250	48 400/400M450	48 400/400M450	55	55	109 1250/-
8 150	14 150	14 150	18 150	18 150	40 150
105 115 135 190	145 160 175 250	180 200 215 325	250 270 300 450	310 340 375 550	440 460 550 750
13	19	30	46	75	75
20 000	16 000	16 000	10 000	10 000	6000
0-1 1 B1-B3 ³⁾ M8/111		0-2 2 B1-B4 ³⁾ M8/111	3 3 C1-C2 M10/133, 184	3 3 C1-C3 M10/133, 184	4, 4 a 4 a D1 2xM12/149
3.1 M10x30 30-44 5 7	5.7 M10x30 30-44 20 19	5.7 M10x30 30-44 20 19	11.5 M12x40 50-75 M10:30 M12:40 38	11.5 M12x40 50-75 M10:30 M12:40 38	29 M12x50 50-75 M12:40 65

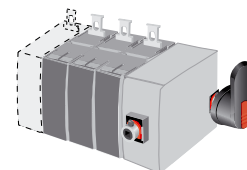
Placing options of the operating mechanism



At the end of the switch fuse
OS_03 or 04



Between the poles
OS_12 or 22



Side operated types
OS_30 or 40
OS_03 or 04



Fusible disconnect switches OS 30-800

Technical data

Switch size	A	OS Mini 30	OS 60G
Approvals	3 pole 4 pole	UL 98/CSA/IEC UL 98/CSA/IEC	UL 98/CSA/IEC UL 98/CSA/IEC

Technical data according to UL/CSA

General purpose amp rating	pf= 0.7...0.8	-40° to 40 °C	A	30	60
Max. operating voltage			V	600	600
Max. horsepower rating / motor FLA current	pf= 0.4...0.5	240 V	HP/A	7.5/22.0	15/42.0
		480 V	HP/A	15/21.0	30/40.0
	600 V	HP/A	20/22.0	50/52.0	
	Single phase	120 V	HP/A	2/24.0	
240 V		HP/A	3/17.0		
Short circuit rating with fuse			kA	200	100
		UL fuse size	A	30	60
		UL fuse type		J/CC	J
	CSA fuse type		C		
Min. electrical endurance	pf= 0.75...0.8	operation cycles		6000	6000
Mechanical endurance		operation		20 000	20 000
Terminal lug kits				Integral	Integral
Wire range			AWG	#18-8	#14-4
Torque	Wire tightening		lb.in.	17	30
	Lug mounting		lb.in.	N/A	N/A

Technical data according to IEC 60947-3

Rated insulation voltage	Pollution degree 3		V	1 000	1 000
Dielectric strength		50 Hz 1min.	kV	10	10
Rated impulse withstand voltage			kV	12	
Rated thermal current in ambient 40 °C / max. fuse power dissipation ¹⁾	In open air		A/W	32/3.5	63/7.5
	In enclosure ²⁾		A/W	32/3.5	63/7.5
...with minimum cable cross section		Cu	mm ²	6	16
Rated operational current, AC-23A		up to 500 V	A	32	63
		690 V	A	32	63
Rated operational power, AC-23 ³⁾	The kW-ratings are accurate for three-phase 1500 R.P.M. standard asynchronous motors.	230 V	kW	7.5	18.5
		400 V	kW	15	30
		415 V	kW	15	30
		500 V	kW	18.5	37
		690 V	kW	22	55
Rated breaking capacity in category AC-23		up to 500 V	A	256	504
		690 V	A	256	504
Rated short-time withstand current, 1 s	r.m.s. -value		kA	1	2.5
Power loss / pole	With rated current, without fuse		W	2	4
Weight without accessories	3-pole switch fuses		kg	0.7	1.3
	4-pole switch fuses		kg	0.9	1.6
Built-in terminal size		Cu	mm ²	0.75...10	2.5...25
Terminal bolt size (included)	Metric thread diameter x length		mm		
Fuse-links bolts tightening torque			Nm	2	3.5

¹⁾ = Utilization category B

²⁾ Ambient temperature 60 °C: derating 20%

³⁾ Mounting on "ceiling": derating 10%. Mounting on wall, horizontal fuses: derating 8%

⁴⁾ Some fuse links limit these figures further. Starting current characteristics must be considered separately.



Fusible disconnect switches OS 30-800

Technical data

OS 100G	OS 200	OS 400	OS 600	OS 800	OS 1200
UL 98/CSA/IEC UL 98/CSA/IEC	UL 98/CSA/IEC UL 98/CSA/IEC	UL 98/CSA/IEC UL 98/CSA/IEC	UL 98/CSA/IEC UL 98/CSA/IEC	UL 98/CSA/IEC UL 98/CSA/IEC	UL 98/CSA/IEC UL 98/CSA/IEC
100 600	200 600	400 600	600 600	800 600	1200 600
30/80.0 60/77.0 75/77.0	60/154.0 125/156.0 150/144.0	125.0/312.0 250.0/302.0 350.0/336.0	200/480.0 400/477.0 500/472.0	250/602.0 500/590.0 500/472.0	
100 100 J	200 200 J	200 400 J	200 600 J	200 800 L	200 1200 L
6000 20 000	6000 16 000	1000 12 000	1000 4000	500 3000	500 2000
OZXA-24 #14-2/0	OZXA-200 #4-300MCM	OZXA-400 #2-600MCM	OZXA-800 (2)#2-600MCM	OZXA-800 (2)#2-600MCM	OZXA-1200 (4)#2-600MCM
120 50	275	375	500 480	500 480	500 480
1 000 10	1 000 10 12	1 000 10 12	1 000 10 12	1 000 10 12	1000 10 12
160/12 160/10, 135/12	200/17 200/15	400/45 400/30	630/60 570/50	800/65 720/55	1250/110 1000/85
70 160 160	95 200 200	240 400 400	2x185 630 630	2x240 800 800	2x400 1000 *) 1000 *)
45 75 75 90 132	60 110 110 132 200	132 220 230 280 400	200 355 355 450 630	250 450 450 560 710	315 *) 560 *) 560 *) 710 *) 1000 *)
1280 1280	1600 1600	3200 3200	6400 6400	6400 6400	8000 8000
5 9 1.5 1.8	8 8 2.6	14 30 5.7	20 46 11.5	20 75 11.5	75 29
M6x20 M5:3.5 M8:5	M8x25 4	M10x30 20	M12x40 40	M12x40 40	M12x50 40



Front operated switch fuses

Including terminal bolt kit in OS125G...160G, a black ON-OFF plastic handle and shaft as standard. The handle is IP65 protected, padlockable in the OFF-position and with door interlock in the ON-position. The shaft is adjustable for a range of installation depths.

Rated current AC-20...23 ≤ 690V [A]	Rated power AC-23 400/500/690V [kW]	Fuse size	Number of poles	Type	Order number	Units/ type	Weight [kg]
--	--	-----------	-----------------	------	--------------	----------------	----------------

Mechanism between the poles

Protected tunnel terminals, IP20

40	18.5/22/30	000	3	OS40FD12000	1SCA108914R1001	1	0.8
40	18.5/22/30	000	4	OS40FD22000N1	1SCA108938R1001	1	1.0
32	15/18.5/22	000	3	OS32GD12P	1SCA114581R1001	1	1.3
32	15/18.5/22	000	4	OS32GD22N2P	1SCA115202R1001	1	1.6
32	15/18.5/22	000	4	OS32GD22FP	1SCA115205R1001	1	1.6
63	30/37/55	000	3	OS63GD12P	1SCA115227R1001	1	1.3
63	30/37/55	000	4	OS63GD22N2P	1SCA115230R1001	1	1.6
63	30/37/55	000	4	OS63GD22FP	1SCA115232R1001	1	1.6

Terminal bolt kit

125	55/75/110	000, 00	3	OS125GD12P	1SCA115641R1001	1	1.5
125	55/75/110	000, 00	4	OS125GD22N2P	1SCA115880R1001	1	1.8
125	55/75/110	000, 00	4	OS125GD22FP	1SCA116732R1001	1	1.8
160	75/90/132	000, 00	3	OS160GD12P	1SCA115643R1001	1	1.5
160	75/90/132	000, 00	4	OS160GD22N2P	1SCA115884R1001	1	1.8
160	75/90/132	000, 00	4	OS160GD22FP	1SCA116855R1001	1	1.8

Mechanism at the end of the switch fuse

Protected tunnel terminals, IP20

32	15/18.5/22	000	3	OS32GD03P	1SCA115189R1001	1	1.3
32	15/18.5/22	000	4	OS32GD04N2P	1SCA115193R1001	1	1.6
32	15/18.5/22	000	4	OS32GD04FP	1SCA115196R1001	1	1.6
63	30/37/55	000	3	OS63GD03P	1SCA115207R1001	1	1.3
63	30/37/55	000	4	OS63GD04N2P	1SCA115209R1001	1	1.6
63	30/37/55	000	4	OS63GD04FP	1SCA115228R1001	1	1.6

Terminal bolt kit

125	55/75/110	000, 00	3	OS125GD03P	1SCA115639R1001	1	1.5
125	55/75/110	000, 00	4	OS125GD04N2P	1SCA115877R1001	1	1.8
125	55/75/110	000, 00	4	OS125GD04FP	1SCA115686R1001	1	1.8
160	75/90/132	000, 00	3	OS160GD03P	1SCA115399R1001	1	1.5
160	75/90/132	000, 00	4	OS160GD04N2P	1SCA115882R1001	1	1.8
160	75/90/132	000, 00	4	OS160GD04FP	1SCA115402R1001	1	1.8

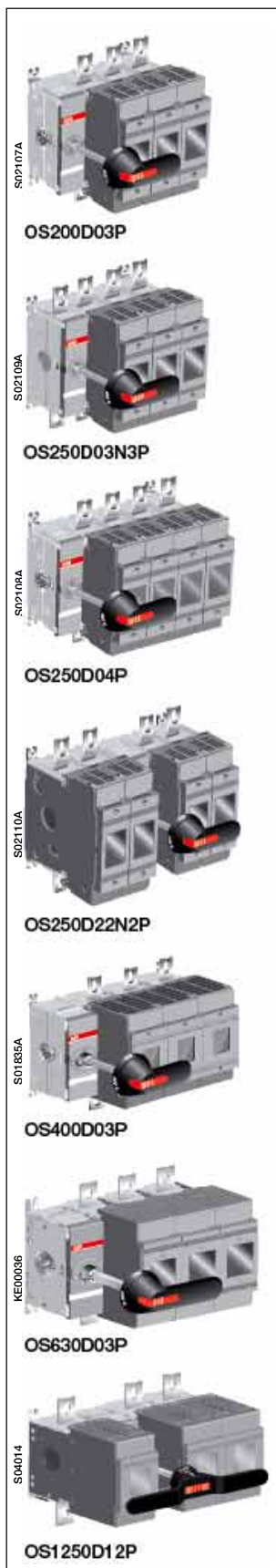
Shafts and handles included as standard

Suitable for switches	Included shaft	Included handle	Included terminal bolts
OS40_	OX P6X150	OHB65J6	
OS32G_...63G_	OX P6X161	OHB45J6	
OS125G_...160G_	OX P6X161	OHB65J6	M8X25

F = Fused switched neutral
 N1 = Non-fused switched neutral on the left side
 N2 = Non-fused switched neutral on the right side



Switch fuses, DIN-types Ordering information



Front operated switch fuses

Including terminal bolt kit, a black ON-OFF plastic handle and shaft as standard. The handle is IP65 protected, padlockable in the OFF-position and with door interlock in the ON-position. The shaft is adjustable for a range of installation depths.

Rated current AC-20...23 ≤ 690V [A]	Rated power AC-23 400/500/690V [kW]	Number of poles	Fuse size	Type	Order number	Units/ type [pcs]	Weight [kg]
Mechanism between the poles							
200	110/132/200	3	00	OS200DZ12P	1SCA022820R9150	1	3.3
200	110/132/200	3	0	OS200D12P	1SCA022721R3050	1	3.3
200	110/132/200	4	0	OS200D22N2P	1SCA022721R3130	1	4.2
250	145/170/250	3	0-1	OS250D12P	1SCA022726R8380	1	4.3
250	145/170/250	4	0-1	OS250D22N2P	1SCA022726R8460	1	5.1
400	230/280/400	3	0-2	OS400D12P	1SCA022753R3800	1	7.1
400	230/280/400	4	0-2	OS400D22N2P	1SCA022753R1770	1	9.1
630	355/450/630	3	3	OS630D12P	1SCA022825R3810	1	13.6
630	355/450/630	4	3	OS630D22N2P	1SCA022825R4450	1	16.9
800	450/560/710	3	3	OS800D12P	1SCA022825R5340	1	13.6
800	450/560/710	4	3	OS800D22N2P	1SCA022825R5510	1	16.9
1250A ¹⁾ 1000A ²⁾	560/710/1000	3	4	OS1250D12P	1SCA105246R1001	1	46
1250A ¹⁾ 1000A ²⁾	560/710/1000	4	4	OS1250D22N2P	1SCA107933R1001	1	55
1250A ¹⁾ 1000A ²⁾	560/710/1000	3	4a	OS1250DA12P	1SCA105241R1001	1	46
1250A ¹⁾ 1000A ²⁾	560/710/1000	4	4a	OS1250DA22N2P	1SCA107935R1001	1	55
Mechanism at the end of the switch fuse							
200	110/132/200	3	00	OS200DZ03P	1SCA022797R3440	1	3.3
200	110/132/200	4	00	OS200DZ04N2P	1SCA022820R9230	1	4.2
200	110/132/200	3	0	OS200D03P	1SCA022709R9500	1	3.3
200	110/132/200	3+N	0	OS200D03N3P	1SCA022749R8710	1	3.4
200	110/132/200	4	0	OS200D04N2P	1SCA022709R9680	1	4.2
200	110/132/200	4	0	OS200D04FP	1SCA022725R4750	1	4.2
250	145/170/250	3	0-1	OS250D03P	1SCA022719R0090	1	4.3
250	145/170/250	3+N	0-1	OS250D03N3P	1SCA022749R9430	1	4.4
250	145/170/250	4	0-1	OS250D04N2P	1SCA022719R2380	1	5.1
250	145/170/250	4	0-1	OS250D04FP	1SCA022726R8620	1	5.1
400	230/280/400	3	0-2	OS400D03P	1SCA022719R0250	1	7.1
400	230/280/400	3+N	0-2	OS400D03N3P	1SCA022753R9320	1	7.5
400	230/280/400	4	0-2	OS400D04N2P	1SCA022719R2460	1	9.1
400	230/280/400	4	0-2	OS400D04FP	1SCA022753R7110	1	9.1
630	355/450/630	3	3	OS630D03P	1SCA022825R2830	1	13.6
630	355/450/630	3+N	3	OS630D03N3P	1SCA100858R1001	1	14.5
630	355/450/630	4	3	OS630D04N2P	1SCA022825R4290	1	16.9
630	355/450/630	4	3	OS630D04FP	1SCA022825R4610	1	16.9
800	450/560/710	3	3	OS800D03P	1SCA022825R4880	1	13.6
800	450/560/710	3+N	3	OS800D03N3P	1SCA100859R1001	1	14.5
800	450/560/710	4	3	OS800D04N2P	1SCA022825R5180	1	16.9
800	450/560/710	4	3	OS800D04FP	1SCA022825R5000	1	16.9
1250A ¹⁾ 1000A ²⁾	560/710/1000	3	4	OS1250D03P	1SCA105475R1001	1	46
1250A ¹⁾ 1000A ²⁾	560/710/1000	3+N	4	OS1250D03N3P	1SCA107932R1001	1	47
1250A ¹⁾ 1000A ²⁾	560/710/1000	4	4	OS1250D04N2P	1SCA105248R1001	1	55
1250A ¹⁾ 1000A ²⁾	560/710/1000	4	4	OS1250D04FP	1SCA105473R1001	1	55
1250A ¹⁾ 1000A ²⁾	560/710/1000	3	4a	OS1250DA03P	1SCA105238R1001	1	46
1250A ¹⁾ 1000A ²⁾	560/710/1000	3+N	4a	OS1250DA03N3P	1SCA107934R1001	1	47
1250A ¹⁾ 1000A ²⁾	560/710/1000	4	4a	OS1250DA04N2P	1SCA105243R1001	1	55
1250A ¹⁾ 1000A ²⁾	560/710/1000	4	4a	OS1250DA04FP	1SCA105240R1001	1	55

Shafts and handles included as standard

Suitable for switches	Included shaft	Included handle	Included terminal bolts
OS200_P	OXF6X210	OHB65J6	M8X25
OS250_P	OXF6X210	OHB65J6	M10X30
OS400_P	OXF12X250	OHB95J12	M10X30
OS630...800_P	OXF12X280	OHB145J12	M12X40
OS1250_P	OXF12X395	OHB200J12P	M12x50

F = Fused switched neutral
N2 = Non-fused switched neutral on the right side
N3 = Include a detachable neutral link integrated into the mechanism.

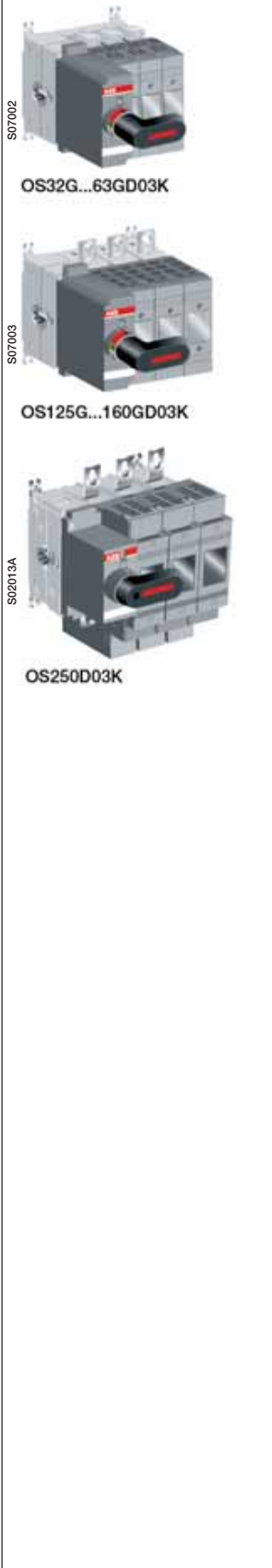
¹⁾ AC-20...22
²⁾ AC-23



Switch fuses, DIN-types Ordering information

Front operated switch fuses with direct mounted handle

Including a black Test-OFF-ON plastic handle and shaft as standard. The handle is padlockable in the OFF-position.



Rated current AC-20...23 ≤ 690V [A]	Rated power AC-23 400/500/690V [kW]	Number of poles	Fuse size	Type	Order number	Units/ Weight type	
						[pcs]	[kg]
Protected tunnel terminals, IP20							
32	15/18.5/22	3	000	OS32GD03K	1SCA116733R1001	1	1.3
32	15/18.5/22	4	000	OS32GD04N2K	1SCA116734R1001	1	1.6
32	15/18.5/22	4	000	OS32GD04FK	1SCA116737R1001	1	1.6
63	30/37/55	3	000	OS63GD03K	1SCA116738R1001	1	1.3
63	30/37/55	4	000	OS63GD04N2K	1SCA116876R1001	1	1.6
63	30/37/55	4	000	OS63GD04FK	1SCA116739R1001	1	1.6
Terminal bolt kit							
125	55/75/110	3	000, 00	OS125GD03K	1SCA116878R1001	1	1.5
125	55/75/110	4	000, 00	OS125GD04N2K	1SCA116740R1001	1	1.8
125	55/75/110	4	000, 00	OS125GD04FK	1SCA116741R1001	1	1.8
160	75/90/132	3	000, 00	OS160GD03K	1SCA116742R1001	1	1.5
160	75/90/132	4	000, 00	OS160GD04N2K	1SCA116743R1001	1	1.8
160	75/90/132	4	000, 00	OS160GD04FK	1SCA116880R1001	1	1.8
200	110/132/200	3	0	OS200D03K	1SCA022764R7130	1	3.3
200	110/132/200	4	0	OS200D04N2K	1SCA022768R7430	1	4.2
250	145/170/250	3	0-1	OS250D03K	1SCA022763R6360	1	4.3
250	145/170/250	4	0-1	OS250D04N2K	1SCA022763R6440	1	5.1
400	230/280/400	3	0-2	OS400D03K	1SCA022779R5410	1	7.0
400	230/280/400	4	0-2	OS400D04N2K	1SCA022763R7250	1	9.0
630	355/450/630	3	3	OS630D03K	1SCA108704R1001	1	13
630	355/450/630	4	3	OS630D04N2K	1SCA108705R1001	1	16
800	450/560/710	3	3	OS800D03K	1SCA108725R1001	1	13
800	450/560/710	4	3	OS800D04N2K	1SCA108722R1001	1	16
1250A ¹⁾ 1000A ²⁾	560/710/1000	3	4	OS1250D03K	1SCA108718R1001	1	45
1250A ¹⁾ 1000A ²⁾	560/710/1000	4	4	OS1250D04N2K	1SCA108719R1001	1	54
1250A ¹⁾ 1000A ²⁾	560/710/1000	3	4a	OS1250DA03K	1SCA108720R1001	1	45
1250A ¹⁾ 1000A ²⁾	560/710/1000	4	4a	OS1250DA04N2K	1SCA108721R1001	1	54

Shafts and handles included as standard

Suitable for switches	Included handle and shaft kit	Included terminal bolts
OS32G...63G_K	OSV200BK	-
OS125G...160G_K	OSV200BK	M8X25
OS200_K	OSV250DK	M8X25
OS250_K	OSV250DK	M10X30
OS400_K	OSV400DK	M10X30
OS630...800_K	OSV800DK	M12X40
OS1250_K	OSV1250DK	M12x50

F = Fused fourth pole
N2 = Non-fused switched neutral on the right side

¹⁾ AC-20...22
²⁾ AC-23



Switch fuses, BS-types Ordering information



Front operated switch fuses

Including terminal bolt kit in OS100G...160G, a black ON-OFF plastic handle and shaft as standard. The handle is IP65 protected, padlockable in the OFF-position and with door interlock in the ON-position. The shaft is adjustable for a range of installation depths.

Rated current AC-20...23 ≤ 690V [A]	Rated power AC-23 415/500/690V [kW]	Fuse size	Number of poles	Type	Order number	Units/ type [pcs]	Weight [kg]
-------------------------------------	-------------------------------------	-----------	-----------------	------	--------------	-------------------	-------------

Mechanism between the poles

Protected tunnel terminals, IP20

20	7.5/11/15	A1	3	OS20FB12A1	1SCA108790R1001	1	0.7
20	7.5/11/15	A1	4	OS20FB22A1N1	1SCA108796R1001	1	0.9
32	15/18/25	A1	3	OS32FB12A1	1SCA108840R1001	1	0.7
32	15/18/25	A1	4	OS32FB22A1N1	1SCA108853R1001	1	0.9
32	15/18.5/22	A2	3	OS32FB12A2	1SCA108847R1001	1	0.7
32	15/18.5/22	A2	4	OS32FB22A2N1	1SCA108863R1001	1	0.9
32	15/18.5/22	F1	3	OS32FB12F1	1SCA108851R1001	1	0.7
32	15/18.5/22	F1	4	OS32FB22F1N1	1SCA109003R1001	1	0.9
32	15/18.5/22	A2, A3	3	OS32GB12P	1SCA115331R1001	1	1.3
32	15/18.5/22	A2, A3	4	OS32GB22N1P	1SCA115345R1001	1	1.6
63	30/37/55	A2, A3	3	OS63GB12P	1SCA115325R1001	1	1.3
63	30/37/55	A2, A3	4	OS63GB22N1P	1SCA114601R1001	1	1.6

Terminal bolt kit

100	55/55/90	A2, A3, A4 ¹⁾	3	OS100GB12P	1SCA114586R1001	1	1.5
100	55/55/90	A2, A3, A4 ¹⁾	4	OS100GB22N1P	1SCA114602R1001	1	1.8
125	55/75/110	A2, A3, A4 ¹⁾	3	OS125GB12P	1SCA114603R1001	1	1.5
125	55/75/110	A2, A3, A4 ¹⁾	4	OS125GB22N1P	1SCA115903R1001	1	1.8
160	75/90/132	A2, A3, A4 ¹⁾	3	OS160GB12P	1SCA115637R1001	1	1.5
160	75/90/132	A2, A3, A4 ¹⁾	4	OS160GB22N1P	1SCA115899R1001	1	1.8

Mechanism at the end of the switch fuse

Protected tunnel terminals, IP20

32	15/18.5/22	A2, A3	3	OS32GB03P	1SCA115259R1001	1	1.3
32	15/18.5/22	A2, A3	4	OS32GB04N1P	1SCA114610R1001	1	1.6
63	30/37/55	A2, A3	3	OS63GB03P	1SCA115235R1001	1	1.3
63	30/37/55	A2, A3	4	OS63GB04N1P	1SCA115238R1001	1	1.6

Terminal bolt kit

100	55/55/90	A2, A3, A4 ¹⁾	3	OS100GB03P	1SCA114613R1001	1	1.5
100	55/55/90	A2, A3, A4 ¹⁾	4	OS100GB04N1P	1SCA114614R1001	1	1.8
125	55/75/110	A2, A3, A4 ¹⁾	3	OS125GB03P	1SCA115634R1001	1	1.5
125	55/75/110	A2, A3, A4 ¹⁾	4	OS125GB04N1P	1SCA115901R1001	1	1.8
160	75/90/132	A2, A3, A4 ¹⁾	3	OS160GB03P	1SCA115413R1001	1	1.5
160	75/90/132	A2, A3, A4 ¹⁾	4	OS160GB04N1P	1SCA115896R1001	1	1.8

Shafts and handles included as standard

Suitable for switches	Included shaft	Included handle	Included terminal bolts
OS20...32FB_ (OS Mini)	OXF6X150	OHB65J6	
OS32G...63G_P	OXF6X161	OHB45J6	
OS100G...160G_P	OXF6X161	OHB65J6	M8X25

N1 = Non-fused switched neutral on the left side

¹⁾ Max. fuse diameter 32 mm



Switch fuses, BS -types

Ordering information

Front operated switch fuses

Including terminal bolt kit, a black ON-OFF plastic handle and shaft as standard. The handle is IP65 protected, padlockable in the OFF-position and with door interlock in the ON-position. The shaft is adjustable for a range of installation depths.



Rated current AC-20...23 ≤ 690V [A]	Rated power AC-23 415/500/690V [kW]	Fuse size	Number of poles	Type	Order number	Units/ type [pcs]	Weight [kg]
Mechanism between the poles							
200	110/132/200	B1-B2	3	OS200B12P	1SCA022721R3210	1	3.3
200	110/132/200	B1-B2	4	OS200B22N2P	1SCA022721R3300	1	4.2
250	145/170/250	B1-B3	3	OS250B12P	1SCA022778R9860	1	4.3
250	145/170/250	B1-B3	4	OS250B22N2P	1SCA022778R9940	1	5.1
315	180/220/315	B1-B4	3	OS315B12P	1SCA022753R2310	1	7.1
315	180/220/315	B1-B4	4	OS315B22N2P	1SCA022753R3390	1	9.1
400	230/280/400	B1-B4	3	OS400B12P	1SCA022753R3470	1	7.1
400	230/280/400	B1-B4	4	OS400B22N2P	1SCA022753R7200	1	9.1
630	355/450/630	C1-C2	3	OS630B12P	1SCA022825R6400	1	13.6
630	355/450/630	C1-C2	4	OS630B22N2P	1SCA022825R6660	1	16.9
800	450/560/710	C1-C3	3	OS800B12P	1SCA022825R8280	1	13.6
800	450/560/710	C1-C3	4	OS800B22N2P	1SCA022825R8440	1	16.9
1250A ¹⁾ 1000A ²⁾	560/710/1000	D1	3	OS1250B12P	1SCA105470R1001	1	46
1250A ¹⁾ 1000A ²⁾	560/710/1000	D1	4	OS1250B22N2P	1SCA107937R1001	1	55

Mechanism at the end of the switch fuse

200	110/132/200	B1-B2	3	OS200B03P	1SCA022709R9330	1	3.3
200	110/132/200	B1-B2	3+N ³⁾	OS200B03N3P	1SCA022750R0620	1	3.4
200	110/132/200	B1-B2	4	OS200B04N2P	1SCA022709R9410	1	4.2
250	145/170/250	B1-B3	3	OS250B03P	1SCA022750R6660	1	4.3
250	145/170/250	B1-B3	3+N ³⁾	OS250B03N3P	1SCA022750R8010	1	4.4
250	145/170/250	B1-B3	4	OS250B04N2P	1SCA022750R7800	1	5.1
315	180/220/315	B1-B4	3	OS315B03P	1SCA022719R0680	1	7.1
315	180/220/315	B1-B4	3+N ³⁾	OS315B03N3P	1SCA022753R8940	1	7.5
315	180/220/315	B1-B4	4	OS315B04N2P	1SCA022719R2710	1	9.1
400	230/280/400	B1-B4	3	OS400B03P	1SCA022719R0840	1	7.1
400	230/280/400	B1-B4	3+N ³⁾	OS400B03N3P	1SCA022753R9160	1	7.5
400	230/280/400	B1-B4	4	OS400B04N2P	1SCA022719R2890	1	9.1
630	355/450/630	C1-C2	3	OS630B03P	1SCA022825R5850	1	13.6
630	355/450/630	C1-C2	3+N ³⁾	OS630B03N3P	1SCA100860R1001	1	14.5
630	355/450/630	C1-C2	4	OS630B04N2P	1SCA022825R6230	1	16.9
800	450/560/710	C1-C3	3	OS800B03P	1SCA022825R7550	1	13.6
800	450/560/710	C1-C3	3+N ³⁾	OS800B03N3P	1SCA100861R1001	1	14.5
800	450/560/710	C1-C3	4	OS800B04N2P	1SCA022825R8010	1	16.9
1250A ¹⁾ 1000A ²⁾	560/710/1000	D1	3	OS1250B03P	1SCA105250R1001	1	46
1250A ¹⁾ 1000A ²⁾	560/710/1000	D1	3+N ³⁾	OS1250B03N3P	1SCA107936R1001	1	47
1250A ¹⁾ 1000A ²⁾	560/710/1000	D1	4	OS1250B04N2P	1SCA105469R1001	1	55

Shafts and handles included as standard

Suitable for switches	Included shaft	Included handle	Included terminal bolts
OS200_P	OXp6X210	OHB65J6	M8X25
OS250_P	OXp6X210	OHB65J6	M10X30
OS315...400_P	OXp12X250	OHB95J12	M10X30
OS630...800_P	OXp12X280	OHB145J12	M12X40
OS1250_P	OXp12X395	OHB200J12P	M12X50

N2 = Non-fused switched neutral on the right side
 N3 = Include a detachable neutral link integrated into the mechanism.

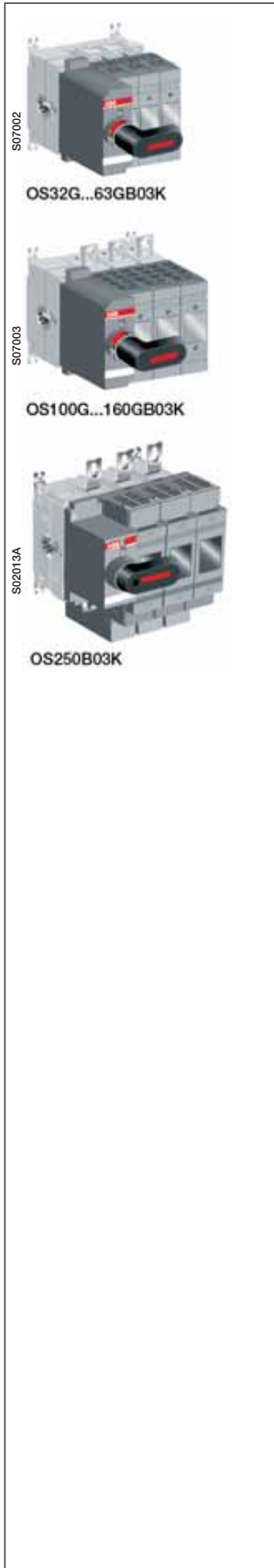
¹⁾ AC-20...22

²⁾ AC-23

³⁾ Include a detachable neutral link integrated into the mechanism



Switch fuses, BS-types Ordering information



Front operated switch fuses with direct mounted handle

Including a black Test-OFF-ON plastic handle and shaft as standard. The handle is padlockable in the OFF-position.

Rated current AC-20...23 ≤ 690V [A]	Rated power AC-23 415/500/690V [kW]	Fuse size	Number of poles	Type	Order number	Units/ type	Weight
						[pcs]	[kg]
Protected tunnel terminals, IP20							
32	15/18.5/22	A2, A3	3	OS32GB03K	1SCA116744R1001	1	1.3
32	15/18.5/22	A2, A3	4	OS32GB04N1K	1SCA116856R1001	1	1.6
63	30/37/55	A2, A3	3	OS63GB03K	1SCA116745R1001	1	1.3
63	30/37/55	A2, A3	4	OS63GB04N1K	1SCA116746R1001	1	1.6
Terminal bolt kit							
100	55/55/90	A2, A3, A4 ³⁾	3	OS100GB03K	1SCA116747R1001	1	1.5
100	55/55/90	A2, A3, A4 ³⁾	4	OS100GB04N1K	1SCA116748R1001	1	1.8
125	55/75/110	A2, A3, A4 ³⁾	3	OS125GB03K	1SCA116751R1001	1	1.5
125	55/75/110	A2, A3, A4 ³⁾	4	OS125GB04N1K	1SCA116752R1001	1	1.8
160	75/90/132	A2, A3, A4 ³⁾	3	OS160GB03K	1SCA116753R1001	1	1.5
160	75/90/132	A2, A3, A4 ³⁾	4	OS160GB04N1K	1SCA116754R1001	1	1.8
200	110/132/200	B1-B2	3	OS200B03K	1SCA022763R6950	1	3.3
200	110/132/200	B1-B2	4	OS200B04N2K	1SCA022763R7090	1	4.2
250	145/170/250	B1-B3	3	OS250B03K	1SCA022763R6010	1	4.3
250	145/170/250	B1-B3	4	OS250B04N2K	1SCA022763R6280	1	5.1
315	180/220/315	B1-B4	3	OS315B03K	1SCA022763R6520	1	7.0
315	180/220/315	B1-B4	4	OS315B04N2K	1SCA022763R6610	1	9.0
400	230/280/400	B1-B4	3	OS400B03K	1SCA022763R6790	1	7.0
400	230/280/400	B1-B4	4	OS400B04N2K	1SCA022763R6870	1	9.0
630	355/450/630	C1-C2	3	OS630B03K	1SCA108708R1001	1	13
630	355/450/630	C1-C2	4	OS630B04N2K	1SCA108710R1001	1	16
800	450/560/710	C1-C3	3	OS800B03K	1SCA108713R1001	1	13
800	450/560/710	C1-C3	4	OS800B04N2K	1SCA108714R1001	1	16
1250A ¹⁾ 1000A ²⁾	560/710/1000	D1	3	OS1250B03K	1SCA108715R1001	1	45
1250A ¹⁾ 1000A ²⁾	560/710/1000	D1	4	OS1250B04N2K	1SCA108717R1001	1	54

Shafts and handles included as standard

Suitable for switches	Included handle and shaft kit	Included terminal bolts
OS32G...63G_K	OSV200BK	
OS100G...160G_K	OSV200BK	M8X25
OS200_K	OSV200BK	M8X25
OS250_K	OSV250DK	M10X30
OS315...400_K	OSV400BK	M10X30
OS630...800_K	OSV800DK	M12X40
OS1250_K	OSV1250DK	M12x50

N1 = Non-fused switched neutral on the left side
N2 = Non-fused switched neutral on the right side

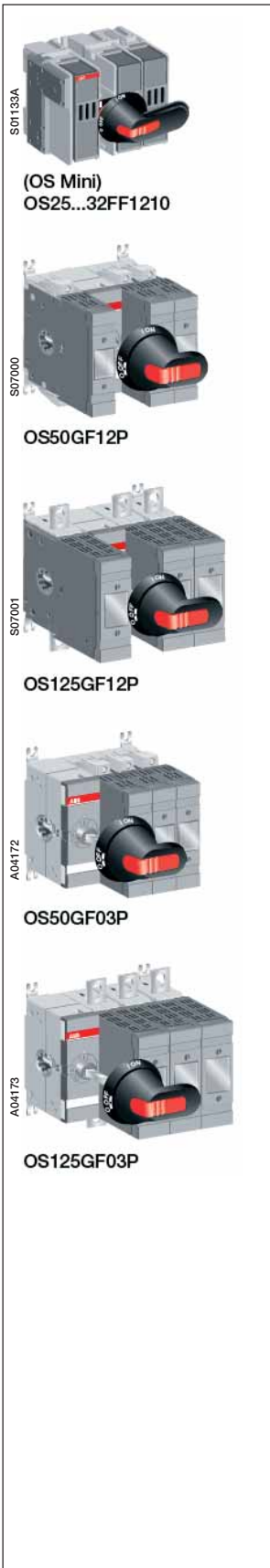
¹⁾ AC-20...22

²⁾ AC-23

³⁾ Max. fuse diameter 32 mm



Switch fuses, NFC-types Ordering information



Front operated switch fuses

Including terminal bolt kit in OS125G, a black ON-OFF plastic handle and shaft as standard. The handle is IP65 protected, padlockable in the OFF-position and with door interlock in the ON-position. The shaft is adjustable for a range of installation depths.

Rated current AC-20...23 ≤ 690V [A]	Rated power AC-23 400/500/690V [kW]	Fuse size	Number of poles	Type	Order number	Units/ type	Weight [kg]
						[pcs]	[kg]

Mechanism between the poles

Protected tunnel terminals, IP20.

25	11/15/22	10x38	3	OS25FF1210	1SCA108636R1001	1	0.7
25	11/15/22	10x38	4	OS25FF2210N1	1SCA108638R1001	1	0.9
25	11/15/22	10x38	4	OS25FF2210F	1SCA108637R1001	1	0.9
32	15/18.5/22	14x51	3	OS32FF1214	1SCA108642R1001	1	0.7
32	15/18.5/22	14x51	4	OS32FF2214N1	1SCA108645R1001	1	0.9
32	15/18.5/22	14x51	4	OS32FF2214F	1SCA108643R1001	1	0.9
50	22/30/37	14x51	3	OS50GF12P	1SCA115553R1001	1	1.3
50	22/30/37	14x51	4	OS50GF22N1P	1SCA114622R1001	1	1.6
50	22/30/37	14x51	4	OS50GF22FP	1SCA114623R1001	1	1.6

Terminal bolt kit

125	55/75/110	22x58	3	OS125GF12P	1SCA114624R1001	1	1.5
125	55/75/110	22x58	4	OS125GF22N1P	1SCA115893R1001	1	1.8
125	55/75/110	22x58	4	OS125GF22FP	1SCA115614R1001	1	1.8

Mechanism at the end of the switch fuse

Protected tunnel terminals, IP20.

50	22/30/37	14x51	3	OS50GF03P	1SCA115492R1001	1	1.3
50	22/30/37	14x51	4	OS50GF04N1P	1SCA115495R1001	1	1.6
50	22/30/37	14x51	4	OS50GF04FP	1SCA115498R1001	1	1.6

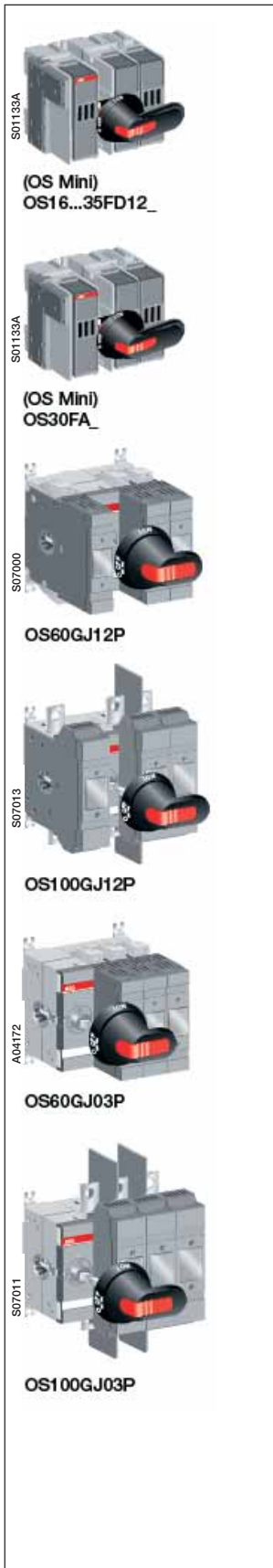
Terminal bolt kit

125	55/75/110	22x58	3	OS125GF03P	1SCA115602R1001	1	1.5
125	55/75/110	22x58	4	OS125GF04N1P	1SCA115888R1001	1	1.8
125	55/75/110	22x58	4	OS125GF04FP	1SCA115606R1001	1	1.8

Shafts and handles included as standard

Suitable for switches	Included shaft	Included handle	Included terminal bolts
OS25...32_	OXF6X150	OHB65J6	
OS50G_P	OXF6X161	OHB45J6	
OS125G_P	OXF6X161	OHB65J6	M8X25

F = Fused switched neutral
N1 = Non-fused switched neutral on the left side



Front operated switch fuses, Neozed -types

Including a black ON-OFF plastic handle and shaft as standard. The handle is IP65 protected, padlockable in the OFF-position and with door interlock in the ON-position. The shaft is adjustable for a range of installation depths.

Rated current AC-20...23 ≤ 690V [A]	Rated power AC-23 400/500/690V [kW]	Fuse size	Number of poles	Type	Order number	Units/ Weight type	
						[pcs]	[kg]

Mechanism between the poles
Protected tunnel terminals, IP20.

16	7.5/7.5/11	DO1 ¹⁾	3	OS16FD1201	1SCA108788R1001	1	0.7
16	7.5/7.5/11	DO1 ¹⁾	4	OS16FD2201N1	1SCA108789R1001	1	0.9
16	7.5/7.5/11	DO1 ¹⁾	4	OS16FD2201F	1SCA108993R1001	1	0.9
35	15/22/30	DO2 ¹⁾	3	OS35FD1202	1SCA108908R1001	1	0.7
35	15/22/30	DO2 ¹⁾	4	OS35FD2202N1	1SCA108911R1001	1	0.9
35	15/22/30	DO2 ¹⁾	4	OS35FD2202F	1SCA109008R1001	1	0.9

Front operated fusible disconnect switches, UL- and CSA-types

Including terminal bolt set (OS100G), a black ON-OFF plastic handle and shaft as standard. The handle is IP65, NEMA 1, 3R, 12 protected, padlockable in the OFF-position and with door interlock in the ON-position.

The shaft is adjustable for a range of installation depths. Fuse standard UL 198C.

Ampere rating [A]	Horse power ratings 3 phase 240/480/600V [HP]	Fuse type, size	Number of poles	Type	Order number	Units/ Weight type	
						[pcs]	[kg]

Mechanism between the poles

Protected tunnel terminals, IP20, cable size 0.5...10 mm², (AWG 18 - 8).

30	7.5/15/20	CC, 30A	3	OS30FACC12P	1SCA108817R1001	1	0.7
30	7.5/15/20	CC, 30A	4	OS30FACC22FP	1SCA108821R1001	1	0.9
30	7.5/15/20	J, 30A	3	OS30FAJ12P	1SCA108828R1001	1	0.7
30	7.5/15/20	J, 30A	4	OS30FAJ22FP	1SCA108831R1001	1	0.9

Protected tunnel terminals, IP20, cable size 2.5...25 mm (AWG 14 - 4).

60	15/30/50	J, 60A	3	OS60GJ12P	1SCA115449R1001	1	1.3
60	15/30/50	J, 60A	4	OS60GJ22N1P	1SCA116735R1001	1	1.6
60	15/30/50	J, 60A	4	OS60GJ22FP	1SCA115469R1001	1	1.6

Terminal bolt kit

100	30/60/75	J, 100A	3	OS100GJ12P	1SCA115666R1001	1	1.5
100	30/60/75	J, 100A	4	OS100GJ22N1P	1SCA115910R1001	1	1.8
100	30/60/75	J, 100A	4	OS100GJ22FP	1SCA114636R1001	1	1.8

Mechanism at the end of the switch fuse

Protected tunnel terminals, IP20, cable size 2.5...25 mm (AWG 14 - 4).

60	15/30/50	J, 60A	3	OS60GJ03P	1SCA115443R1001	1	1.3
60	15/30/50	J, 60A	4	OS60GJ04N1P	1SCA116736R1001	1	1.6
60	15/30/50	J, 60A	4	OS60GJ04FP	1SCA115446R1001	1	1.6

Terminal bolt kit

100	30/60/75	J, 100A	3	OS100GJ03P	1SCA114639R1001	1	1.5
100	30/60/75	J, 100A	4	OS100GJ04N1P	1SCA115909R1001	1	1.8
100	30/60/75	J, 100A	4	OS100GJ04FP	1SCA115439R1001	1	1.8

Shafts and handles included as standard

Suitable for switches	Included shaft	Included handle	Included terminal bolts
OS16...35FD_	OSP6X150	OHB65J6	
OS30FA_	OSP6X150	OHB65J6	
OS60G_P	OSP6X161	OHB45J6	
OS100G_P	OSP6X161	OHB65J6	M8X25

F = Fused switched neutral
N1 = Non-fused switched neutral on the left side

¹⁾ Use DO2 adapter rings.



Switch fuses, UL- and CSA-types

Ordering information

Front operated fusible disconnect switches

Including terminal bolt kit, a black ON-OFF plastic handle and shaft as standard. The handle is IP65, NEMA 1, 3R, 12 protected, padlockable in the OFF-position and with door interlock in the ON-position. The shaft is adjustable for a range of installation depths. Fuse standards UL 198C.

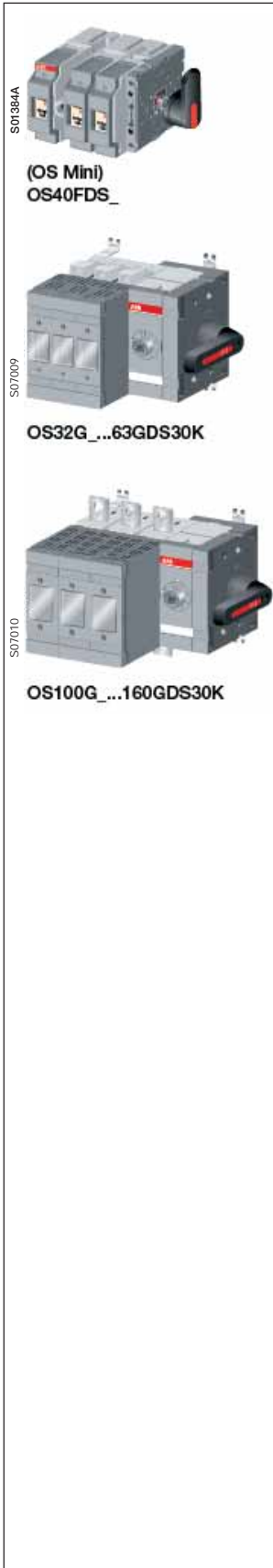
Ampere rating [A]	Horsepower rating, [HP] 240/480/600V	Number of poles	Type ¹⁾	Order number	Units/ type [pcs]	Weight [kg]
200	60/125/150	3	OS200J03P	1SCA022709R9760	1	3.3
400	125/250/350	3	OS400J03P	1SCA022719R1140	1	7.3
600	200/400/500	3	OS600J03P	1SCA022825R8870	1	13.5
800	250/500/500	3	OS800L03P	1SCA022825R9920	1	13.5
1200		3	OS1200L03P	1SCA105468R1001	1	46

Shafts and handles included as standard

Suitable for switches	Included shaft	Included handle	Included terminal bolts
OS200	OSP6X210	OHB65J6	M8X25
OS400	OSP12X250	OHB95J12	M10X30
OS600...800	OSP12X280	OHB145J12	M12X40
OS1200	OSP12X395	OHB200J12P	M12X50



¹⁾ The switch types suitable for fuses: L: Class L (HRC-L) 600 V fuses, J: Class J 600 V fuses. Information on CSA and UL approval on request.



Side operated switch fuses

Including terminal bolt kit (OS125G...160G), a black ON-OFF plastic handle and shaft as standard. The handle is IP65 protected, padlockable in the OFF-position and with door interlock in the ON-position. The shaft is adjustable for a range of installation depths.

Rated current AC-20...23 ≤ 690V [A]	Rated power AC-23 400/500/690V [kW]	Fuse size	Number of poles	Type	Order number	Units/ type	Weight
						[pcs]	[kg]
Shaft mounting depths measured from the left side of the switch, 3-pole: H=157...164 mm and 4-pole: H= 193...200 mm. Protected tunnel terminals, IP20.							
40	18.5/22/30	000	3	OS40FDS30000	1SCA108942R1001	1	0.9
40	18.5/22/30	000	3 ¹⁾	OS40FDS30000-N	1SCA109012R1001	1	0.9
40	18.5/22/30	000	4	OS40FDS40000N1	1SCA108954R1001	1	1.1

Side operated switch fuses without handle

Protected tunnel terminals, IP20.

32	15/18.5/22	000	3	OS32GDS30	1SCA115963R1001	1	1.3
32	15/18.5/22	000	4	OS32GDS40N2	1SCA116046R1001	1	1.6
32	15/18.5/22	000	4	OS32GDS40F	1SCA116755R1001	1	1.6
63	30/37/55	000	3	OS63GDS30	1SCA116007R1001	1	1.3
63	30/37/55	000	4	OS63GDS40N2	1SCA116047R1001	1	1.6
63	30/37/55	000	4	OS63GDS40F	1SCA116877R1001	1	1.6
Terminal bolt kit							
125	55/75/110	000, 00	3	OS125GDS30	1SCA115966R1001	1	1.5
125	55/75/110	000, 00	4	OS125GDS40N2	1SCA115967R1001	1	1.8
125	55/75/110	000, 00	4	OS125GDS40F	1SCA116756R1001	1	1.8
160	75/90/132	000, 00	3	OS160GDS30	1SCA115968R1001	1	1.5
160	75/90/132	000, 00	4	OS160GDS40N2	1SCA115969R1001	1	1.8
160	75/90/132	000, 00	4	OS160GDS40F	1SCA116757R1001	1	1.8

Side operated switch fuses with direct mounted handle

Including a black Test-ON-OFF plastic handle and shaft as standard. The handle is padlockable in the OFF-position.

Protected tunnel terminals, IP20.

32	15/18.5/22	000	3	OS32GDS30K	1SCA115929R1001	1	1.3
32	15/18.5/22	000	4	OS32GDS40N1K	1SCA115930R1001	1	1.6
32	15/18.5/22	000	4	OS32GDS40N2K	1SCA116402R1001	1	1.6
63	30/37/55	000	3	OS63GDS30K	1SCA115931R1001	1	1.3
63	30/37/55	000	4	OS63GDS40N1K	1SCA115932R1001	1	1.6
63	30/37/55	000	4	OS63GDS40N2K	1SCA116403R1001	1	1.6
Terminal bolt kit							
125	55/75/110	000, 00	3	OS125GDS30K	1SCA115933R1001	1	1.5
125	55/75/110	000, 00	4	OS125GDS40N2K	1SCA115934R1001	1	1.8
160	75/90/132	000, 00	3	OS160GDS30K	1SCA115935R1001	1	1.5
160	75/90/132	000, 00	4	OS160GDS40N2K	1SCA115939R1001	1	1.8

Shafts and handles included as standard

Suitable for switches	Included shaft	Included handle	Included terminal bolts
OS40FDS_	OXF6X70-V0	OHB65J6	
OS32G_S_K...63G_S_K	OXF6X42-TO	OHB65D6	
OS125G_S_K...160G_S_K	OXF6X42-TO	OHB65D6	M8X25

F = Fused switched neutral
N1 = Non-fused switched neutral on the left side
N2 = Non-fused switched neutral on the right side

¹⁾ Detachable neutral link



Switch fuses, DIN-types Ordering information



Side operated switch fuses without handle

Including terminal bolt kit. The handle and shaft have to be ordered separately.

Rated current AC-20...23 ≤ 690V [A]	Rated power AC-23 400/500/690V [kW]	Fuse size	Number of poles	Type	Order number	Units/	Weight
						type	
						[pcs]	[kg]
200	110/132/200	0	3	OS200DS03	1SCA022871R0720	1	3.5
200	110/132/200	0	3	OS200DS30	1SCA022871R1370	1	3.5
200	110/132/200	0	4	OS200DS04F	1SCA022871R0990	1	4.4
200	110/132/200	0	4	OS200DS40F	1SCA022871R1530	1	4.4
250	145/170/250	0-1	3	OS250DS03	1SCA022860R3050	1	4.5
250	145/170/250	0-1	3	OS250DS30	1SCA022871R2180	1	4.5
250	145/170/250	0-1	4	OS250DS04F	1SCA022860R3210	1	5.3
250	145/170/250	0-1	4	OS250DS40F	1SCA022871R2340	1	5.3
400	230/280/400	0-2	3	OS400DS03	1SCA022860R3480	1	7.3
400	230/280/400	0-2	3	OS400DS30	1SCA022871R2850	1	7.3
400	230/280/400	0-2	4	OS400DS04F	1SCA022860R3640	1	9.3
400	230/280/400	0-2	4	OS400DS40F	1SCA022871R3070	1	9.3
630	355/450/630	3	3	OS630DS03	1SCA108128R1001	1	13.9
630	355/450/630	3	3	OS630DS30	1SCA108135R1001	1	13.9
630	355/450/630	3	4	OS630DS04F	1SCA108131R1001	1	16.8
630	355/450/630	3	4	OS630DS40F	1SCA108137R1001	1	16.8
800	450/560/710	3	3	OS800DS03	1SCA108092R1001	1	13.9
800	450/560/710	3	3	OS800DS30	1SCA108098R1001	1	13.9
800	450/560/710	3	4	OS800DS04F	1SCA108094R1001	1	16.8
800	450/560/710	3	4	OS800DS40F	1SCA108100R1001	1	16.8

Side operated switch fuses with direct mounted handle

Including terminal bolt kit, a black Test-ON-OFF plastic handle and shaft as standard. The handle is padlockable in the OFF-position.

Rated current AC-20...23 ≤ 690V [A]	Rated power AC-23 400/500/690V [kW]	Fuse size	Number of poles	Type	Order number	Units/	Weight
						type	
						[pcs]	[kg]
200	110/132/200	0	3	OS200DS03K	1SCA022871R0810	1	3.6
200	110/132/200	0	3	OS200DS30K	1SCA022871R1450	1	3.6
200	110/132/200	0	4	OS200DS04FK	1SCA022871R1020	1	4.5
200	110/132/200	0	4	OS200DS40FK	1SCA022871R1610	1	4.5
250	145/170/250	0-1	3	OS250DS03K	1SCA022860R3130	1	4.6
250	145/170/250	0-1	3	OS250DS30K	1SCA022871R2260	1	4.6
250	145/170/250	0-1	4	OS250DS04FK	1SCA022860R3300	1	5.4
250	145/170/250	0-1	4	OS250DS40FK	1SCA022871R2420	1	5.4
400	230/280/400	0-2	3	OS400DS03K	1SCA022860R3560	1	7.5
400	230/280/400	0-2	3	OS400DS30K	1SCA022871R2930	1	7.5
400	230/280/400	0-2	4	OS400DS04FK	1SCA022860R3720	1	9.5
400	230/280/400	0-2	4	OS400DS40FK	1SCA022871R3150	1	9.5
630	355/450/630	3	3	OS630DS03K	1SCA108129R1001	1	14.1
630	355/450/630	3	3	OS630DS30K	1SCA108136R1001	1	14.1
630	355/450/630	3	4	OS630DS04FK	1SCA108132R1001	1	17
630	355/450/630	3	4	OS630DS40FK	1SCA108138R1001	1	17
800	450/560/710	3	3	OS800DS03K	1SCA108093R1001	1	14.1
800	450/560/710	3	3	OS800DS30K	1SCA108093R1001	1	14.1
800	450/560/710	3	4	OS800DS04FK	1SCA108095R1001	1	17
800	450/560/710	3	4	OS800DS40FK	1SCA108101R1001	1	17

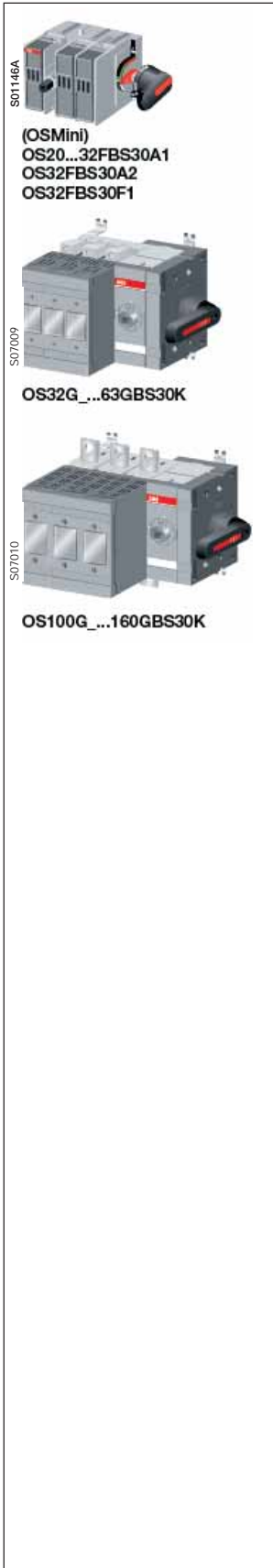
Shafts and handles included as standard (in -K types):

Suitable for switches	Included shaft	Included handle	Included terminal bolts
OS200	OXF6X42-TO	OHB65D6	M8x25
OS250	OXF6X42-TO	OHB65D6	M10x30
OS315...400	OXF12X47-TO	OHB95D12	M10x30
OS630...800	OXF12X59-TO	OHB145D12	M12x40

F = Fused switched neutral



Switch fuses, BS-types Ordering information



Side operated switch fuses

Including terminal bolt kit (OS100G...160G), a black ON-OFF plastic handle and shaft as standard. The handle is IP65 protected, padlockable in the OFF-position and with door interlock in the ON-position. The shaft is adjustable for a range of installation depths.

Rated current AC-20...23 ≤ 690V [A]	Rated power AC-23 415/500/690V [kW]	Fuse size	Number of poles	Type	Order number	Units/ Weight type	
						[pcs]	[kg]
Shaft mounting depths measured from the left side of the switch, 3-pole:H=154...166 mm and 4-pole: H= 189...201 mm. Protected tunnel terminals, IP20.							
20	7.5/11/15	A1	3	OS20FBS30A1	1SCA108997R1001	1	0.7
20	7.5/11/15	A1	4	OS20FBS40A1N1	1SCA108998R1001	1	0.9
32	15/18.5/22	A1	3	OS32FBS30A1	1SCA108877R1001	1	0.7
32	15/18.5/22	A1	4	OS32FBS40A1N1	1SCA109006R1001	1	0.9
32	15/18.5/22	A2	3	OS32FBS30A2	1SCA108882R1001	1	0.7
32	15/18.5/22	A2	4	OS32FBS40A2N1	1SCA109007R1001	1	0.9
32	15/18.5/22	F1	3	OS32FBS30F1	1SCA109004R1001	1	0.7
32	15/18.5/22	F1	4	OS32FBS40F1N1	1SCA109005R1001	1	0.9

Side operated switch fuses without handle

Protected tunnel terminals, IP20.

32	15/18.5/22	A2, A3	3	OS32GBS30	1SCA115955R1001	1	1.3
32	15/18.5/22	A2, A3	4	OS32GBS40N1	1SCA115956R1001	1	1.6
63	30/37/55	A2, A3	3	OS63GBS30	1SCA115957R1001	1	1.3
63	30/37/55	A2, A3	4	OS63GBS40N1	1SCA115978R1001	1	1.6
Terminal bolt kit							
100	55/55/90	A2, A3, A4 ¹⁾	3	OS100GBS30	1SCA116758R1001	1	1.5
100	55/55/90	A2, A3, A4 ¹⁾	4	OS100GBS40N1	1SCA116759R1001	1	1.8
100	55/55/90	A2, A3, A4 ¹⁾	4	OS100GBS40N2	1SCA116760R1001	1	1.8
125	55/75/110	A2, A3, A4 ¹⁾	3	OS125GBS30	1SCA116048R1001	1	1.5
125	55/75/110	A2, A3, A4 ¹⁾	4	OS125GBS40N1	1SCA115959R1001	1	1.8
125	55/75/110	A2, A3, A4 ¹⁾	4	OS125GBS40N2	1SCA116761R1001	1	1.8
160	75/90/132	A2, A3, A4 ¹⁾	3	OS160GBS30	1SCA115960R1001	1	1.5
160	75/90/132	A2, A3, A4 ¹⁾	4	OS160GBS40N1	1SCA115961R1001	1	1.8
160	75/90/132	A2, A3, A4 ¹⁾	4	OS160GBS40N2	1SCA116762R1001	1	1.8

Side operated switch fuses with direct mounted handle

Including a black Test-ON-OFF plastic handle and shaft as standard. The handle is padlockable in the OFF-position.

Protected tunnel terminals, IP20.

32	15/18.5/22	A2, A3	3	OS32GBS30K	1SCA115918R1001	1	1.3
32	15/18.5/22	A2, A3	4	OS32GBS40N1K	1SCA115923R1001	1	1.6
63	30/37/55	A2, A3	3	OS63GBS30K	1SCA115924R1001	1	1.3
63	30/37/55	A2, A3	4	OS63GBS40N1K	1SCA115979R1001	1	1.6
Terminal bolt kit							
125	55/75/110	A2, A3, A4 ¹⁾	3	OS125GBS30K	1SCA116400R1001	1	1.5
125	55/75/110	A2, A3, A4 ¹⁾	4	OS125GBS40N1K	1SCA115926R1001	1	1.8
160	75/90/132	A2, A3, A4 ¹⁾	3	OS160GBS30K	1SCA115927R1001	1	1.5
160	75/90/132	A2, A3, A4 ¹⁾	4	OS160GBS40N1K	1SCA115928R1001	1	1.8

Shafts and handles included as standard

Suitable for switches	Included shaft	Included handle	Included terminal bolts
OS20F_S...32F_S (OS Mini)	XP6X70-V0	OHB65J6	
OS32G_S_K...63G_S_K	XP6X42-TO	OHB65D6	
OS125G_S_K...160G_S_K	XP6X42-TO	OHB65D6	M8X25

N1 = Non-fused switched neutral on the left side
N2 = Non-fused switched neutral on the right side

¹⁾ Max. diameter 32 mm



Switch fuses, BS-types Ordering information

Side operated switch fuses without handle

Including terminal bolt kit. The handle and shaft have to be ordered separately.

Rated current AC-20...23 ≤ 690V [A]	Rated power AC-23 415/500/690V [kW]	Fuse size	Number of poles	Type	Order number	Units/ Weight type	
						[pcs]	[kg]
200	110/132/200	B1-B2	3	OS200BS03	1SCA022860R3810	1	3.5
200	110/132/200	B1-B2	3	OS200BS30	1SCA022870R7770	1	3.5
200	110/132/200	B1-B2	4	OS200BS04N2	1SCA022870R7510	1	4.4
200	110/132/200	B1-B2	4	OS200BS40N2	1SCA022870R8150	1	4.4
250	145/170/250	B1-B3	3	OS250BS03	1SCA022860R4370	1	4.5
250	145/170/250	B1-B3	3	OS250BS30	1SCA022870R8580	1	4.5
250	145/170/250	B1-B3	4	OS250BS04N2	1SCA022870R8310	1	5.3
250	145/170/250	B1-B3	4	OS250BS40N2	1SCA022870R8910	1	5.3
315	180/220/315	B1-B4	3	OS315BS03	1SCA022860R4700	1	7.3
315	180/220/315	B1-B4	3	OS315BS30	1SCA022870R9390	1	7.3
315	180/220/315	B1-B4	4	OS315BS04N2	1SCA022870R9120	1	9.3
315	180/220/315	B1-B4	4	OS315BS40N2	1SCA022870R9710	1	9.3
400	230/280/400	B1-B4	3	OS400BS03	1SCA022860R5180	1	7.3
400	230/280/400	B1-B4	3	OS400BS30	1SCA022871R0130	1	7.3
400	230/280/400	B1-B4	4	OS400BS04N2	1SCA022870R9980	1	9.3
400	230/280/400	B1-B4	4	OS400BS40N2	1SCA022871R0560	1	9.3
630	355/450/630	C1-C2	3	OS630BS03	1SCA108141R1001	1	13.9
630	355/450/630	C1-C2	3	OS630BS30	1SCA108147R1001	1	13.9
630	355/450/630	C1-C2	4	OS630BS04N2	1SCA108145R1001	1	16.8
630	355/450/630	C1-C2	4	OS630BS40N2	1SCA108152R1001	1	16.8
800	450/560/710	C1-C3	3	OS800BS03	1SCA108076R1001	1	13.9
800	450/560/710	C1-C3	3	OS800BS30	1SCA108083R1001	1	13.9
800	450/560/710	C1-C3	4	OS800BS04N2	1SCA108081R1001	1	16.8
800	450/560/710	C1-C3	4	OS800BS40N2	1SCA108086R1001	1	16.8

Side operated switch fuses with direct mounted handle

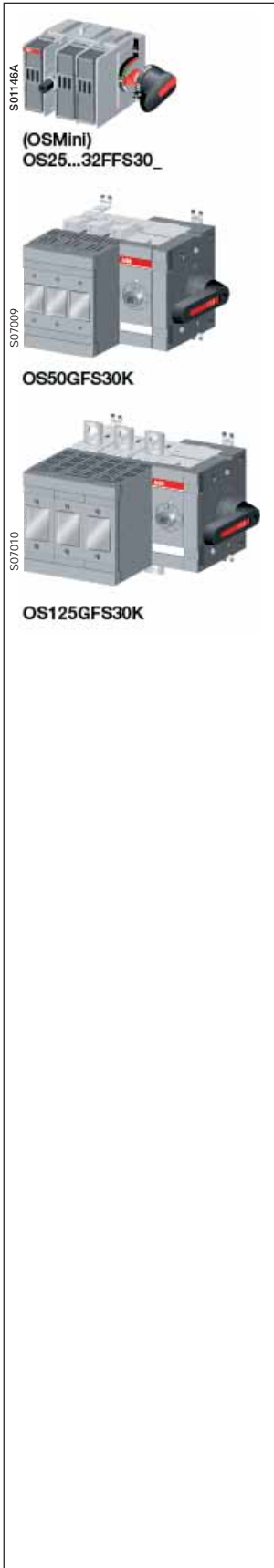
Including terminal bolt kit, a black Test-ON-OFF plastic handle and shaft as standard. The handle is padlockable in the OFF-position.

Rated current AC-20...23 ≤ 690V [A]	Rated power AC-23 415/500/690V [kW]	Fuse size	Number of poles	Type	Order number	Units/ Weight type	
						[pcs]	[kg]
200	110/132/200	B1-B2	3	OS200BS03K	1SCA022860R3990	1	3.6
200	110/132/200	B1-B2	3	OS200BS30K	1SCA022870R7850	1	3.6
200	110/132/200	B1-B2	4	OS200BS04N2K	1SCA022870R7690	1	4.5
200	110/132/200	B1-B2	4	OS200BS40N2K	1SCA022870R8230	1	4.5
250	145/170/250	B1-B3	3	OS250BS03K	1SCA022860R4450	1	4.6
250	145/170/250	B1-B3	3	OS250BS30K	1SCA022870R8660	1	4.6
250	145/170/250	B1-B3	4	OS250BS04N2K	1SCA022870R8400	1	5.4
250	145/170/250	B1-B3	4	OS250BS40N2K	1SCA022870R9040	1	5.4
315	180/220/315	B1-B4	3	OS315BS03K	1SCA022860R4880	1	7.5
315	180/220/315	B1-B4	3	OS315BS30K	1SCA022870R9470	1	7.5
315	180/220/315	B1-B4	4	OS315BS04N2K	1SCA022870R9210	1	9.5
315	180/220/315	B1-B4	4	OS315BS40N2K	1SCA022870R9800	1	9.5
400	230/280/400	B1-B4	3	OS400BS03K	1SCA022860R5260	1	7.5
400	230/280/400	B1-B4	3	OS400BS30K	1SCA022871R0210	1	7.5
400	230/280/400	B1-B4	4	OS400BS04N2K	1SCA022871R0050	1	9.5
400	230/280/400	B1-B4	4	OS400BS40N2K	1SCA022871R0640	1	9.5
630	355/450/630	C1-C2	3	OS630BS03K	1SCA108142R1001	1	14.1
630	355/450/630	C1-C2	3	OS630BS30K	1SCA108148R1001	1	14.1
630	355/450/630	C1-C2	4	OS630BS04N2K	1SCA108146R1001	1	17
630	355/450/630	C1-C2	4	OS630BS40N2K	1SCA108151R1001	1	17
800	450/560/710	C1-C3	3	OS800BS03K	1SCA108077R1001	1	14.1
800	450/560/710	C1-C3	3	OS800BS30K	1SCA108084R1001	1	14.1
800	450/560/710	C1-C3	4	OS800BS04N2K	1SCA108082R1001	1	17
800	450/560/710	C1-C3	4	OS800BS40N2K	1SCA108087R1001	1	17

Shafts and handles included as standard (in -K types):

Suitable for switches	Included shaft	Included handle	Included terminal bolts
OS200	OXp6X42-TO	OHB65D6	M8x25
OS250	OXp6X42-TO	OHB65D6	M10x30
OS315...400	OXp12X47-TO	OHB95D12	M10x30
OS630...800	OXp12X59-TO	OHB145D12	M12x40

N2 = Non-fused switched neutral on the right side



Side operated switch fuses

Including terminal bolt kit (OS125G), a black ON-OFF plastic handle and shaft as standard. The handle is IP65 protected, Nema type 1, 3R, 12, padlockable in the OFF-position and with door interlock in the ON-position. The shaft is adjustable for a range of installation depths.

Rated current AC-20...23 ≤ 690V [A]	Rated power AC-23 400/500/690V [kW]	Fuse size	Number of poles	Type	Order number	Units/ type [pcs]	Weight [kg]
Shaft mounting depths measured from the left side of the switch, 3-pole: H=154...166 mm and 4 pole: H=189...201 mm. Protected tunnel terminals, IP20.							
25	11/15/22	10x38	3	OS25FFS3010	1SCA108639R1001	1	0.7
25	11/15/22	10x38	4	OS25FFS4010N1	1SCA108661R1001	1	0.9
25	11/15/22	10x38	4	OS25FFS4010F	1SCA108640R1001	1	0.9
32	15/18.5/22	14x51	3	OS32FFS3014	1SCA108646R1001	1	0.7
32	15/18.5/22	14x51	4	OS32FFS4014N1	1SCA108649R1001	1	0.9
32	15/18.5/22	14x51	4	OS32FFS4014F	1SCA108647R1001	1	0.9

Side operated switch fuses without handle

Protected tunnel terminals, IP20.

50	22/30/37	14x51	3	OS50GFS30	1SCA116050R1001	1	1.3
50	22/30/37	14x51	4	OS50GFS40N1	1SCA116058R1001	1	1.6
50	22/30/37	14x51	4	OS50GFS40F	1SCA116014R1001	1	1.6
Terminal bolt kit							
125	55/75/110	22x58	3	OS125GFS30	1SCA115973R1001	1	1.5
125	55/75/110	22x58	4	OS125GFS40N1	1SCA115974R1001	1	1.8
125	55/75/110	22x58	4	OS125GFS40F	1SCA115975R1001	1	1.8

Side operated switch fuses with direct mounted handle

Including a black Test-ON-OFF plastic handle and shaft as standard. The handle is padlockable in the OFF-position.

Protected tunnel terminals, IP20.

50	22/30/37	14x51	3	OS50GFS30K	1SCA116404R1001	1	1.3
50	22/30/37	14x51	4	OS50GFS40N1K	1SCA116013R1001	1	1.6
50	22/30/37	14x51	4	OS50GFS40FK	1SCA116425R1001	1	1.6
Terminal bolt kit							
125	55/75/110	22x58	3	OS125GFS30K	1SCA115944R1001	1	1.5
125	55/75/110	22x58	4	OS125GFS40N1K	1SCA115945R1001	1	1.8
125	55/75/110	22x58	4	OS125GFS40FK	1SCA115946R1001	1	1.8

Shafts and handles included as standard

Suitable for switches	Included shaft	Included handle	Included terminal bolts
OS25F_S...32F_S (OS Mini)	OSP6X70-V0	OHB65J6	
OS50GFS_K	OSP6X42-TO	OHB65D6	
OS125GFS_K	OSP6X42-TO	OHB65D6	M8X25

F = Fused switched neutral
N1 = Non-fused switched neutral on the left side



Side operated switch fuses, Neozed-types

Including a handle and shaft as standard. The handle is IP65 protected, padlockable in the OFF-position and with door interlock in the ON-position. The shaft is adjustable for a range of installation depths.

Rated current AC-20...23 ≤ 690V [A]	Rated power AC-23 400/500/690V [kW]	Fuse size	Number of poles	Type	Order number	Units/ type [pcs]	Weight [kg]
16	7.5/7.5/11	DO 1 ¹⁾	3	OS16FDS3001	1SCA108994R1001	1	0.7
16	7.5/7.5/11	DO 1 ¹⁾	4	OS16FDS4001N1	1SCA108995R1001	1	0.9
16	7.5/7.5/11	DO 1 ¹⁾	4	OS16FDS4001F	1SCA108996R1001	1	0.9
35	15/22/30	DO 2	3	OS35FDS3002	1SCA109009R1001	1	0.7
35	15/22/30	DO 2	4	OS35FDS4002N1	1SCA109010R1001	1	0.9
35	15/22/30	DO 2	4	OS35FDS4002F	1SCA109011R1001	1	0.9

Shaft mounting depths measured from the left side of the switch, 3-pole: H=154...166 mm and 4-pole: H=189...201 mm. Protected tunnel terminals, IP20.

Side operated fusible disconnect switches, UL- and CSA-types

Including terminal bolt set (OS100G), a black ON-OFF plastic handle and shaft as standard. The handle is IP65 protected, Nema type 1, 3R, 12, padlockable in the OFF-position and with door interlock in the ON-position. The shaft is adjustable for a range of installation depths. Fuse standards UL 198C.

Ampere rating [A]	Horse power ratings 3 phase 240/480/600V [HP]	Fuse type, size	Number of poles	Type	Order number	Units/ type [pcs]	Weight [kg]
30	7.5/15/20	CC, 30A3	3	OS30FACCS30P	1SCA108999R1001	1	0.7
30	7.5/15/20	J, 30A	3	OS30FAJS30P	1SCA108838R1001	1	0.7

Shaft mounting depths measured from the left side of the switch, 3-pole: H=154...166 mm and 4-pole: H= 189...201 mm. Protected tunnel terminals, IP20.

Side operated switch fuses without handle, UL- and CSA-types

Protected tunnel terminals, IP20.

60	15/30/50	J, 60A	3	OS60GJS30	1SCA116051R1001	1	1.3
60	15/30/50	J, 60A	4	OS60GJS40N1	1SCA116763R1001	1	1.6
60	15/30/50	J, 60A	4	OS60GJS40F	1SCA115970R1001	1	1.6
Terminal bolt kit							
100	30/60/75	J, 100A	3	OS100GJS30	1SCA115971R1001	1	1.5
100	30/60/75	J, 100A	4	OS100GJS40N1	1SCA116764R1001	1	1.8
100	30/60/75	J, 100A	4	OS100GJS40N2	1SCA116765R1001	1	1.8
100	30/60/75	J, 100A	4	OS100GJS40F	1SCA115972R1001	1	1.8

Side operated switch fuses with direct mounted handle

Including a black Test-ON-OFF plastic handle and shaft as standard. The handle is padlockable in the OFF-position.

Protected tunnel terminals, IP20.

60	15/30/50	J, 60A	3	OS60GJS30K	1SCA116426R1001	1	1.3
60	15/30/50	J, 60A	4	OS60GJS40FK	1SCA115941R1001	1	1.6
Terminal bolt kit							
100	30/60/75	J, 100A	3	OS100GJS30K	1SCA115942R1001	1	1.5
100	30/60/75	J, 100A	4	OS100GJS40FK	1SCA115943R1001	1	1.8

Shafts and handles included as standard

Suitable for switches	Included shaft	Included handle	Included terminal bolts
OS16...35FD_ , OS30FA_	OXp6X70-V0	OHB65J6	
OS60GJS_K	OXp6X42-TO	OHB65D6	
OS100GJS_K	OXp6X42-TO	OHB65D6	M8X25

F = Fused switched neutral
 N1 = Non-fused switched neutral on the left side
 N2 = Non-fused switched neutral on the right side

¹⁾ Use Neozed DO2 adaptor ring

**OS16...
OS40
(OS Mini)**

- 1 Switch fuse
- 2 Extended shaft
- 3 Mounting frame for auxiliary contact
- 4 Auxiliary contact
- 5 Fuse monitor
- 6 Neutral link
- 7 Handle knob
- 8 Pistol type handle
- 9 Blown fuse indicator

**OS32G...
OS63G**

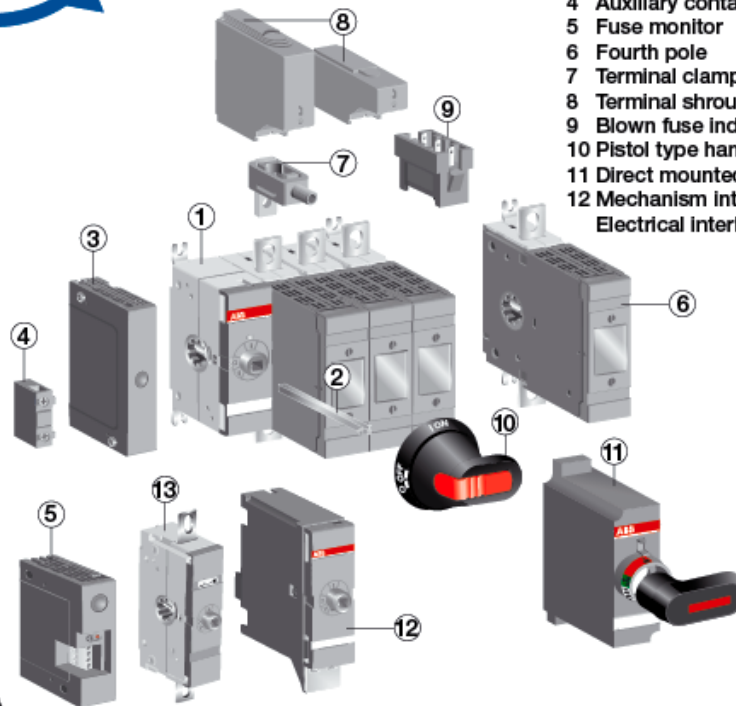
- 1 Switch fuse
- 2 Extended shaft
- 3 Module for auxiliary contacts
- 4 Auxiliary contact
- 5 Fuse monitor
- 6 Blown fuse indicator
- 7 Pistol type handle
- 8 Direct mounted handle
- 9 Mechanism interlock kit & Electrical interlock

502090A



Switch fuses OS 100...1250 Accessories, selection overview

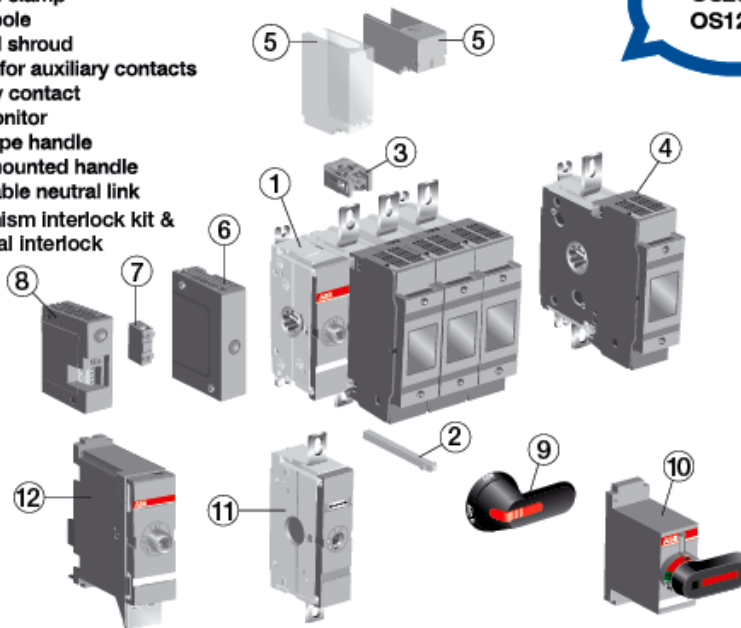
OS100G...
OS160G



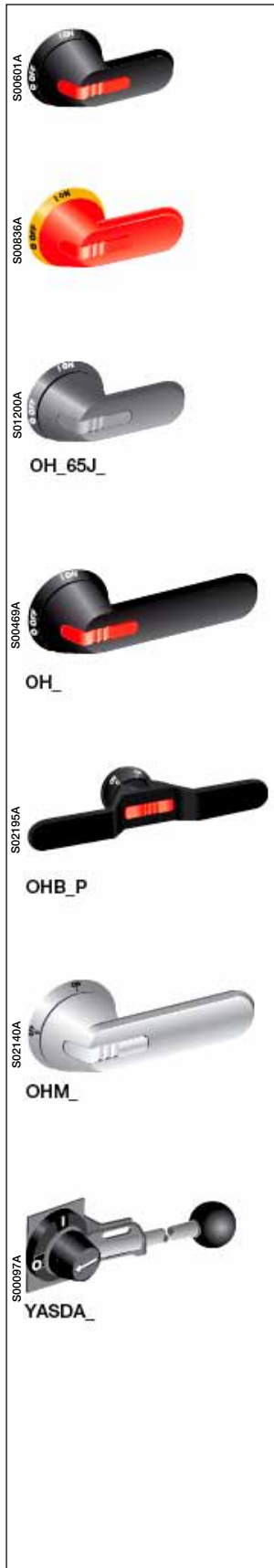
- 1 Switch fuse
- 2 Extended shaft
- 3 Module for auxiliary contacts
- 4 Auxiliary contact
- 5 Fuse monitor
- 6 Fourth pole
- 7 Terminal clamp
- 8 Terminal shroud
- 9 Blown fuse indicator
- 10 Pistol type handle
- 11 Direct mounted handle
- 12 Mechanism interlock kit & Electrical interlock

- 1 Switch fuse
- 2 Extended shaft
- 3 Terminal clamp
- 4 Fourth pole
- 5 Terminal shroud
- 6 Module for auxiliary contacts
- 7 Auxiliary contact
- 8 Fuse monitor
- 9 Pistol type handle
- 10 Direct mounted handle
- 11 Detachable neutral link
- 12 Mechanism interlock kit & Electrical interlock

OS200...
OS1250



S02100A



Optional handles, IP 65, Nema type 1, 3R, 12

For front operated switch fuses

Padlockable with 3 padlocks in the OFF-position, door interlock in the ON-position. Units/type = 1 pcs. Screw fixing from the back side of the handle, no screws on the front, ensures double protection.

Colour	Handle length [mm]	Type	Order number	Delivery batch [pcs]	Weight /unit [kg]
--------	--------------------	------	--------------	----------------------	-------------------

For shaft diameter 6 mm (for OSMini...250).

Plastic handles, black and red-yellow: I-O/ON-OFF, grey: I-O.

Black	45	OHB45J6	1SCA022380R8770	100	0.12
Red-Yellow	45	OHY45J6	1SCA022380R8930	100	0.12
Grey	45	OHG45J6	1SCA022380R8850	100	0.12
Black	65	OHB65J6	1SCA022380R9660	100	0.12
Red-Yellow	65	OHY65J6	1SCA022380R9820	100	0.12
Grey	65	OHG65J6	1SCA022380R9740	100	0.12

Plastic handles, black and red-yellow: Test/I-O/ON-OFF, grey: Test/I-O.

Black	45	OHB45J6T	1SCA109870R1001	100	0.12
Black	65	OHB65J6T	1SCA022399R8110	100	0.12
Red-Yellow	65	OHY65J6T	1SCA022456R9540	100	0.12
Grey	65	OHG65J6T	1SCA022456R9620	100	0.12

Stainless steel handles: I-O/ON-OFF, padlockable with 3 padlocks in the OFF-position, door interlock in the ON-position, IP66 (NEMA 4X)

Metallic	65	OHM65L6	1SCA022739R1070	1	0.73
----------	----	---------	-----------------	---	------

For shaft diameter 12 mm (for OS315...400) Plastic handles, black and red-yellow: I-O/ON-OFF, grey: I-O.

Black	95	OHB95J12	1SCA022381R0830	90	0.16
Red-Yellow	95	OHY95J12	1SCA022381R1050	90	0.16
Grey	95	OHG95J12	1SCA022381R0910	90	0.16

Indication: Test-OFF-ON/Test-O-I

Black	95	OHB95J12T	1SCA022736R1750	90	0.16
Red-Yellow	95	OHY95J12T	1SCA022736R1910	90	0.16

For shaft diameter 12 mm (for OS630...800). Plastic handles, black and red-yellow: I-O/ON-OFF, grey: I-O.

Black	125	OHB125J12	1SCA022381R1560	90	0.16
Red-Yellow	125	OHY125J12	1SCA022381R1720	90	0.16
Grey	125	OHG125J12	1SCA022381R1640	90	0.16

Black	145	OHB145J12	1SCA022381R2110	90	0.17
Red-Yellow	145	OHY145J12	1SCA022381R2370	90	0.17
Grey	145	OHG145J12	1SCA022381R2290	90	0.17

Black	175	OHB175J12	1SCA022381R2450	90	0.18
Red-Yellow	175	OHY175J12	1SCA022381R2700	90	0.18
Grey	175	OHG175J12	1SCA022381R2610	90	0.18

Indication: Test-OFF-ON/Test-O-I

Black	125	OHB125J12T	1SCA022652R2220	90	0.16
Red-Yellow	125	OHY125J12T	1SCA022652R2310	90	0.16

Black	145	OHB145J12T	1SCA022652R2570	90	0.17
Red-Yellow	145	OHY145J12T	1SCA022652R2650	90	0.17

Black	175	OHB175J12T	1SCA022708R0740	90	0.18
-------	-----	------------	-----------------	----	------

For shaft diameter 12 mm (for OS1200...1250). Plastic handles, black and red-yellow: I-O/ON-OFF.

Black	2x150	OHB150J12P	1SCA022865R9430	50	0.17
Red-Yellow	2x150	OHY150J12P	1SCA101586R1001	50	0.17

Black	2x200	OHB200J12P	1SCA022865R9510	50	0.40
Red-Yellow	2x200	OHY200J12P	1SCA101587R1001	50	0.40

Indication: Test-OFF-ON/Test-O-I

Black	2x200	OHB200J12PT	1SCA106510R1001	50	0.40
Red-Yellow	2x200	OHY200J12PT	1SCA111512R1001	50	0.40

Stainless steel handles: I-O/ON-OFF, padlockable with 3 padlocks in the OFF-position, door interlock in the ON-position, IP66 (NEMA 4X)

Metallic	125	OHM125L12	1SCA022739R1150	1	0.76
Metallic	175	OHM175L12	1SCA022739R1230	1	0.83
Metallic	275	OHM275L12	1SCA022832R4840	1	0.96

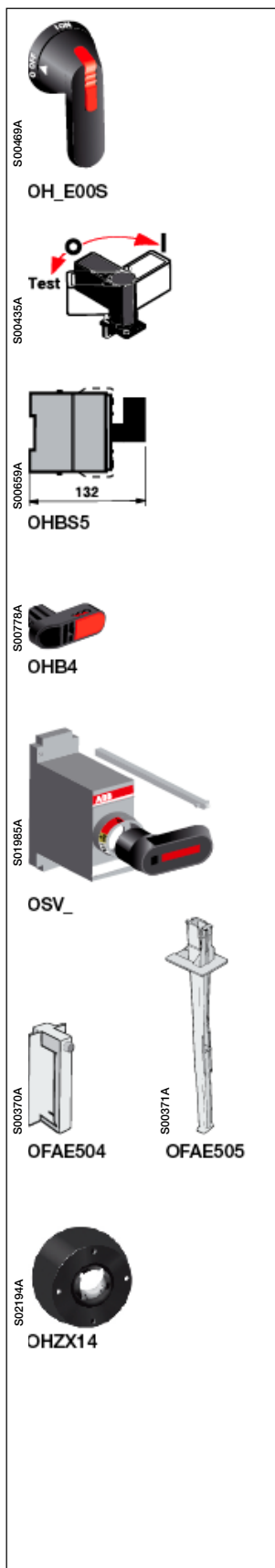
Metallic handles, padlockable with 3 padlocks in OFF-position, door interlock in the ON-position.

Black I-O	220	YASDA 7	1SCA022071R3010	1	0.70
Black ON-OFF	220	YASDA 8	1SCA022071R3270	1	0.70
Black I-O	320	YASDA35	1SCA104400R1001	1	0.80

- Door interlocking in the ON-position means that the door cannot be opened, when the handle is in the ON-position. This can be defeated to allow authorized personnel access for inspection.
- Handles padlockable in all positions are available on request.



Optional handles Ordering information



Optional handles

For side operated switch fuses, IP 65, Nema type 1, 3R, 12

For mounting on the side of the enclosure. Padlockable with three padlocks in the OFF-position, door interlock in the ON-position, IP 65. The position indications are rotated 90°. If the handle is mounted on the front of the door, a standard handle can be used as well.

Colour	Handle length [mm]	Type	Order number	Units/ type [pcs]	Weight [kg]
--------	--------------------	------	--------------	-------------------	-------------

For shaft diameter 6 mm

Plastic handles, black and red-yellow: I-O/ON-OFF, grey: I-O.

Black	65	OHB65J6E00S	1SCA022382R9850	1	0.12
Red-yellow	65	OHY65J6E00S	1SCA022382R9930	1	0.12
Grey	65	OHG65J6E00S	1SCA022383R4510	1	0.12

Plastic handles, black and red-yellow: Test/I-O/ON-OFF, grey: Test/I-O.

Black	65	OHB65J6TE00S	1SCA109016R1001	1	0.12
Red-yellow	65	OHY65J6TE00S	1SCA022688R0140	1	0.12
Grey	65	OHG65J6TE00S	1SCA109014R1001	1	0.12

For shaft diameter 12 mm

Plastic handles, indication I-O/ON-OFF

Black	145	OHB145J12E00S	1SCA022679R9700	1	0.17
-------	-----	---------------	-----------------	---	------

Direct mounted handles

Plastic handles, panel board handle, can be padlocked in the OFF-position. Includes a special shaft. The handle can also be used with a standard shaft as padlocking device.

For front operated OS Mini

Indication I-O/ON-OFF/TEST. Handle padlockable with 2 padlocks in the OFF- and Test-positions when the door is open. Max. bail dia 8 mm.

Black	OHB55	1SCA109015R1001	1	0.05
-------	-------	-----------------	---	------

For side operated OS Mini

Padlockable with three padlocks in the OFF- position when the door is open. Max. bail dia 6 mm.

Black	OHB4	1SCA022439R4050	1	0.05
-------	------	-----------------	---	------

For front operated OS 32G...1250

Test OFF-ON/Test O-I indication

Padlockable with three padlocks in the OFF-position, optionally also in the ON-position. Includes shaft and mechanism cover.

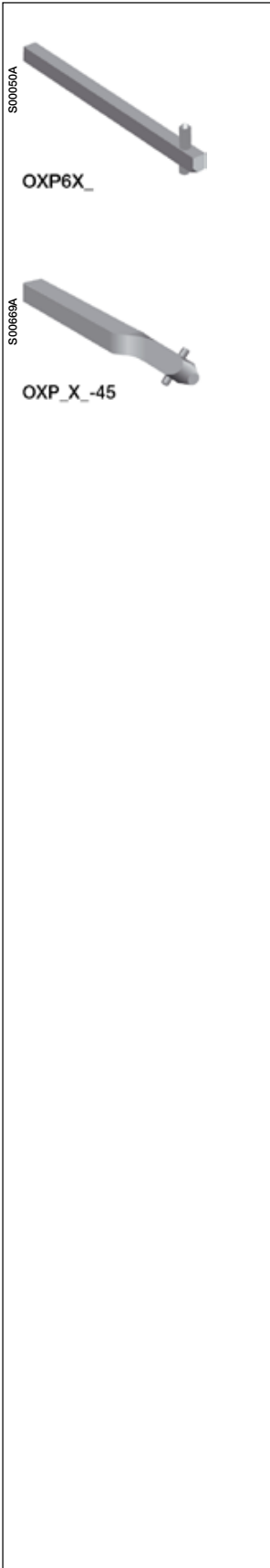
Suitable for switches	Colour	Type	Order number	Units/ type [pcs]	Weight [kg]
OS32G...160G,	Black	OSV200BK	1SCA022779R7530	1	0.14
OS200B/J_K	Yellow-red	OSVY200BK	1SCA022779R7700	1	0.14
OS200D...250D/B_K	Black	OSV250DK	1SCA022763R3510	1	0.16
	Yellow-red	OSVY250DK	1SCA022778R6500	1	0.16
OS400D_K	Black	OSV400DK	1SCA022763R4230	1	0.34
	Yellow-red	OSVY400DK	1SCA022779R5590	1	0.34
OS315...400B/J_K	Black	OSV400BK	1SCA022763R3930	1	0.33
	Yellow-red	OSVY400BK	1SCA022779R5830	1	0.33
OS600...800_K	Black	OSV800DK	1SCA107794R1001	1	1.1
	Yellow-red	OSVY800DK	1SCA108703R1001	1	1.1
OS1200...OS1250_K	Black	OSV1250DK	1SCA107797R1001	1	1.5
	Yellow-red	OSVY1250DK	1SCA108702R1001	1	1.5

Fuse replacement handles

For DIN-fuse sizes	Description	Type	Order number	Units/ type [pcs]	Weight [kg]
000,00,1,2,3	Compact	OFAE 504	1SCA022007R6880	1	0.16
000,00,1,2,3	690 V	OFAE 505	2CMA125276R1000	1	0.80

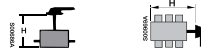
Extension ring for pistol type handles

Colour	Suitable for handles	Type	Order number	Delivery batch [pcs]	Weight unit [kg]
Black	OHB_	OHZX14	1SCA022851R6590	1	0.06



Extended shafts

Units/type = 1 piece



Shaft length (mm)	Front operated H / mm	Side operated H / mm	Type	Order number	Delivery batch [pcs]	Weight /unit [kg]
For OS 16...35 (Mini) ²⁾, shaft diameter 6 mm						
150	135...210	154...166	OXp6X150 ³⁾	1SCA022295R5600	10	0.05
170	155...230	174...186	OXp6X170	1SCA108224R1001	10	0.05
265	250...325	269...281	OXp6X265	1SCA108225R1001	10	0.08
400	385...460	404...416	OXp6X400	1SCA108226R1001	10	0.12
150	135...210	154...166	OXp6X150-45 ¹⁾	1SCA022294R4400	10	0.05
170	155...230	174...186	OXp6X170-45 ¹⁾	1SCA108227R1001	10	0.05
265	380...460	269...281	OXp6X265-45 ¹⁾	1SCA108228R1001	10	0.08
400	380...460	404...416	OXp6X400-45 ¹⁾	1SCA108229R1001	10	0.12
For OS 40 (Mini) ²⁾, shaft diameter 6 mm						
150	135...210	235...243	OXp6X150 ³⁾	1SCA022295R5600	10	0.05
170	155...230	255...363	OXp6X170	1SCA108224R1001	10	0.05
265	250...325	352...360	OXp6X265	1SCA108225R1001	10	0.08
400	385...460	487...495	OXp6X400	1SCA108226R1001	10	0.12
150	135...210	235...243	OXp6X150-45 ¹⁾	1SCA022294R4400	10	0.05
170	155...230	255...363	OXp6X170-45 ¹⁾	1SCA108227R1001	10	0.05
265	250...325	352...360	OXp6X265-45 ¹⁾	1SCA108228R1001	10	0.08
400	385...460	487...495	OXp6X400-45 ¹⁾	1SCA108229R1001	10	0.12
For OS 32G...63G ⁴⁾, shaft diameter 6 mm						
63		161...167	OXp6X63	1SCA111010R1001	10	0.02
90		188...194	OXp6X90	1SCA022064R1180	10	0.03
130	127...174 ⁶⁾	228...234	OXp6X130	1SCA022057R0570	10	0.04
161	138...205		OXp6X161 ³⁾	1SCA022067R1760	10	0.05
210	187...254		OXp6X210	1SCA022295R6080	10	0.06
290	267...334		OXp6X290	1SCA022042R6370	10	0.08
360	337...404		OXp6X360	1SCA022042R6530	10	0.10
430	407...474		OXp6X430	1SCA022056R6030	10	0.12
210	187...254		OXp6X210-45 ¹⁾	1SCA022294R4230	10	0.06
290	267...334		OXp6X290-45 ¹⁾	1SCA022304R4290	10	0.08
360	337...404		OXp6X360-45 ¹⁾	1SCA022341R4640	10	0.10
For OS100G...160G ⁶⁾, shaft diameter 6 mm						
63		196...202	OXp6X63	1SCA111010R1001	10	0.02
90		223...229	OXp6X90	1SCA022064R1180	10	0.03
130	137...174 ⁷⁾	263...269	OXp6X130	1SCA022057R0570	10	0.04
161	138...205		OXp6X161 ³⁾	1SCA022067R1760	10	0.05
210	187...254		OXp6X210	1SCA022295R6080	10	0.06
290	267...334		OXp6X290	1SCA022042R6370	10	0.08
360	337...404		OXp6X360	1SCA022042R6530	10	0.10
430	407...474		OXp6X430	1SCA022056R6030	10	0.12
210	187...254		OXp6X210-45 ¹⁾	1SCA022294R4230	10	0.06
290	267...334		OXp6X290-45 ¹⁾	1SCA022304R4290	10	0.08
360	337...404		OXp6X360-45 ¹⁾	1SCA022341R4640	10	0.10
For OS 200...250 DIN-type, shaft diameter 6 mm						
161	160...205		OXp6X161	1SCA022067R1760	10	0.05
210	189...254		OXp6X210 ³⁾	1SCA022295R6080	10	0.06
290	269...334		OXp6X290	1SCA022042R6370	10	0.08
For OS 200...250 BS-type, shaft diameter 6 mm						
161	140...205		OXp6X161	1SCA022067R1760	10	0.05
210	189...254		OXp6X210 ³⁾	1SCA022295R6080	10	0.06
290	269...334		OXp6X290	1SCA022042R6370	10	0.08

¹⁾ The shaft position is rotated 45 degrees

²⁾ Side operated, 4-pole: add 36 mm

³⁾ Included as standard in P-types

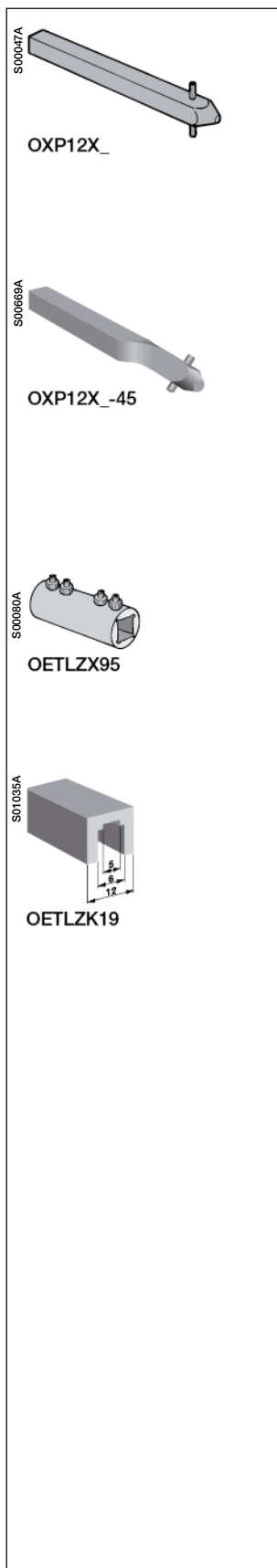
⁴⁾ Side operated 3-pole OS60GJ: add 33mm, 4-pole types: OS32...63GD/GB: add 23.5 mm, OS60GJ: add 68mm

⁵⁾ Included as standard in front operated types

⁶⁾ OS32...63GB/GF: 115...174

⁷⁾ OS100GJ: 113...174, OS100GB...160GB: 121...174

⁸⁾ Side operated 4-pole types: add 35mm



Extended shafts



Shaft length (mm)	Front operated H / mm	Type	Order number	Units/ type [pcs]	Weight [kg]
-------------------	-----------------------	------	--------------	-------------------	-------------

For OS 315...400, shaft diameter 12 mm

250	230...325	OXP12X250 ²⁾	1SCA022325R6980	1	0.30
280	260...355	OXP12X280	1SCA022137R5140	1	0.30
325	305...400	OXP12X325	1SCA022042R5810	1	0.36
395	375...470	OXP12X395	1SCA022042R5990	1	0.43
465	445...540	OXP12X465	1SCA022042R6020	1	0.51
535	515...610	OXP12X535	1SCA022042R6110	1	0.59

For OS 630...800, shaft diameter 12 mm

280	258...382	OXP12X280 ²⁾	1SCA022137R5140	1	0.30
325	303...427	OXP12X325	1SCA022042R5810	1	0.40
395	373...497	OXP12X395	1SCA022042R5990	1	0.50
465	443...567	OXP12X465	1SCA022042R6020	1	0.60
535	513...637	OXP12X535	1SCA022042R6110	1	0.70
280	258...382	OXP12X280-45 ¹⁾	1SCA022382R0800	1	0.30
325	303...427	OXP12X325-45 ¹⁾	1SCA022304R4450	1	0.40

For OS 1200...1250, shaft diameter 12 mm

395	371...500	OXP12X395	1SCA022042R5990	1	0.43
465	441...570	OXP12X465	1SCA022042R6020	1	0.51
535	511...640	OXP12X535	1SCA022042R6110	1	0.59

Shaft extension socket

For extending the shaft of combination attachment.

Suitable for shaft with diameter [mm]	Type	Order number	Units/ type [pcs]	Weight [kg]
12	OETLZX95	1SCA022083R5620	1	0.04

Adapters for extension socket

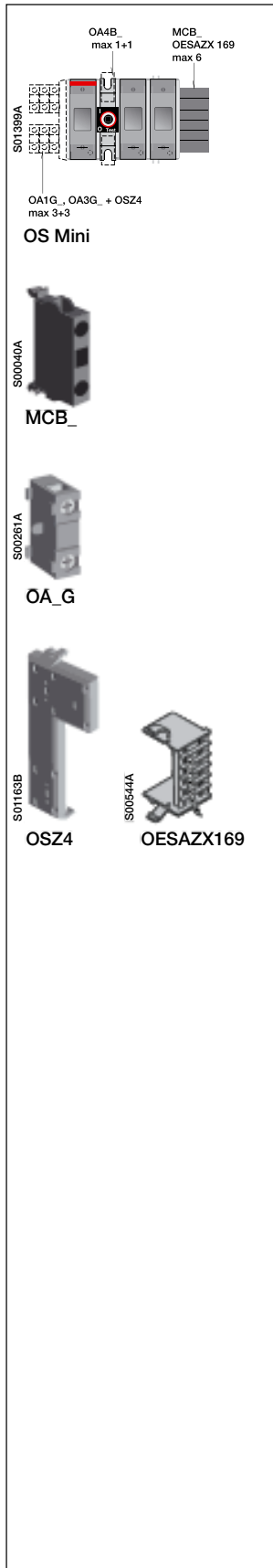
Adapters to place inside of OETLZX 95 to connect shafts of different sizes.

6/6, 6/12	OETLZK19	1SCA022093R1850	1	0.02
-----------	----------	-----------------	---	------

¹⁾ The shaft position is rotated 45 degrees
²⁾ Included as standard in front operated P-types



Auxiliary contacts Ordering information



Auxiliary contacts

Description	Type	Order number	Units/type [pcs]	Weight [kg]
-------------	------	--------------	------------------	-------------

Auxiliary contacts for OS Mini

Mounting to the switch mechanism, auxiliary/test contacts. Max. two change over contacts.

Change over contacts

Handle position	Main contacts	Aux. / Test contacts N.O.	Type	Order number	Units/type	Weight
Test 0	open open	closed open	OA4B1C	1SCA022193R0150	1	0.03

Single pole contacts > 3 mm contact gap.

1 NO		OA4B10	1SCA022276R9050	1	0.03
1 NC		OA4B01	1SCA022276R9210	1	0.03

Mounting on the side of the switch with aux.contact frame OESAZX 169.

1NO		MCB-10	1SCA022150R5110	1	0.03
1NC		MCB-01	1SCA022150R5370	1	0.03

Snap-on mounting on the switch, by using a frame OSZ4. IP20.

NO contacts are provided with a positive opening feature. Units/type = 1 piece. Types _AU have gold plated contacts for harsh environments and low operating voltages.

Description	Type	Order number	Delivery batch [pcs]	Weight /unit [kg]	
1 NO		OA1G10	1SCA022353R4970	10	0.03
1 NC		OA3G01	1SCA022456R7410	10	0.03
1 NO		OA1G10AU	1SCA022436R7910	10	0.03
1 NC		OA3G01AU	1SCA022819R5260	10	0.03

Mounting frames for auxiliary contacts of OS Mini

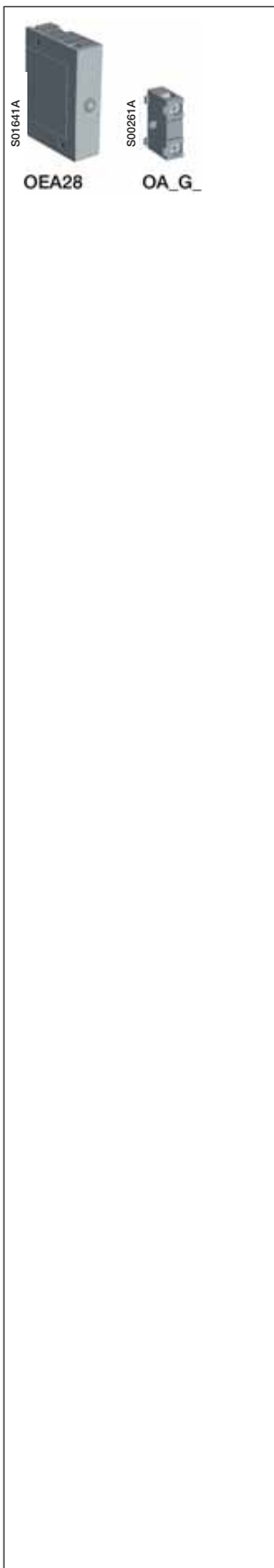
Type	Order number	Units/type [pcs]	Weight [kg]
------	--------------	------------------	-------------

Frame for auxiliary contacts OA1G10 and OA3G01 and for fuse monitor. Max. 6 auxiliary contacts can be fitted.

Mounting on the left side of the switch	OSZ4	1SCA022530R0200	1	0.06
---	------	-----------------	---	------

Frame for MCB- auxiliary contacts. Not suitable for side operated switches. Max. 6 auxiliary contacts can be fitted.

Mounting on the right side of the switch	OESAZX169	1SCA022196R9360	1	0.06
--	-----------	-----------------	---	------



Auxiliary contacts

Auxiliary contacts for OS 32G...1250

Mounting under the mechanism cover:

The "test" contacts operate in ON- and OFF-positions as well as when the handle is turned to TEST-position = 45 degrees over the OFF-position. The "test indication" contacts operate only when the handle is turned to TEST-position. See the function table below. The OA1G10 (N.O.) or OA3G01 (N.C.) auxiliary contact blocks can be used as standard auxiliary contacts, "test" or "test indication" contacts. The desired functions are achieved when an auxiliary contact block is installed in a specific place shown in the mounting instruction. In order to activate the "test" and "test indication" features a handle with test function is required. See the optional handles, page 30.

Function table of OS32G...1250 auxiliary contacts

Handle position	Main contacts	Aux./Test contacts N.O.	Test indication contacts N.O.
Test	open	closed	closed
0	open	open	open
I	closed	closed	open

Maximum number of contact blocks, "Aux./test" contacts and "test indication" contacts, see the table below. Standard versions include all except for N3-types which are equipped with integrated neutral through the mechanism.

Maximum number of auxiliary contacts under the mechanism cover

	OS32G...250		OS315...800		OS1200...1250	
	Standard	N3	Standard	N3	Standard	N3
Pole version						
Maximum number of contact blocks	4	0	8	4	12	8
Aux./Test contacts	4	0	4	2	8 ¹⁾	6 ²⁾
Test indication contacts	2	0	4	2	4	2

The contact timing: see the chart, pages 63-64.

Mounting on the left side of the switch fuse:

Maximum 8 auxiliary contact blocks (N.O. or N.C.) with the OEA28 module. Units/type = 1 piece. Types _AU have gold plated contacts for harsh environments and low operating voltages.

Suitable for switches	Description	Protection degree	Type	Order number	Delivery Weight batch	
					[pcs]	[kg]
OS32G...1250	1NO	IP20	OA1G10	1SCA022353R4970	10	0.03
	1NC	IP20	OA3G01	1SCA022456R7410	10	0.03
	1 NO	IP20	OA1G10AU	1SCA022436R7910	10	0.03
	1 NC	IP20	OA3G01AU	1SCA022819R5260	10	0.03

Module for auxiliary contacts

Screw mounting to the left side of the switch OEA28 1SCA022714R8810 1 0.04

Performance data for auxiliary contacts

OA1G_ , OA3G_ IEC60947-5-1

U _i /[V]	690
U _{imp} /[kV]	4
Pollution degree	3
I _{th} /[A]	16
Cable size	1...2 x 0,75...2,5mm ²
Maximum fuse	16A/gG
NEMA	A600, R300
Wire size	18 - 14AWG, 1(2)

U _e /[V]	AC15 I _e /[A]	U _e /[V]	DC12		DC13	
			I _e /[A]	P/[W]	I _e /[A]	P/[W]
230	6	24	10	240	2	48
400	4	72	4	288	0.8	58
690	2	125	2	250	0.55	69
		250	0,55	138	0.27	68
		440	0.1	44		

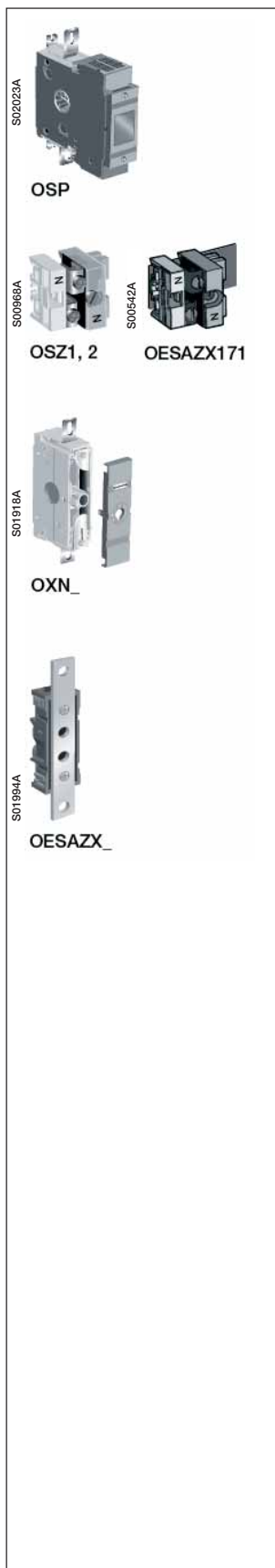
OA4_ EN61058-1

U _i	400V
I _{th}	10A
I _e	400V AC
	10 (4) A, 10E3
	6 (2,5) A, 50E3
NEMA	10 A, 125-250V AC, 1/4 HP
M3 Screw connection	

MCB IEC60947-5-1

U _i	690V		
I _{th}	10A		
I _e	AC12		DC13
	24V	10	5
	110V	10	1.1
	220/240V	10	0.55
	250V	4	0.55
	380/415V	4	
	660/690V	2	
NEMA	A600, 10A, 600VAC		

¹⁾ 6 aux./test contacts and 2 early operation aux./test contacts
²⁾ 4 aux./test contacts and 2 early operation aux./test contacts



Fourth Poles

Snap-on mounting to the side of the switch.

Suitable for 3-pole switches	Mounting side	Type	Order number	Units/type [pcs]	Weight [kg]
Fusible 4. poles					
OS100GB...160GB	Left/right	OSP160GB	1SCA114769R1001	1	0.45
OS125GD...160GD	Left/right	OSP160GD	1SCA114768R1001	1	0.45
OS200B	Left/right	OSP200B	1SCA022735R9180	1	1.20
OS200D	Left/right	OSP200D	1SCA022735R8960	1	1.20
OS250B	Left/right	OSP250B	1SCA022770R4030	1	1.20
OS250D	Left/right	OSP250D	1SCA022735R9340	1	1.20
OS315B...400B	Left/right	OSP400B	1SCA022770R3140	1	2.00
OS400D	Left/right	OSP400D	1SCA022770R3220	1	2.00
OS630...800D	Left/right	OSP800D	1SCA100433R1001	1	4.20
OS630...800B	Left/right	OSP800B	1SCA100434R1001	1	4.20
OS1250D	Left/right	OSP1250D	1SCA107946R1001	1	7.20
OS1250DA	Left/right	OSP1250DA	1SCA112402R1001	1	7.20
OS1250B	Left/right	OSP1250B	1SCA107950R1001	1	7.20
Switched 4. poles					
OS100G...160G	Left/right	OSP160GN	1SCA114770R1001	1	0.45
OS200_	Left/right	OSP200N	1SCA022735R8700	1	1.20
OS250_	Left/right	OSP250N	1SCA022735R9260	1	1.20
OS400_	Left/right	OSP400N	1SCA022770R3490	1	1.20
OS630...800	Left/right	OSP800N	1SCA100432R1001	1	4.40
OS1200...1250	Left/right	OSP1250N	1SCA107943R1001	1	7.20

Neutral links

Max. wire	H/W/D [mm]	Mounting holes	Type	Order number	Units/type [pcs]	Weight [kg]
For OS Mini						
Detachable, mounting on the side of the switch, on the mounting plate or DIN-rail.						
16 mm ² Cu	39/41/40	ø 4.2, distance 32	OESAZX171	1SCA022197R2580	1	0.15
For OS 32G...160G						
Detachable, mounting onto the base plate or DIN-rail.						
16 mm ² Cu	39/41/40	ø 4.2, distance 32	OSZ1	1SCA022481R3710	1	0.06
35 mm ² Cu	39/44/45	ø 4.2, distance 35	OSZ2	1SCA022481R3800	1	0.07
For OS 100G...1250						
Mounting with screws (included) onto either side of the switch (OXN250) or on the base plate (OXN250...1250).						
OS100G...250			OXN250	1SCA022752R9950	1	0.40
OS315...400			OXN400	1SCA022770R3060	1	0.70
OS630...800			OXN800S	1SCA022831R4880	1	1.20
OS1250			OXN1250S	1SCA104163R1001	1	2.5

Mounting separately to the base plate

I _{th} [A]	Terminal size (WxD) [mm]; bolt size	Type	Order number	Units/type [pcs]	Weight [kg]
250	12x3 M6	OESAZX162	1SCA022193R0400	1	0.12
315	20x3 M8	OESAZX164	1SCA022202R9520	1	0.10
400	25x4 M10	OESAZX165	1SCA022202R9790	1	0.12
1000	40x5 M12	OESAZX160	1SCA022186R3960	1	1.00



Solid links Ordering information



Solid links

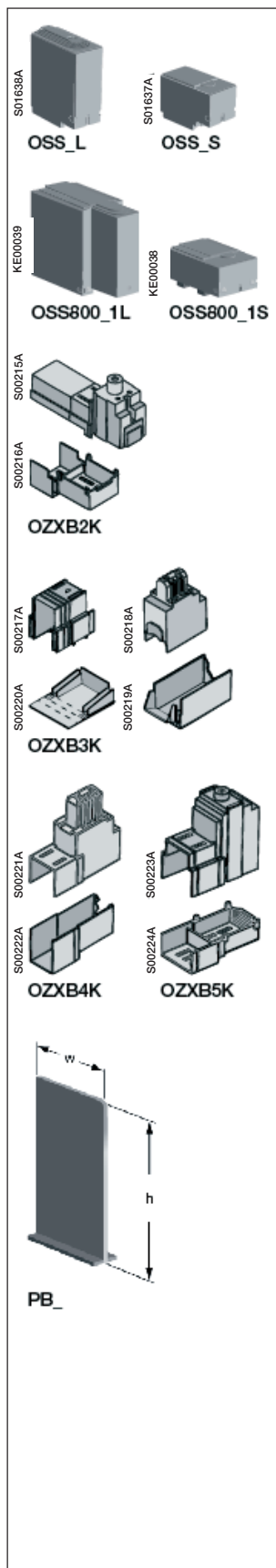
Suitable for	Type	Order number	Units/ type [pcs]	Weight [kg]
OS 20FB...OS 32FB_A1	OESAZG98	1SCA022354R9650	1	0.01
OS32GD...OS160GD	OFAW00	1SCA022003R9680	1	0.08
OS 32FB_A2...OS63GB	OESAZG5	1SCA022057R1380	1	0.02
OS100GB...OS160GB	OESAZS36	1SCA022044R4600	1	0.02
OS100GJ	OESAZS175	1SCA022354R9570	1	0.03
OS 200...250B, J	OEZNL1	1SCA022723R7400	1	0.19
OS 315...400B, J ¹⁾	OESAZK98	1SCA022067R7370	1	0.24
OS 630 B...800 B	OESAZL79	1SCA022067R7110	1	0.64
OS600J, 800...1200L	OEZNL8	1SCA113998R1001	1	0.58
OS1250B	OEZNL10	1SCA116437R1001	1	0.60
OS 250 D	OFAW1	1SCA022003R9760	1	0.15
OS 400 D	OFAW2	1SCA022003R9840	1	0.24
OS 630/800 D	OFAW3	1SCA022003R9920	1	0.28

¹⁾ For OS400J fixing bolts and washers (M8) shall be ordered separately, type FLHSUM8x16-KB/41, two required.



Terminal shrouds and phase barriers

Ordering information



Terminal shrouds

Suitable for switches	Description (L/mm)	Type	Order number	Units/ type [pcs]	Weight [kg]
Pack of single pole terminal shrouds, snap-on mounting, grey plastic, IP 3X. Transparent shrouds available on request.					
OS100G...160G	Long type	OSS160GG1L/3	1SCA114764R1001	3	0.08
	Short type	OSS160GG1S/3	1SCA114766R1001	3	0.05
	Long type	OSS160GG1L/4	1SCA114765R1001	4	0.11
	Short type	OSS160GG1S/4	1SCA114767R1001	4	0.07
OS200	Long type	OSS200G1L/3	1SCA022731R8910	3	0.09
	Short type	OSS200G1S/3	1SCA022732R0130	3	0.06
	Long type	OSS200G1L/4	1SCA022731R9040	4	0.12
	Short type	OSS200G1S/4	1SCA022732R0050	4	0.08
OS250	Long type	OSS250G1L/3	1SCA022731R9390	3	0.09
	Short type	OSS250G1S/3	1SCA022731R9550	3	0.06
	Long type	OSS250G1L/4	1SCA022731R9470	4	0.12
	Short type	OSS250G1S/4	1SCA022731R9630	4	0.08
OS315...400	Long type	OSS400G1L/3	1SCA022776R6650	3	0.18
	Short type	OSS400G1S/3	1SCA022776R6900	3	0.10
	Long type	OSS400G1L/4	1SCA022776R6730	4	0.25
	Short type	OSS400G1S/4	1SCA022776R7030	4	0.15
OS600...800	Long type	OSS800G1L/3	1SCA022776R7200	3	0.53
	Short type	OSS800G1S/3	1SCA022776R7540	3	0.21
	Long type	OSS800G1L/4	1SCA022776R7380	4	0.70
	Short type	OSS800G1S/4	1SCA022776R7460	4	0.28
OS1200...1250	Long type	OSS1250G1L/3	1SCA107938R1001	3	0.76
	Short type	OSS1250G1S/3	1SCA107939R1001	3	0.40
	Long type	OSS1250G1L/4	1SCA107940R1001	4	1.00
	Short type	OSS1250G1S/4	1SCA107941R1001	4	0.52

Terminal shrouds suitable for mechanisms with detachable integrated neutral (N3 versions).

OS100G...250_N3_	Long type	OTS250G1L	1SCA022715R5340	1	0.03
	Short type	OTS250G1S	1SCA022715R5260	1	0.02
OS315...400_N3_	Long type	OSS250G1L	1SCA022727R5080	1	0.03
	Short type	OSS250G1S	1SCA022727R4940	1	0.02
OS630...800_N3_	Long type	OTS800G1L	1SCA022776R7710	1	0.10
	Short type	OTS800G1S	1SCA022776R8010	1	0.06
OS1200...1250_N3_	Long type	OTS1600G1L	1SCA106134R1001	1	0.20
	Short type	OTS1600G1S	1SCA102667R1001	1	0.12

Single pole terminal shroud for terminal clamps, snap-on mounting, transparent plastic, IP 2X.

Suitable for terminal clamps	Type	Order number	Units/ type [pcs]	Weight [kg]
OZXB2, 2L	OZXB2K	1SCA022264R0010	1	0.05
OZXB3, 4	OZXB3K	1SCA022264R0440	1	0.20
OZXB5, 6	OZXB4K	1SCA022199R2850	1	0.24
OZXB7, 7L	OZXB5K	1SCA022283R8040	1	0.13

Phase barriers

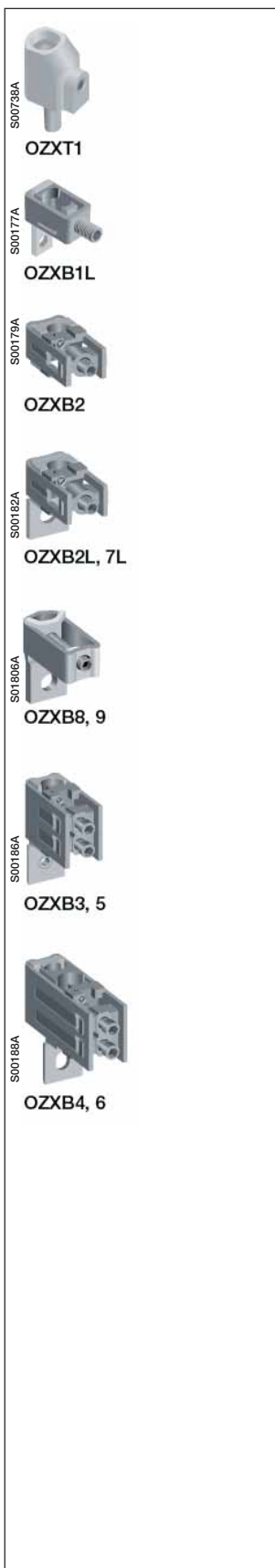
The phase barriers designed for ABB Tmax T4-T5 MCCB's can also be used for OS200...400 switch fuses. 3-pole switch fuses need 4 barriers and 4-pole switch fuses need 6 barriers for full protection.

Suitable for switches	Number of poles	Height h [mm]	Cutting width w of the phase barrier [mm]	Type	Order number	Units/ type [pcs]
OS200B/D, OS250	3	100	55	PB100 low	1SDA054970R1	4
OS315, OS400	3	200	55	PB200 high	1SDA054972R1	4
	4	100	55	PB100 low	1SDA054971R1	6
	4	200	55	PB200 high	1SDA054973R1	6



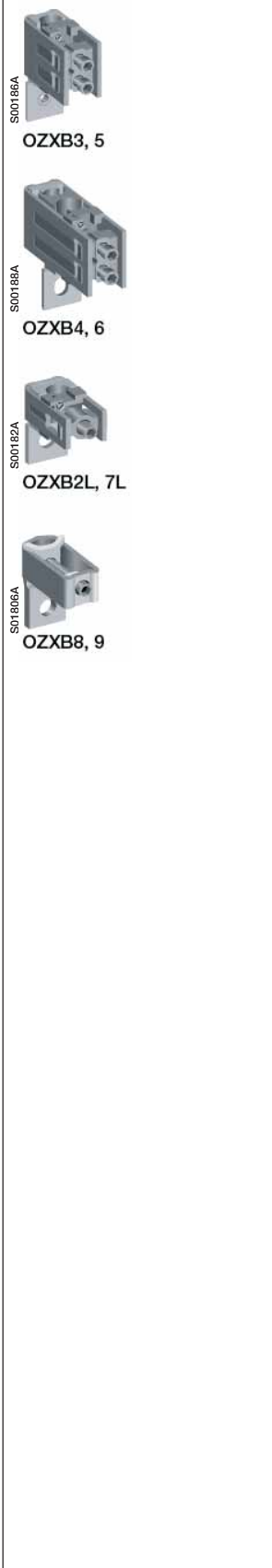
Connecting accessories Ordering information

Terminal clamp sets for Al- and Cu-cables



Suitable for switches	Cable cross section [mm ²]	Suitable shroud	Type	Order number	Units/type [pcs]	Weight [kg]		
Insulated versions								
OS32G...63G	16...50 Al, 2.5...50 Cu		OZXT1	1SCA022469R6310	3	0.05		
			OZXT1/1	1SCA022469R6490	1	0.02		
OZXB-type Al/Cu connectors made of stainless steel								
OS100G...160G	10...70 95...185 95...185	OSS160G_	OZXB1L	1SCA022169R2030	3	0.15		
		OSS160G_	OZXB1L/1	1SCA022194R0030	1	0.05		
		OSS160G_	OZXB8	1SCA022744R1510	3	0.5		
		OSS160G_	OZXB8/1	1SCA022744R1600	1	0.17		
OS200	10...70 10...70 25...120 25...120 25...120 25...120 95...185 95...185 95...240 95...240	OSS200_L	OZXB1L	1SCA022169R2030	3	0.15		
		OSS200_L	OZXB1L/1	1SCA022194R0030	1	0.05		
		OZXB2K	OZXB2	1SCA022119R7610	3	0.34		
		OZXB2K	OZXB2/1	1SCA022194R0200	1	0.12		
		OZXB2K	OZXB2L	1SCA022158R7750	3	0.42		
		OZXB2K	OZXB2L/1	1SCA022194R0460	1	0.14		
		OSS200_L	OZXB8	1SCA022744R1510	3	0.50		
		OSS200_L	OZXB8/1	1SCA022744R1600	1	0.17		
		OSS200_L	OZXB9	1SCA022750R3210	3	0.50		
		OSS200_L	OZXB9/1	1SCA022750R3300	1	0.17		
OS250	25...120 25...120 95...185 95...185 2x(95...185) 2x(95...185) 120...300 120...300 120...240 120...240 95...185 95...185 95...240 95...240	OZXB2K	OZXB2L	1SCA022158R7750	3	0.42		
		OZXB2K	OZXB2L/1	1SCA022194R0460	1	0.14		
		OZXB3K	OZXB3	1SCA022136R8100	3	1.30		
		OZXB3K	OZXB3/1	1SCA022194R0620	1	0.44		
		OZXB3K	OZXB4	1SCA022137R4760	3	1.70		
		OZXB3K	OZXB4/1	1SCA022194R0890	1	0.57		
		OZXB4K	OZXB5	1SCA022137R2470	3	2.30		
		OZXB4K	OZXB5/1	1SCA022194R1010	1	0.77		
		OZXB5K	OZXB7L	1SCA022185R7130	3	1.20		
		OZXB5K	OZXB7L/1	1SCA022194R1600	1	0.40		
		OSS250_L	OZXB8	1SCA022744R1510	3	0.50		
		OSS250_L	OZXB8/1	1SCA022744R1600	1	0.17		
		OSS250_L	OZXB9	1SCA022750R3210	3	0.50		
		OSS250_L	OZXB9/1	1SCA022750R3300	1	0.17		
		OS315...400	25...120 25...120 95...185 95...185 2x(95...185) 2x(95...185) 120...300 120...300 120...300 2x(120...300) 2x(120...300) 120...240 120...240 95...185 95...185 95...240 95...240	OSS400_L	OZXB2L	1SCA022158R7750	3	0.42
				OSS400_L	OZXB2L/1	1SCA022194R0460	1	0.14
OZXB3K	OZXB3			1SCA022136R8100	3	1.30		
OZXB3K	OZXB3/1			1SCA022194R0620	1	0.44		
OZXB3K	OZXB4			1SCA022137R4760	3	1.70		
OZXB3K	OZXB4/1			1SCA022194R0890	1	0.57		
OZXB4K	OZXB5			1SCA022137R2470	3	2.30		
OZXB4K	OZXB5/1			1SCA022194R1010	1	0.77		
OZXB4K	OZXB6			1SCA022137R4920	3	3.03		
OZXB4K	OZXB6/1			1SCA022194R1270	1	1.00		
OZXB5K	OZXB7			1SCA022185R0040	3	1.00		
OZXB5K	OZXB7/1			1SCA022194R1430	1	0.34		
OSS400_L	OZXB8			1SCA022744R1510	3	0.50		
OSS400_L	OZXB8/1			1SCA022744R1600	1	0.17		
OSS400_L	OZXB9			1SCA022750R3210	3	0.50		
OSS400_L	OZXB9/1			1SCA022750R3300	1	0.17		

Terminal clamp sets for Al- and Cu-cables



Suitable for switches	Cable cross section [mm²]	Suitable shroud	Type	Order number	Units/ type [pcs]	Weight [kg]
-----------------------	---------------------------	-----------------	------	--------------	-------------------	-------------

OZXB-type Al/Cu connectors made of stainless steel

OS630...800	95...185	OSS800_L	OZXB3	1SCA022136R8100	3	1.30	
	95...185	OSS800_L	OZXB3/1	1SCA022194R0620	1	0.44	
	2x(95...185)	OSS800_L	OZXB4	1SCA022137R4760	3	1.70	
	2x(95...185)	OSS800_L	OZXB4/1	1SCA022194R0890	1	0.57	
	120...300	OSS800_L	OZXB5	1SCA022137R2470	3	2.30	
	120...300	OSS800_L	OZXB5/1	1SCA022194R1010	1	0.77	
	2x(120...300)	OSS800_L	OZXB6	1SCA022137R4920	3	3.03	
	2x(120...300)	OSS800_L	OZXB6/1	1SCA022194R1270	1	1.00	
	120...240	OSS800_L	OZXB7L	1SCA022185R7130	3	1.20	
	120...240	OSS800_L	OZXB7L/1	1SCA022194R1600	1	0.40	
OS1250	95...185	OSS800_L	OZXB8	1SCA022744R1510	3	0.50	
	95...185	OSS800_L	OZXB8/1	1SCA022744R1600	1	0.17	
	95...240	OSS800_L	OZXB9	1SCA022750R3210	3	0.50	
	95...240	OSS800_L	OZXB9/1	1SCA022750R3300	1	0.17	
	OS1250	95...185	OTS1600_L	OZXB3	1SCA022136R8100	3	1.30
		95...185	OTS1600_L	OZXB3/1	1SCA022194R0620	1	0.44
		2x(95...185)	OTS1600_L	OZXB4	1SCA022137R4760	3	1.70
		2x(95...185)	OTS1600_L	OZXB4/1	1SCA022194R0890	1	0.57
		120...300	OTS1600_L	OZXB5	1SCA022137R2470	3	2.30
		120...300	OTS1600_L	OZXB5/1	1SCA022194R1010	1	0.77
2x(120...300)		OTS1600_L	OZXB6	1SCA022137R4920	3	3.03	
2x(120...300)		OTS1600_L	OZXB6/1	1SCA022194R1270	1	1.00	
120...240		OTS1600_L	OZXB7L	1SCA022185R7130	3	1.20	
120...240		OTS1600_L	OZXB7L/1	1SCA022194R1600	1	0.40	
OS1250	95...185	OTS1600_L	OZXB8	1SCA022744R1510	3	0.50	
	95...185	OTS1600_L	OZXB8/1	1SCA022744R1600	1	0.17	
	95...240	OTS1600_L	OZXB9	1SCA022750R3210	3	0.50	
	95...240	OTS1600_L	OZXB9/1	1SCA022750R3300	1	0.17	

OZXR type Al/Cu connectors made of stainless steel and copper

OS100G...160G	6...70	OSS160G_L	OZXR70	1SCA115529R1001	3	0.15
	25...95	OSS160G_L	OZXR95	1SCA115530R1001	3	0.21
OS200	25...95	OSS200_L	OZXR95	1SCA115530R1001	3	0.21
	95...185	OSS200_L	OZXR185	1SCA115531R1001	3	0.45
	2x(95...185)	-	OZXR2X185	1SCA115534R1001	3	0.66
OS250	95...185	OSS250_L	OZXR185	1SCA115531R1001	3	0.45
	2x(95...185)	-	OZXR2X185	1SCA115534R1001	3	0.66
OS315...400	95...240	OSS400_L	OZXR240	1SCA115532R1001	3	0.42
	2x(95...185)	-	OZXR2X185	1SCA115534R1001	3	0.66
	185...300	-	OZXR300	1SCA115533R1001	3	0.87
OS630...800	2x(185...300)	OSS800_L	OZXR2X300	1SCA115535R1001	3	1.59

OZXP type Al/Cu connectors made of tin plated aluminium profile

OS100G...160G	6...95	OSS160G_L	OZXP95	1SCA115539R1001	3	0.09
OS200	6...95	OSS200_L	OZXP95	1SCA115539R1001	3	0.09
	16...120	OSS200_L	OZXP120	1SCA115540R1001	3	0.15
	25...150	-	OZXP150	1SCA115541R1001	3	0.18
	35...240	-	OZXP240	1SCA115542R1001	3	0.27
OS250	35...240	-	OZXP240	1SCA115542R1001	3	0.27
OS315...400	35...240	-	OZXP240	1SCA115542R1001	3	0.27
	95...300	-	OZXP300	1SCA115543R1001	3	0.42
	2x(70...240)	-	OZXP2X240	1SCA115544R1001	3	1.38
OS630...800	2x(70...240)	OSS800_L	OZXP2X240	1SCA115544R1001	3	1.38



Conversion kits Ordering information

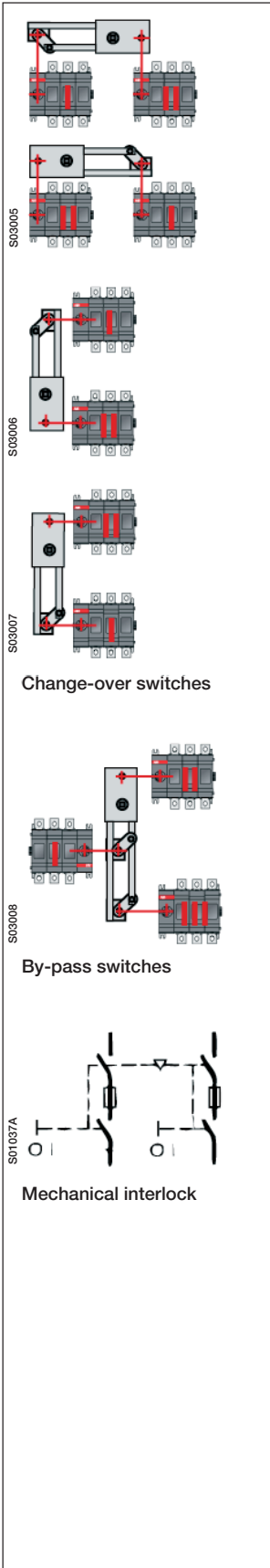
Conversion kits for front operated combination switches



Suitable for switches	Remarks	Shaft distance [mm]	Type	Order number	Units/ type [pcs]	Weight [kg]
6 and 8-pole switch mechanism						
Parallel attachment for connecting 3- and 4-pole switches. The switches work simultaneously.						
6-pole switches						
OS Mini	Two 3-pole switches needed.		OWP6DS1	1SCA105255R1001	1	0.69
8-pole switches						
OS Mini	Two 4-pole switches needed.		OWP6DS2	1SCA105256R1001	1	0.69
The attachment levers are provided with holes, enabling different shaft distances. The combination switches can be mounted either horizontally or vertically.						
OS32G-250	Two 3- or 4-pole switches needed	45+(0-13)x15	OESAZW2	1SCA022078R1600	1	0.37
OS315-400	Two 3- or 4-pole switches needed	60+(0-19)x20	OETLZW9	1SCA022061R3300	1	1.1
Change-over switch mechanism						
Two switches connected with a mechanism operating into I-O-II positions.						
OS Mini	Two 3-pole switches needed		OWC6DSH1	1SCA105251R1001	1	1.0
OS Mini	Two 4-pole switches needed		OWC6DSH2	1SCA105252R1001	1	1.0
OS32G-250	Two 3- or 4-pole switches needed	210+(0 - 18)x20	OTZW25	1SCA022778R6920	1	2.8
OS315-400	Two 3- or 4-pole switches needed	210+(0 - 11)x20	OETLZW11	1SCA022078R0030	1	3.0
OS315-400	Two 3- or 4-pole switches needed	210+(0 - 20)x20	OETLZW12	1SCA022078R0200	1	4.6
By-pass switch mechanism						
A combination of two switches in parallel with a third switch for change-over operation to pass-by, for example, a breaker for maintenance. The by-pass attachment can be used together with another combination attachment.						
OS32G - 250	Three 3- or 4-pole switches needed	Between 1 and 2: 210+(0 - 9)x20 Between 1 and 3: 250+(0 - 9)x20	OTZW26	1SCA022778R7060	1	3.3
OS315-400	Three 3- or 4-pole switches needed	Between 1 and 2: 210+(0 - 18)x20 Between 1 and 3: 250+(0 - 18)x20	OETLZW13	1SCA022078R0460	1	4.0
Mechanical interlock mechanism						
Prevents one switch from closing to ON -position, if the other is not in OFF - position.						
OTZW/OETLZW-types: When mounted upside down, prevents one switch from opening to OFF-position, if the other is not in the ON-position. (UPS-usage, make-before-break)						
OS Mini	Two 3-pole switches needed		OWM6DS1	1SCA105253R1001	1	0.30
OS Mini	Two 4-pole switches needed		OWM6DS2	1SCA105254R1001		0.30
OS32G-250	Two 3- or 4-pole switches needed	190	OTZW10	1SCA022431R5280	1	0.40
OS315-800	Two 3- or 4-pole switches needed	250	OETLZW14	1SCA022077R3410	1	0.70
OS315-800	Two 3- or 4-pole switches needed	300	OETLZW3	1SCA022049R0380	1	0.80
OS315-1250	Two 3- or 4-pole switches needed	500	OETLZW15	1SCA022081R9340	1	1.24

The shafts and handles for conversion kits

Conversion kit type	To be ordered separately		Included in the conversion kit delivery		The standard handle or shaft of one of the combined switches can be used	
	Shaft	Handle	Shaft	Handle	Shaft	Handle
6 and 8-pole switches						
OWP6DS1	x	-	-	-	-	x
OWP6DS2	x	-	-	-	-	x
OESAZW2	-	-	x (2 pcs)	OHB145J12	-	-
OETLZW9	-	-	-	-	x	x
Change-over switches						
OWC6DSH1	x (length min. 170mm)	-	-	OHB65J6E011	-	-
OWC6DSH2	x (length min. 170mm)	-	-	OHB65J6E011	-	-
OTZW25	-	-	x (2 pcs)	OHB95J12E011	-	-
OETLZW11	-	-	x (2 pcs)	OHB145J12E011	-	-
OETLZW12	-	-	x (2 pcs)	YASDA21	-	-
By-pass switches						
OTZW26	-	-	x (3 pcs)	OHB95J12E011	-	-
OETLZW13	-	-	x (3 pcs)	YASDA 6	-	-
Mechanical interlock						
OWM6DS1	x (2 pcs, length min. 170mm)	x (2 pcs)	-	-	-	-
OWM6DS2	x (2 pcs, length min. 170mm)	x (2 pcs)	-	-	-	-
OTZW10	-	-	-	-	x	x
OETLZW14	-	-	-	-	x	x
OETLZW3	-	-	-	-	x	x
OETLZW15	-	-	-	-	x	x

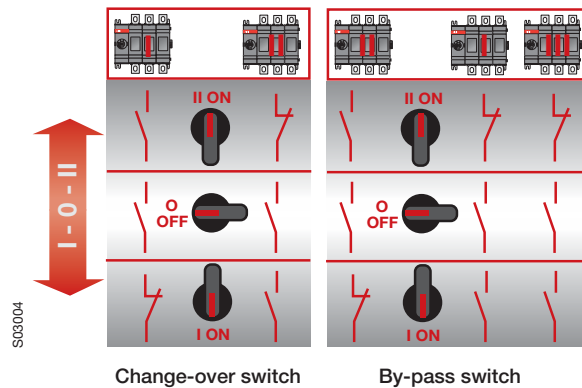


Change-over switches

By-pass switches

Mechanical interlock

The functional diagram



Change-over switch

By-pass switch



Electronic fuse monitor

Includes the auxiliary contacts 1NO + 1NC. More information, see brochure OFM_OFS20GB.

OS Mini

Mounting onto the left side of OS Mini (with a frame OSZ4) or on mounting plate.

Rated voltage [Vac]	Type	Order Number	Units/ type [pcs]	Weight [kg]
100...260	OFM260	1SCA022459R8560	1	0.14
380...690	OFM690	1SCA022459R8480	1	0.14

OS32G...1250

Mounting onto the left side of OS32G-1250 switch fuse or on DIN-rail or on mounting plate.

100...260	OFS260	1SCA022716R0180	1	0.16
380...690	OFS690	1SCA022715R9920	1	0.16

Mounting accessories for fuse monitor

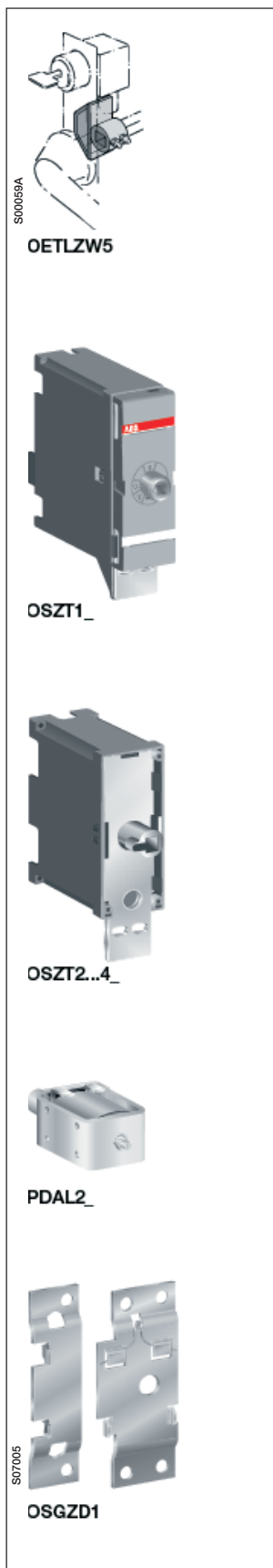
Suitable for switches	Flat terminal size [mm]	Type	Order Number	Units/ type [pcs]	Weight [kg]
Crimp terminals					
OS_	2.8 - 0.8	OFMZ2	1SCA022475R9910	6	0.01
Mounting frame for OS Mini					
Mounting on the left side of the switch		OSZ4	1SCA022530R0200	1	0.6

Blown fuse indicators (DPMM)

Striker type fuse is needed.

Suitable for switches	Type	Order Number	Units/ type [pcs]	Weight [kg]
OS Mini				
Auxiliary contact (1x C/O) included.				
for 3-pole switches	OSD25P3	1SCA022192R9060	1	0.1
for 4-pole switches, fused neutral	OSD25P4	1SCA022196R9520	1	0.1
OS50GF_				
Auxiliary contacts (3 x C/O in 3-pole, 4 x C/O in 4-pole) included.				
for 3-pole switches	OSGD50P3	1SCA116401R1001	1	0.015
for 4-pole switches, fused neutral	OSGD50P4	1SCA115689R1001	1	0.02
OS 125GF_				
Auxiliary contacts (3 x C/O in 3-pole, 4 x C/O in 4-pole) included.				
for 3-pole switches	OSGD125P3	1SCA115690R1001	1	0.025
for 4-pole switches, fused neutral	OSGD125P4	1SCA115692R1001	1	0.035
OS250...1250				
Auxiliary contacts (3xNO + 3xNC in 3-pole and 4xNO + 4xNC in 4-pole) included.				
for 3-pole switches	OSZX3	1SCA101224R1001	1	0.15
for 4-pole switches	OSZX4	1SCA101225R1001	1	0.20

C/O = Change over contact



Cam attachment

for Castell, Lowe & Fletcher and Ronis interlock

Cam attachment for adopting the switches to the interlock system. The interlock is not included.

Suitable for switches	Type	Order number	Units/ type [pcs]	Weight [kg]
OS16...250	OETLZW16	1SCA022095R2070	1	0.17
OS315...1250	OETLZW5	1SCA022052R3900	1	0.14

Mechanism interlock kits & Electrical interlocks

OS32G...1250 switch fuses can be interlocked in the OFF position using padlocks and by using a mechanical interlock kit mounted on the mechanism.

The diameter of the lock bail can be max 8 mm.

Note: The shaft must go through the interlock into the switch mechanism.

Suitable for switches	Type	Order number	Units/ type [pcs]	Weight [kg]
Interlocking in the OFF position				
OS32G...160G	OTZT1A	1SCA106522R1001	1	0.21
OS200 ... 250_	OSZT1A	1SCA106532R1001	1	0.32
OS315 ... 400_	OSZT2A	1SCA106534R1001	1	0.75
OS600 ...800_	OSZT3A	1SCA106535R1001	1	1.2
OS1200 ... 1250_	OSZT4A	1SCA106536R1001	1	2.0
Interlocking in the OFF & ON positions				
OS32G...160G	OTZT1L	1SCA106527R1001	1	0.21
OS200 ... 250_	OSZT1L	1SCA106538R1001	1	0.32
OS315 ... 400_	OSZT2L	1SCA106539R1001	1	0.75
OS600 ...800_	OSZT3L	1SCA106540R1001	1	1.2
OS1200 ... 1250_	OSZT4L	1SCA106541R1001	1	2.0

Coils

By installing a coil inside the housing of the interlock kit the switch can be interlocked electrically in the OFF position or both in the OFF and ON positions.

The electrical interlock works using the "closed circuit principle", meaning that when the control voltage is not connected to the coil, the switches provided with A-type interlocks cannot be turned to the ON position and switches with L-type interlocks cannot be turned to the ON or OFF positions.

Suitable for switches	Type	Order number	Units/ type [pcs]	Weight [kg]
AC coils				
24 VAC, 60 Hz	PDAL2/24AC60Hz	1SCA111350R1001	1	0.15
110 VAC, 50Hz	PDAL2/110AC50Hz	1SCA106543R1001	1	0.15
110 VAC, 60Hz	PDAL2/110AC60Hz	1SCA107100R1001	1	0.15
120 VAC, 60 Hz	PDAL2/120AC60Hz	1SCA111353R1001	1	0.15
208 VAC, 60Hz	PDAL2/208AC60Hz	1SCA107101R1001	1	0.15
230 VAC, 50Hz	PDAL2/230AC50Hz	1SCA107102R1001	1	0.15
240 VAC, 60 Hz	PDAL2/240AC60Hz	1SCA111356R1001	1	0.15
DC coils				
24 VDC	PDAL2/24DC	1SCA106542R1001	1	0.15
48 VDC	PDAL2/48DC	1SCA107103R1001	1	0.15
60 VDC	PDAL2/60DC	1SCA107104R1001	1	0.15
110 VDC	PDAL2/110DC	1SCA107105R1001	1	0.15
125 VDC	PDAL2/125DC	1SCA111338R1001	1	0.15
220 VDC	PDAL2/220DC	1SCA112503R1001	1	0.15

Technical data for the coil

Operating voltage		$U=0.7...1.1 \times U_n$
Operating ambient temperature		-40°C...+65°C ⁿ
Power consumption	with AC	6.5 W
	with DC	9 VA

Mounting accessories

DIN-rail mounting kit

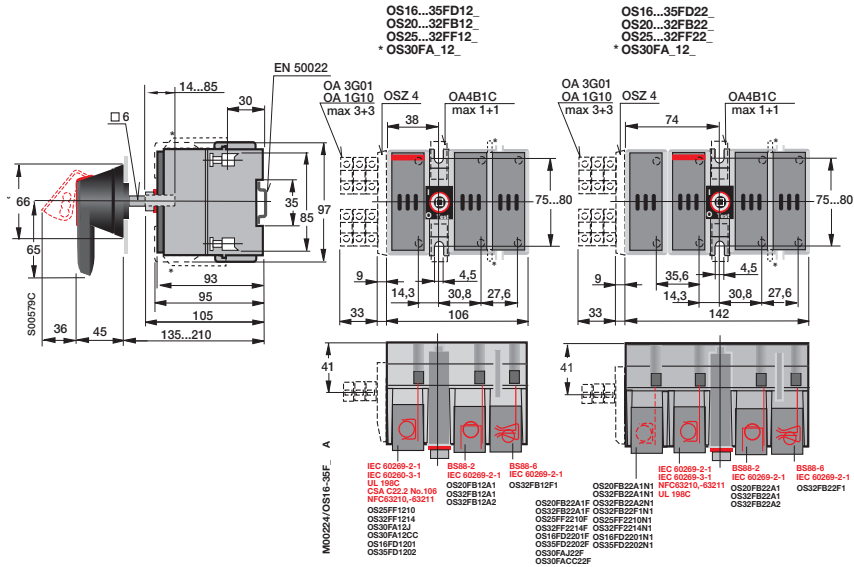
For mounting a switch fuse into 35 mm DIN-rail

Suitable for switches	Type	Order Number	Units/ type [pcs]	Weight [kg]
OS32G...160G, 1 - 4 -pole	OSGZD1	1SCA115688R1001	1	0.2

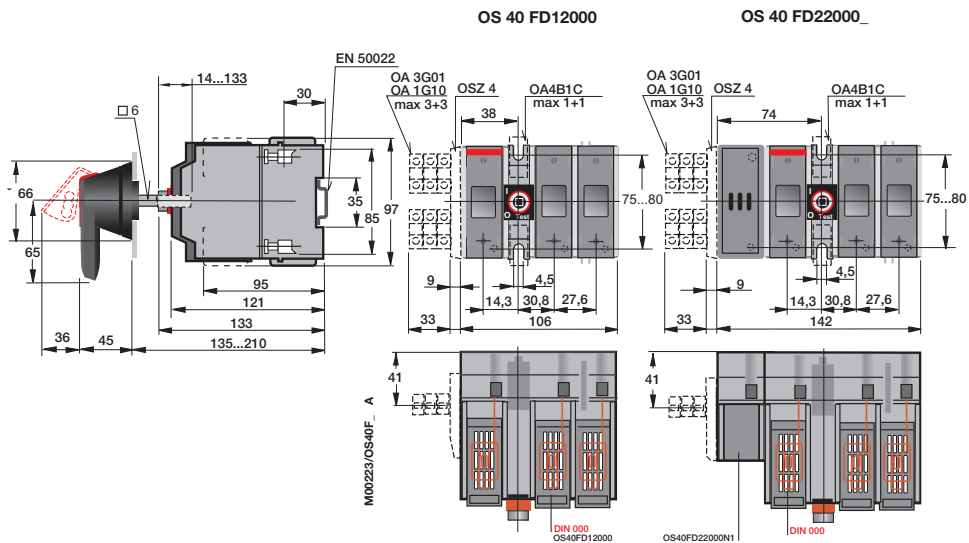


Front operated switch fuses Dimension drawings

OS Mini

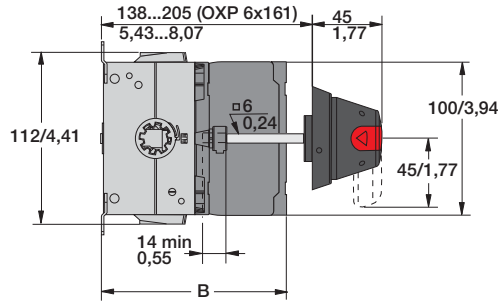
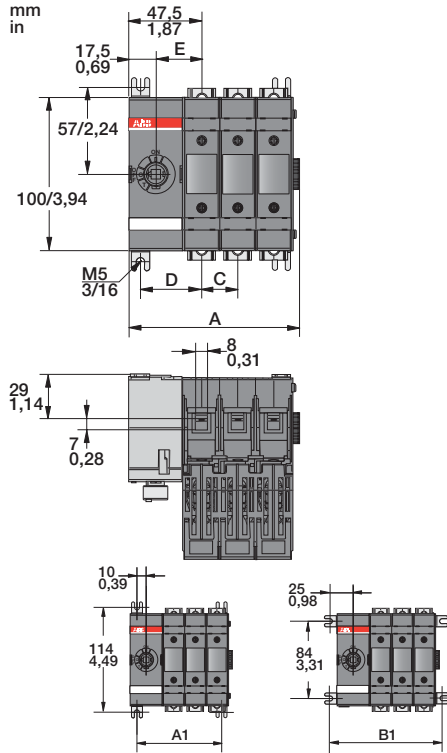


OS 40 Mini



OS32...63G_P

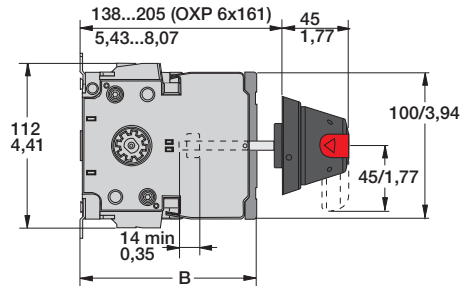
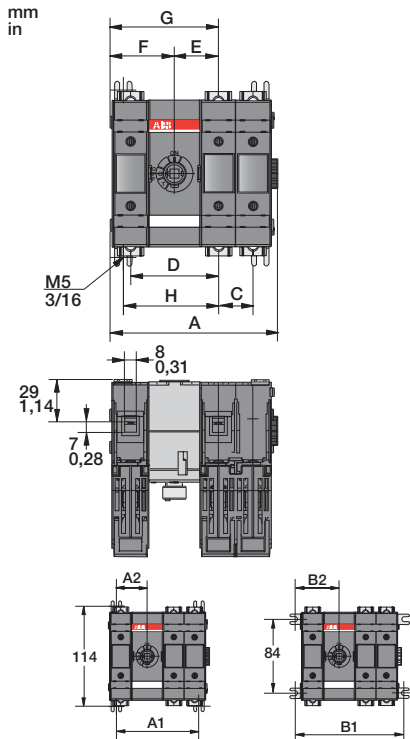
Mechanism at the end of the switch fuse



M0287/OS32-63G_01-04 - A

	OS32-63GD				OS32-63GB/F				OS60GJ			
	mm				mm				mm / in			
A	D01	D02	D03	D04	B/F01	B/F02	B/F03	B/F04	J01	J02	J03	J04
B	64,5	88	111,5	135,5	64,5	88	111,5	135,5	74,5/2,93	109,5/4,31	144,5/5,69	179,5/7,07
C	-	23,5	23,5	23,5	-	23,5	23,5	23,5	-	35/1,38	35/1,38	35/1,38
D	40	40	40	40	40	40	40	40	45,5/1,79	45,5/1,79	45,5/1,79	45,5/1,79
E	30	30	30	30	30	30	30	30	36/1,41	36/1,41	36/1,41	36/1,41
A1	45	68,5	92	111,5	45	68,5	92	111,5	51/2,01	86/3,39	121/4,76	156/6,14
B1	75	98,5	122	145,5	75	98,5	122	145,5	81/3,19	116/4,57	151/5,94	186/7,32

Mechanism between the poles



M0288/OS32-63G_11-22 - A

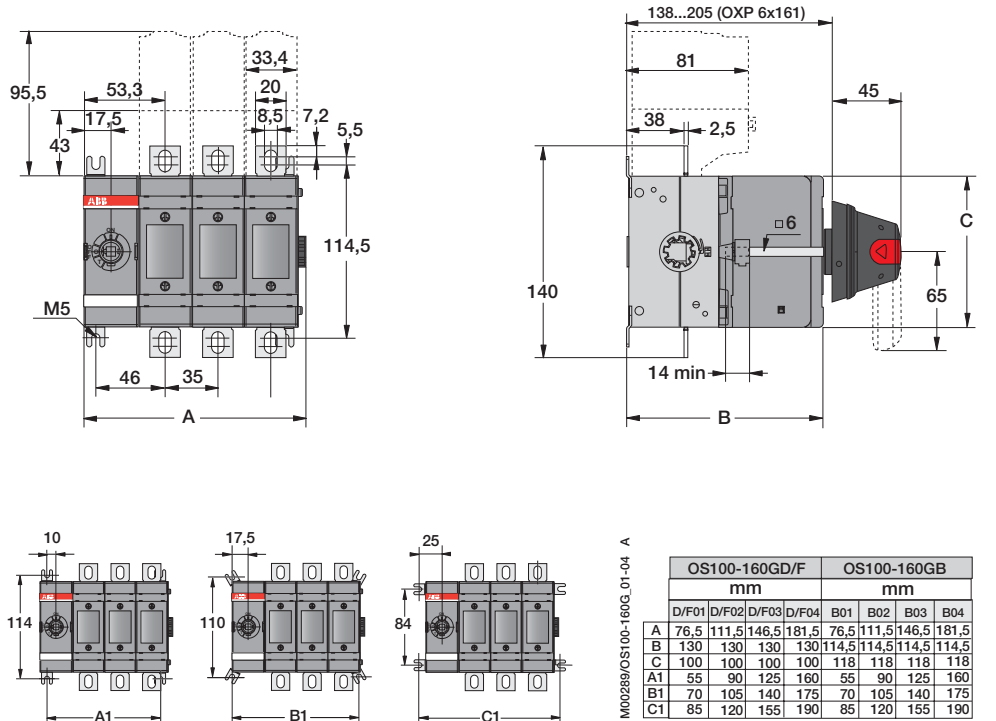
	OS32-63GD				OS32-63GB/F				OS60GJ			
	mm				mm				mm / in			
A	D11	D12	D13	D22	B/F11	B/F12	B/F13	B/F22	J11	J12	J13	J22
B	91	114,5	138	138	91	114,5	138	138	74,5/2,93	148/5,82	183,5/7,20	179,5/6,98
C	-	23,5	23,5	23,5	-	23,5	23,5	23,5	-	35/1,38	35/1,38	35/1,38
D	60	60	60	60	60	60	60	60	71,5/2,81	71,5/2,81	71,5/2,81	71,5/2,81
E	30	30	30	30	30	30	30	30	36/1,41	36/1,41	36/1,41	36/1,41
F	44	44	44	67,5	44	44	44	67,5	55,5/2,19	55,5/2,19	55,5/2,19	90,5/3,56
G	74	74	74	97,5	74	74	74	97,5	91,5/3,6	91,5/3,6	91,5/3,6	126,5/4,98
A1	70	93,5	117	117	70	93,5	117	117	81,5/3,21	116,5/4,59	151,5/5,96	151,5/5,96
A2	35	35	35	58,5	35	35	35	58,5	40,5/1,59	40,5/1,59	40,5/1,59	75,5/2,97
B1	75	123,5	147	147	75	123,5	147	147	111,5/4,39	146,5/5,77	181,5/7,15	181,5/7,15
B2	50	50	50	73,5	50	50	50	73,5	70,5/2,78	70,5/2,78	70,5/2,78	105,5/4,15



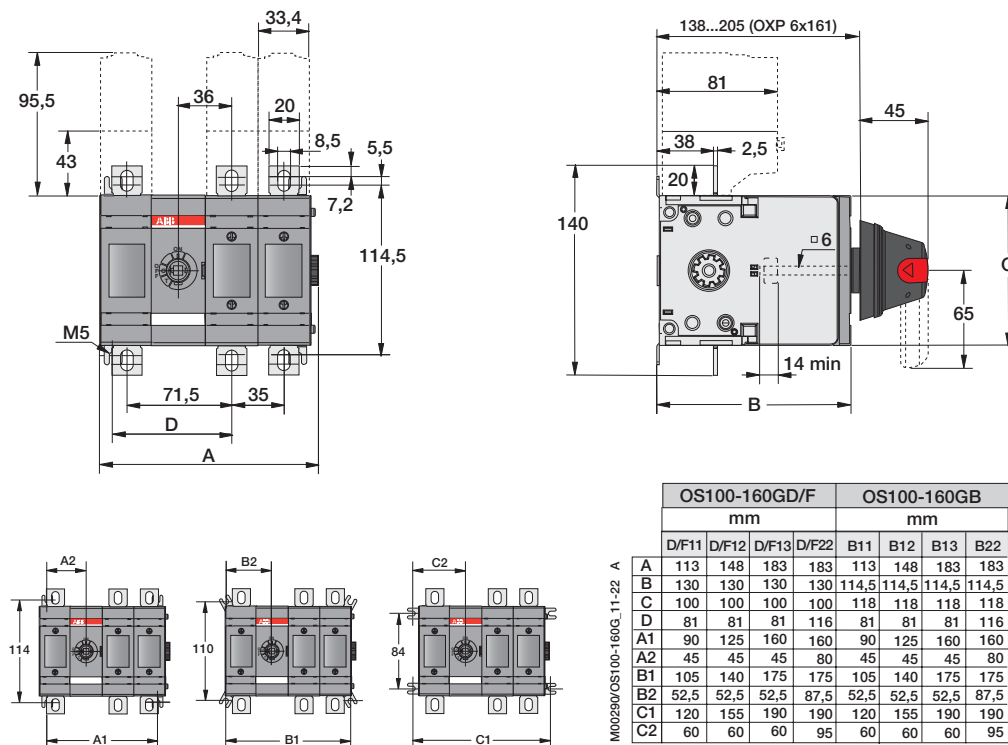
Front operated switch fuses Dimension drawings

OS100...160G_P

Mechanism at the end of the switch fuse



Mechanism between the poles

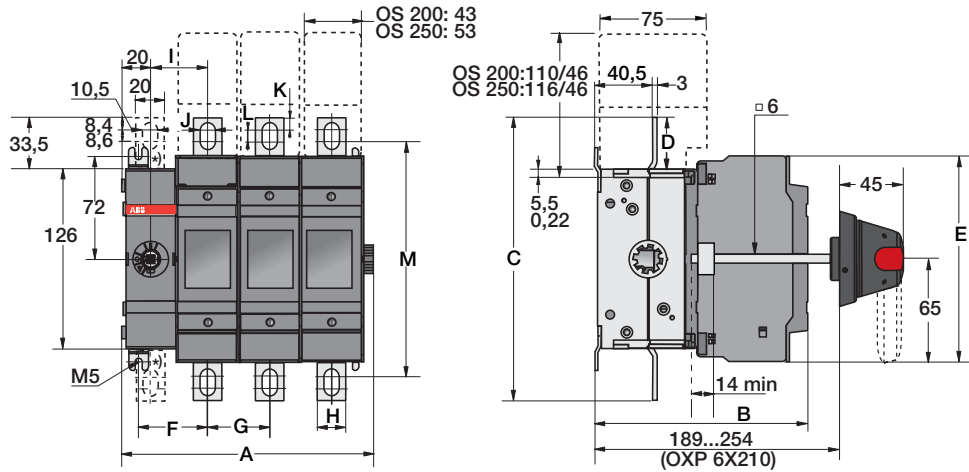




Front operated switch fuses Dimension drawings

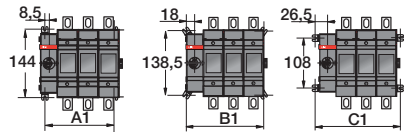
OS 200_P and OS 250_P

Mechanism at the end of the switch fuse

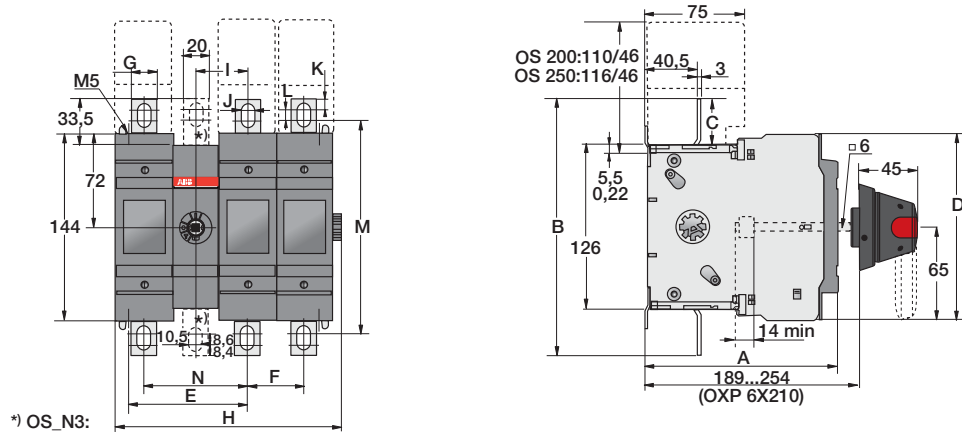


*) OS_N3

	OS200								OS250							
	D01	B01	D02	B02	D03	B03	D04	B04	D01/B01	D02/B02	D03/B03	D04/B04	D01	B01	D02	B02
A	89,5	89,5	133	133	176,5	176,5	220	220	99,5	153,5	207,5	261,5	149	130	149	130
B	149	130	149	130	149	130	149	149	154	154	154	154	199	199	199	199
C	198,5	198,5	198,5	198,5	198,5	198,5	198,5	198,5	193	193	193	193	36,5	36,5	36,5	36,5
D	36,5	36,5	36,5	36,5	36,5	36,5	36,5	36,5	33,5	33,5	33,5	33,5	144,5	144,5	144,5	144,5
E	144,5	144,5	144,5	144,5	144,5	144,5	144,5	148,5	148,5	148,5	148,5	148,5	8,4	8,4	8,4	8,4
F	48,5	48,5	48,5	48,5	48,5	48,5	48,5	53,5	53,5	53,5	53,5	53,5	10	10	10	10
G	48,5	48,5	48,5	48,5	48,5	48,5	48,5	54	54	54	54	54	8,4	8,4	8,4	8,4
H	20	20	20	20	20	20	20	25	25	25	25	25	8,6	8,6	8,6	8,6
I	40	40	40	40	40	40	40	45	45	45	45	45	184,5	184,5	184,5	184,5
J	10	10	10	10	10	10	10	11	11	11	11	11	60,5	60,5	104	104
K	8,4	8,4	8,4	8,4	8,4	8,4	8,4	11,5	11,5	11,5	11,5	11,5	147,5	147,5	191	191
L	8,6	8,6	8,6	8,6	8,6	8,6	8,6	4	4	4	4	4	210	210	89,5	89,5
M	184,5	184,5	184,5	184,5	184,5	184,5	184,5	162	162	162	162	162	143,5	143,5	197,5	197,5
N	80	80	80	80	80	80	80	129,5	129,5	178,5	232,5	70	70	70	70	
A1	60,5	60,5	104	104	147,5	147,5	191	191	191	210	89,5	143,5	160	214	268	268
B1	79,5	79,5	123	123	166,5	166,5	210	210	210	187	251	251	113,5	113,5	80	80
C1	96,5	96,5	140	140	183,5	183,5	227	227	227	106,5	160,5	214,5	80	80	134	134

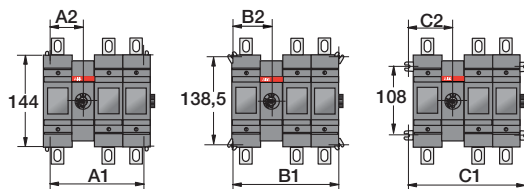


Mechanism between the poles



*) OS_N3:

	OS200								OS250							
	D11	B11	D12	B12	D13	B13	D22	B22	D11	D13	D22	D22	D11	D13	D22	D22
A	149	130	149	130	141	130	149	130	154	154	154	154	199	199	199	199
B	199	199	199	199	199	199	199	199	193	193	193	193	36,5	36,5	36,5	36,5
C	36,5	36,5	36,5	36,5	36,5	36,5	36,5	36,5	33,5	33,5	33,5	33,5	144,5	144,5	144,5	144,5
D	144,5	144,5	144,5	144,5	144,5	144,5	144,5	148,5	148,5	148,5	148,5	148,5	8,4	8,4	8,4	8,4
E	8,4	8,4	8,4	8,4	8,4	8,4	8,4	11,5	11,5	11,5	11,5	11,5	10	10	10	10
F	10	10	10	10	10	10	10	11	11	11	11	11	8,4	8,4	8,4	8,4
G	8,4	8,4	8,4	8,4	8,4	8,4	8,4	4	4	4	4	4	184,5	184,5	184,5	184,5
H	184,5	184,5	184,5	184,5	184,5	184,5	184,5	162	162	162	162	162	60,5	60,5	104	104
I	60,5	60,5	104	104	147,5	147,5	191	191	191	210	89,5	143,5	147,5	147,5	191	191
J	147,5	147,5	191	191	191	191	191	124	178	232	232	70	70	70	70	
K	80	80	80	80	80	80	80	129,5	129,5	178,5	232,5	113,5	113,5	80	80	
L	80	80	80	80	80	80	80	106,5	106,5	160,5	214,5	80	80	134	134	
M	106,5	106,5	160,5	160,5	214,5	214,5	268	268	268	106,5	160,5	214,5	80	80	134	134
N	80	80	80	80	80	80	80	129,5	129,5	178,5	232,5	70	70	70	70	
A1	60,5	60,5	104	104	147,5	147,5	191	191	191	210	89,5	143,5	160	214	268	268
B1	79,5	79,5	123	123	166,5	166,5	210	210	210	187	251	251	113,5	113,5	80	80
C1	96,5	96,5	140	140	183,5	183,5	227	227	227	106,5	160,5	214,5	80	80	134	134

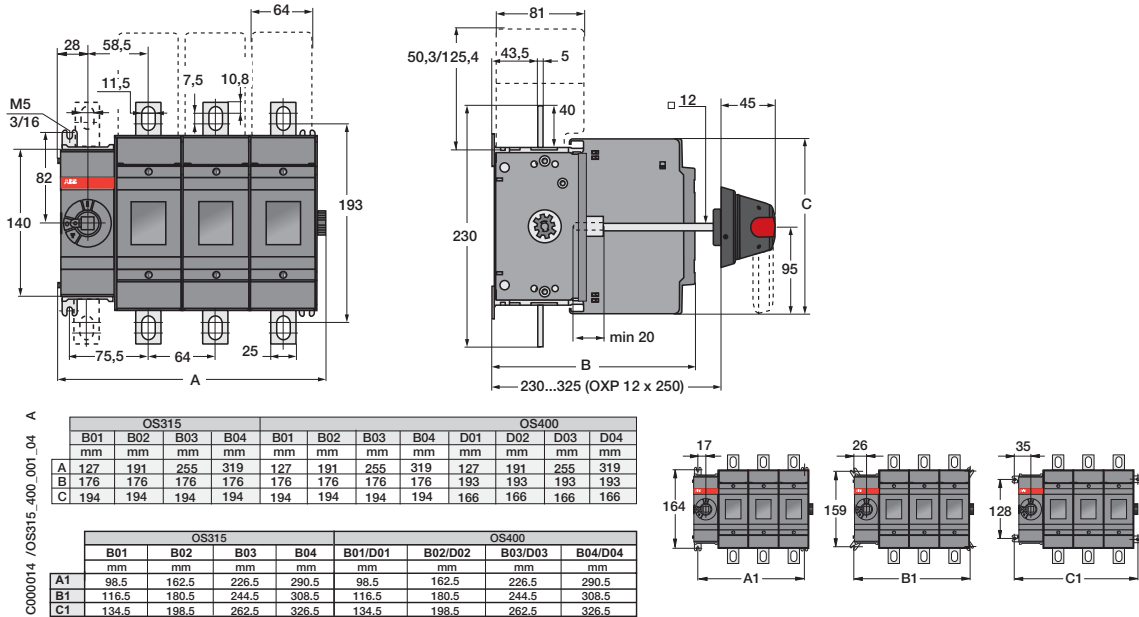




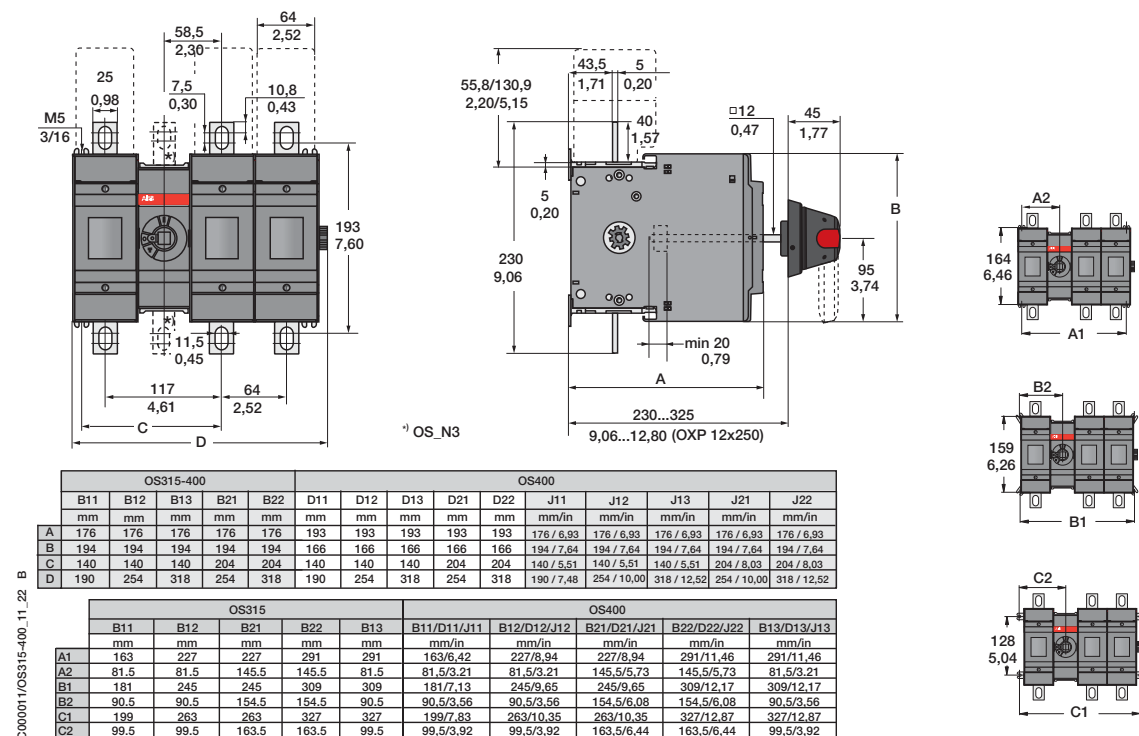
Front operated switch fuses Dimension drawings

OS 315_P and OS 400_P

Mechanism at the end of the switch fuse



Mechanism between the poles

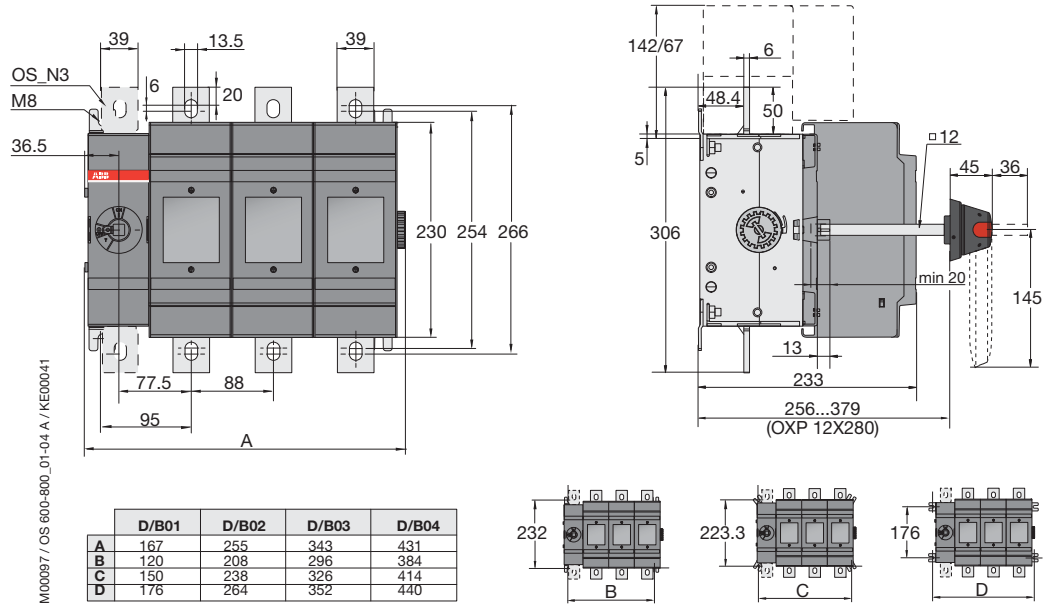




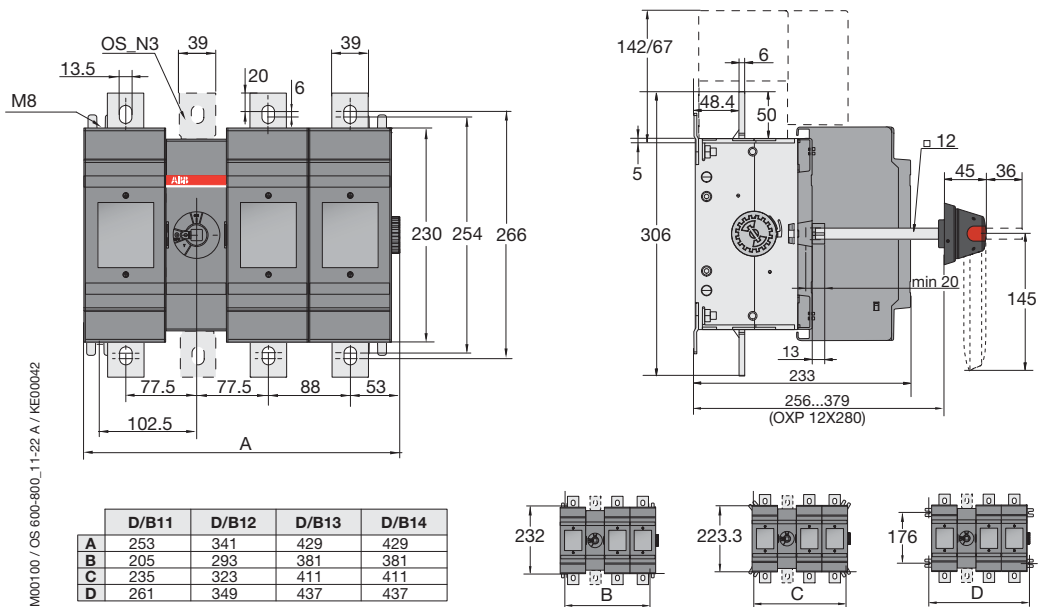
Front operated switch fuses Dimension drawings

OS 630_P and OS 800_P

Mechanism at the end of the switch fuse



Mechanism between the poles

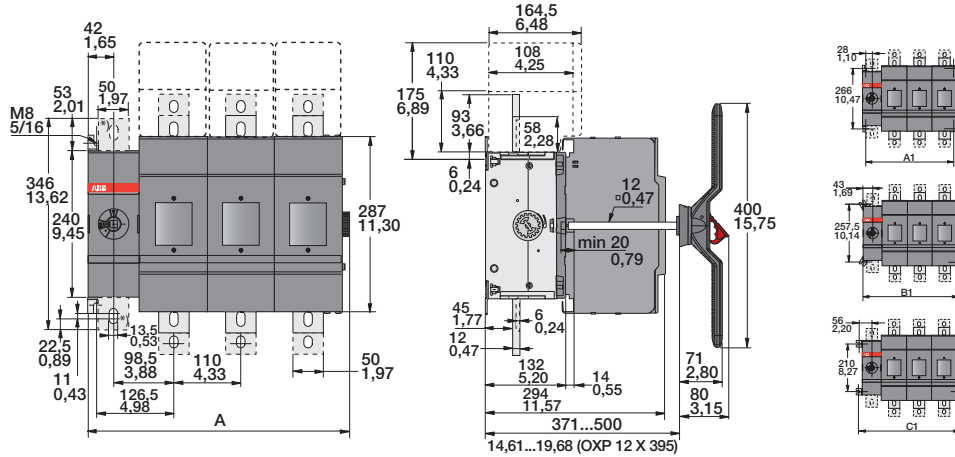




Front operated switch fuses Dimension drawings

OS 1250_P

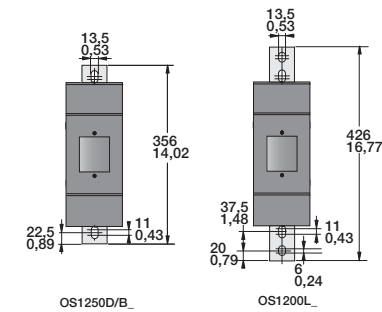
Mechanism at the end of the switch fuse



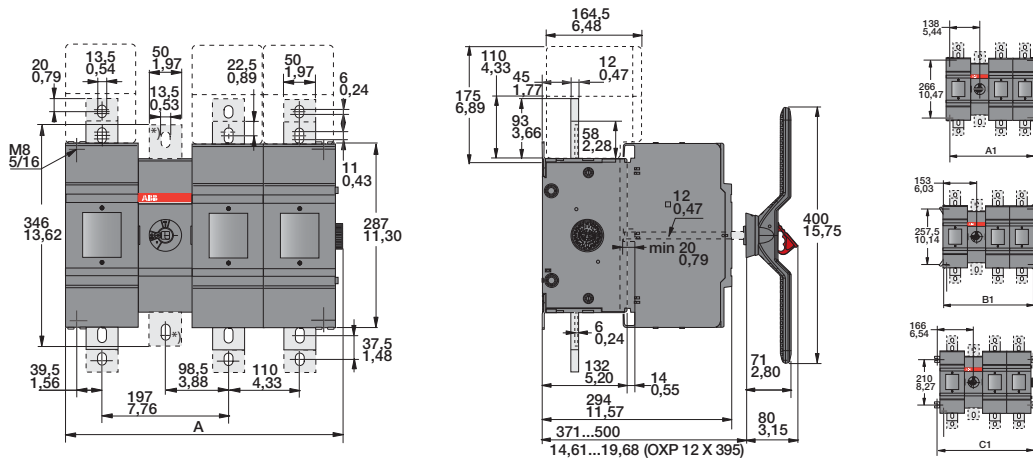
*) N3- types

M00207/OS1200-1250_01-04 A

OS1200/1250				
	D/L / B01	D/L / B02	D/L / B03	D/L / B04
	mm / in	mm / in	mm / in	mm / in
A	209 / 8,23	319 / 12,56	429 / 16,89	539 / 21,22
A1	166 / 6,54	276 / 10,87	386 / 15,20	496 / 19,53
B1	196 / 7,72	306 / 12,05	416 / 16,38	526 / 20,71
C1	222 / 8,74	332 / 13,07	442 / 17,40	552 / 21,73



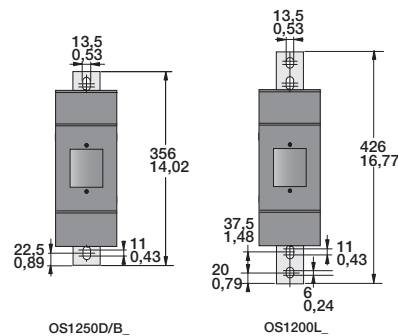
Mechanism between the poles



*) N3- types

M00208/OS1200-1250_11-22 A

OS1200/1250				
	D/L / B11	D/L / B12	D/L / B13	D/L / B22
	mm / in	mm / in	mm / in	mm / in
A	322 / 12,68	432 / 17,01	542 / 21,34	542 / 21,34
A1	276 / 10,87	386 / 15,20	496 / 19,53	496 / 19,53
B1	306 / 12,05	416 / 16,38	526 / 20,71	526 / 20,71
C1	322 / 13,07	442 / 17,40	552 / 21,73	552 / 21,73

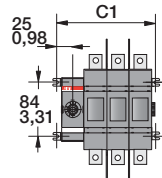
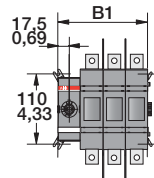
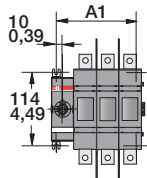
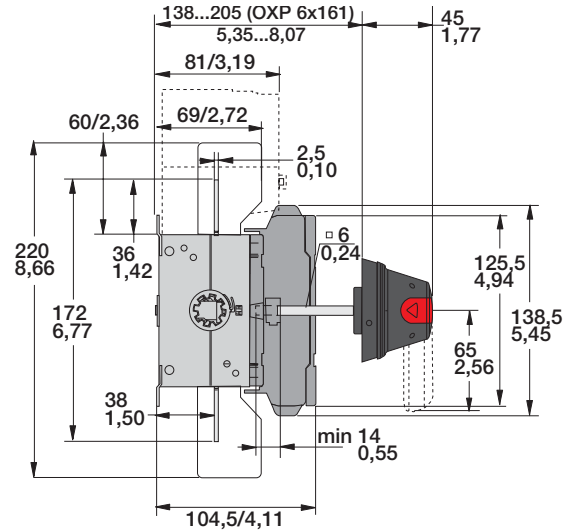
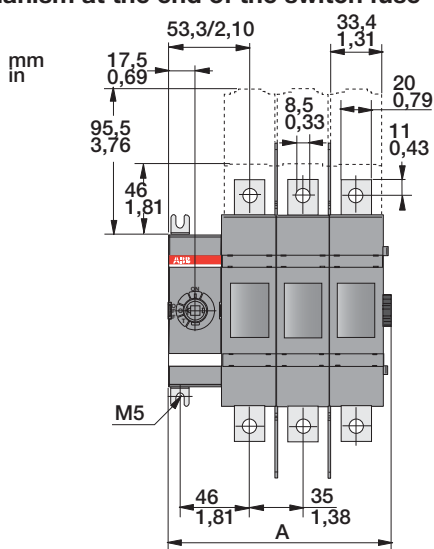




Front operated switch fuses Dimension drawings

OS100GJ_

Mechanism at the end of the switch fuse

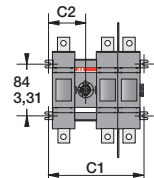
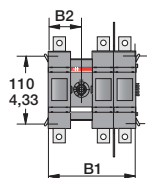
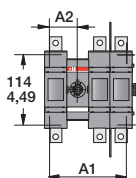
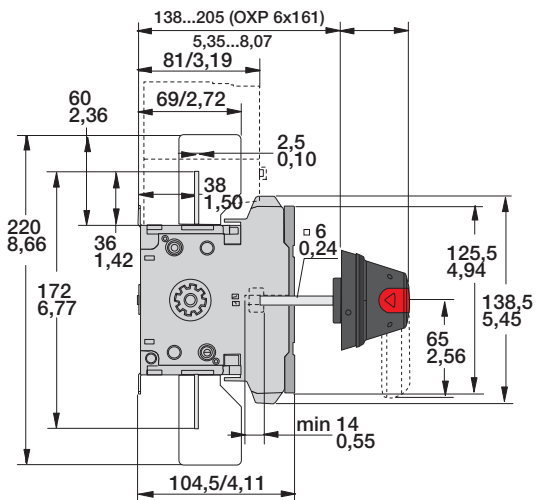
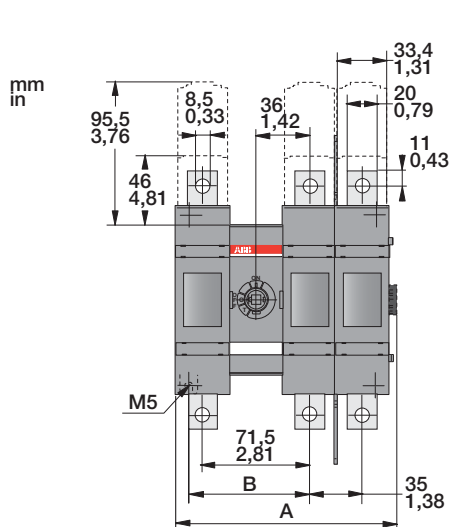


M00291/OS100GJ01-04

OS100GJ			
	mm / in	mm / in	mm / in
J01			
J02			
J03			
J04			
A	76,5/3,01	111,5/4,39	146,5/5,77
A1	55/2,17	90/3,54	125/4,92
B1	70/2,76	105/4,13	140/5,51
C1	85/3,35	120/4,72	155/6,10

The measurements in the dimension drawings are preliminary and may be altered.

Mechanism between the poles



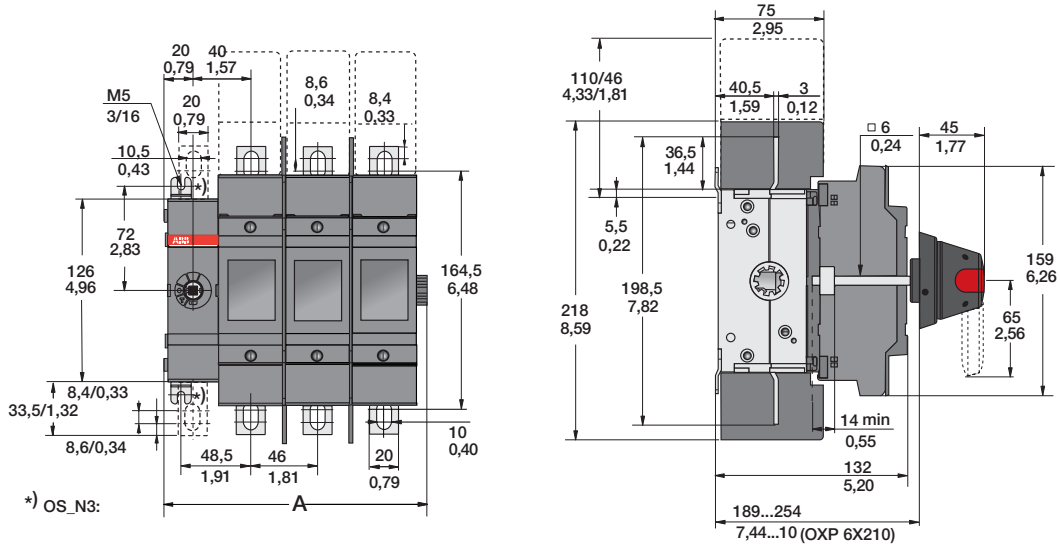
M00292/OS100GJ11-22

OS100GJ			
	mm / in	mm / in	mm / in
J11			
J12			
J13			
J22			
A	113/4,45	148/5,83	183/7,20
B	81/3,19	81/3,19	81/3,19
A1	90/3,54	125/4,92	160/6,30
A2	45/1,77	45/1,77	45/1,77
B1	105/4,13	140/5,51	175/6,89
B2	52,5/2,07	52,5/2,07	52,5/2,07
C1	120/4,72	155/6,10	190/7,48
C2	60/2,36	60/2,36	60/2,36



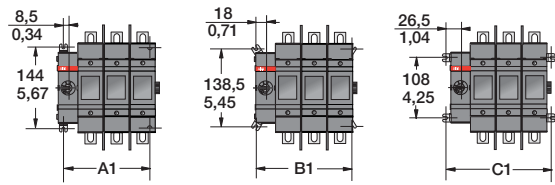
Front operated switch fuses Dimension drawings

OS 200J

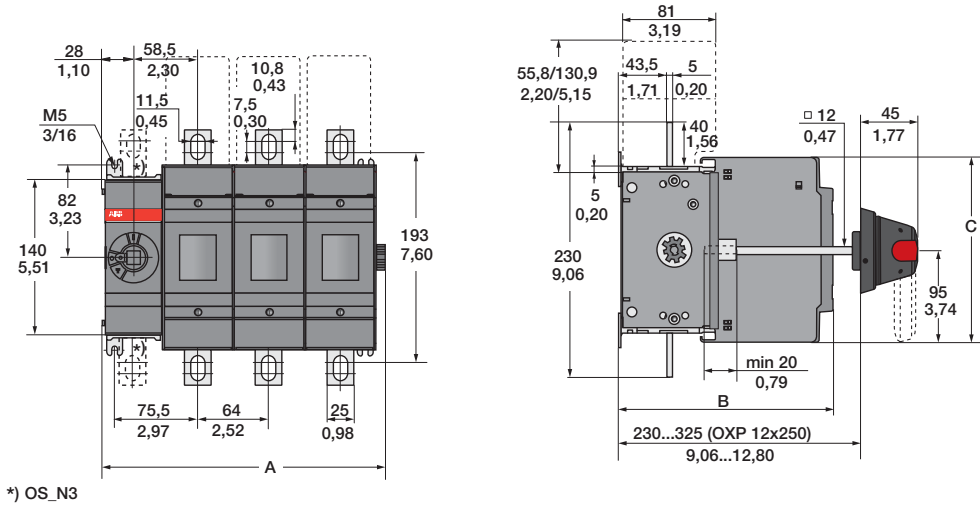


M00001/OS200J01_04 H

	OS200J01	OS200J02	OS200J03	OS200J04
	mm/in		mm/in	
A	89.5 / 3.52	135.5 / 5.34	181.5 / 7.15	227.5 / 8.96
A1	69.5 / 2.38	106.5 / 4.19	152.5 / 6.00	198.5 / 7.82
B1	79.5 / 3.13	125.5 / 4.94	171.5 / 6.75	217.5 / 8.56
C1	96.5 / 3.80	142.5 / 5.61	188.5 / 7.42	234.5 / 9.23



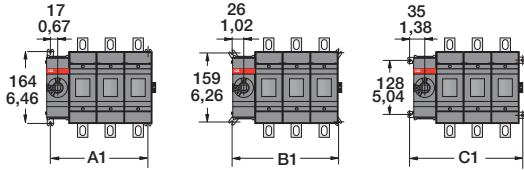
OS 400J



C000012 / OS315_400_01_04 B

	OS315 - 400				OS400							
	B01	B02	B03	B04	D01	D02	D03	D04	J01	J02	J03	J04
	mm	mm	mm	mm	mm	mm	mm	mm	mm/in	mm/in	mm/in	mm/in
A	127	191	265	319	127	191	255	319	127/5.00	191/7.52	255/10.04	319/12.56
B	176	176	176	193	193	193	193	193	176/6.93	176/6.93	176/6.93	176/6.93
C	194	194	194	166	166	166	166	166	194/7.64	194/7.64	194/7.64	194/7.64

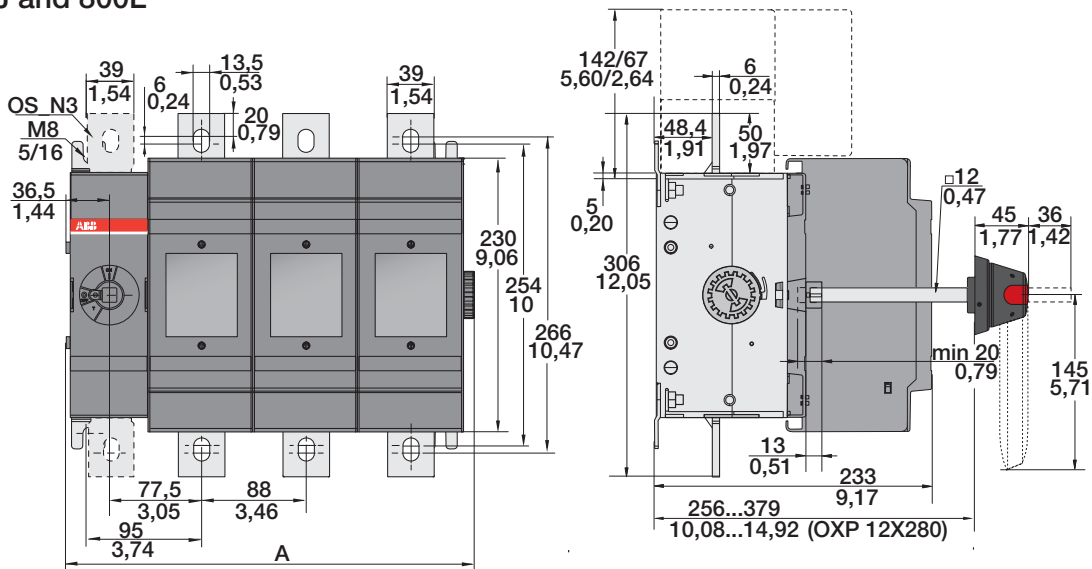
	OS315				OS400			
	B01	B02	B03	B04	B01/D01/J01	B02/D02/J02	B03/D03/J03	B04/D04/J04
	mm	mm	mm	mm	mm/in	mm/in	mm/in	mm/in
A1	98.5	162.5	226.5	290.5	98.5/3.88	162.5/6.40	226.5/8.92	290.5/11.44
B1	116.5	180.5	244.5	308.5	116.5/4.59	180.5/7.11	244.5/9.63	308.5/12.15
C1	134.5	198.5	262.5	326.5	134.5/5.30	198.5/7.81	262.5/10.33	326.5/12.85





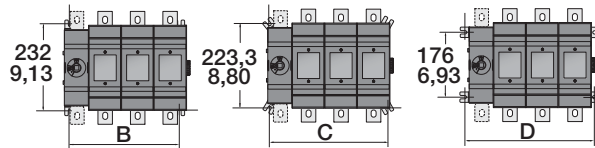
Front operated switch fuses Dimension drawings

OS 600J and 800L

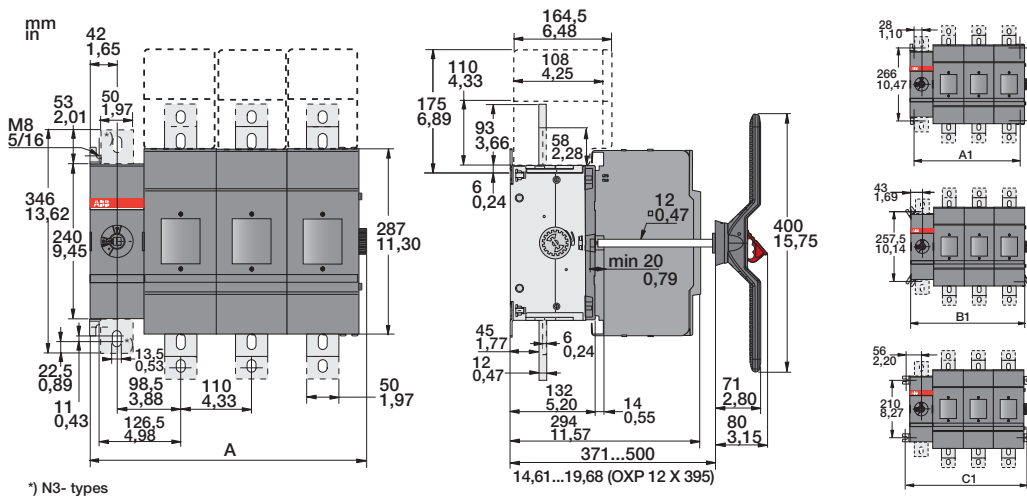


M00097 / OS 600-800_01-04 B

	D/B/J/L01	D/B/J/L02	D/B/J/L03	D/B/J/L04
A	167/6,57	255/10,04	343/13,50	431/16,97
B	120/4,72	208/8,19	296/11,65	384/15,12
C	150/5,91	238/9,37	326/12,83	414/16,30
D	176/6,93	264/10,39	352/13,86	440/17,32



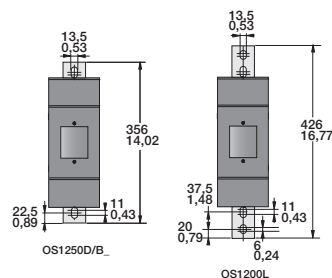
OS 1200L



*) N3- types

M00207/OS1200-1250_01-04 A

OS1200				
	D/L /B01	D/L /B02	D/L /B03	D/L /B04
	mm / in	mm / in	mm / in	mm / in
A	209 / 8,23	319 / 12,56	429 / 16,89	539 / 21,22
A1	166 / 6,54	276 / 10,87	386 / 15,20	496 / 19,53
B1	196 / 7,72	306 / 12,05	416 / 16,38	526 / 20,71
C1	222 / 8,74	332 / 13,07	442 / 17,40	552 / 21,73

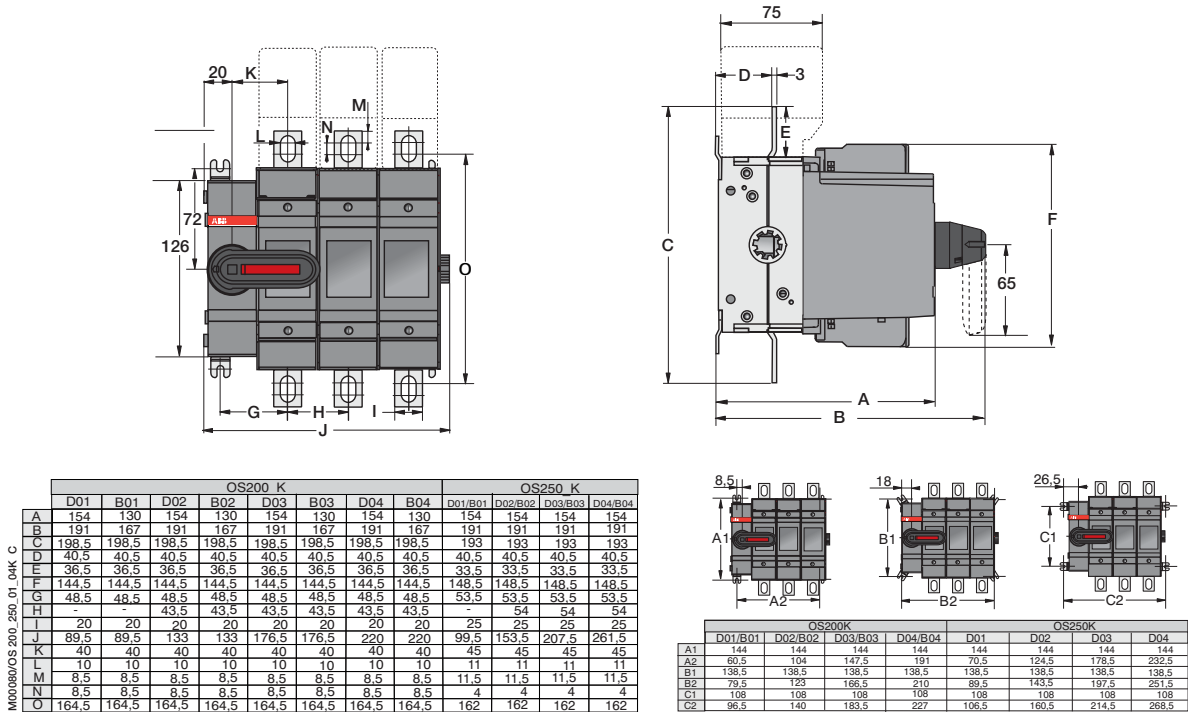




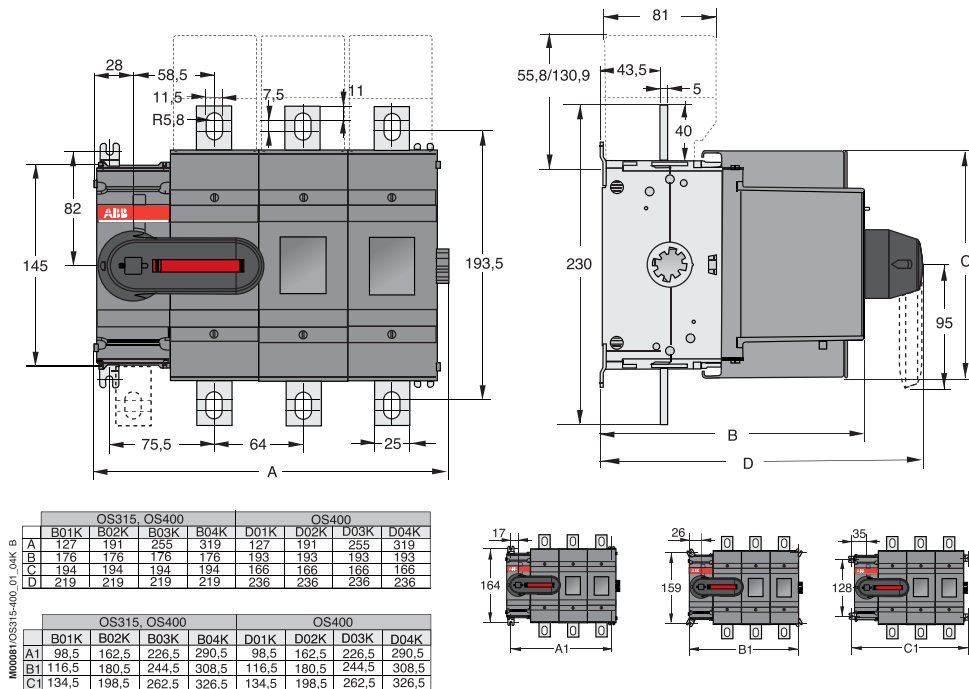
Front operated switch fuses with direct mounted handles

Dimensional drawings

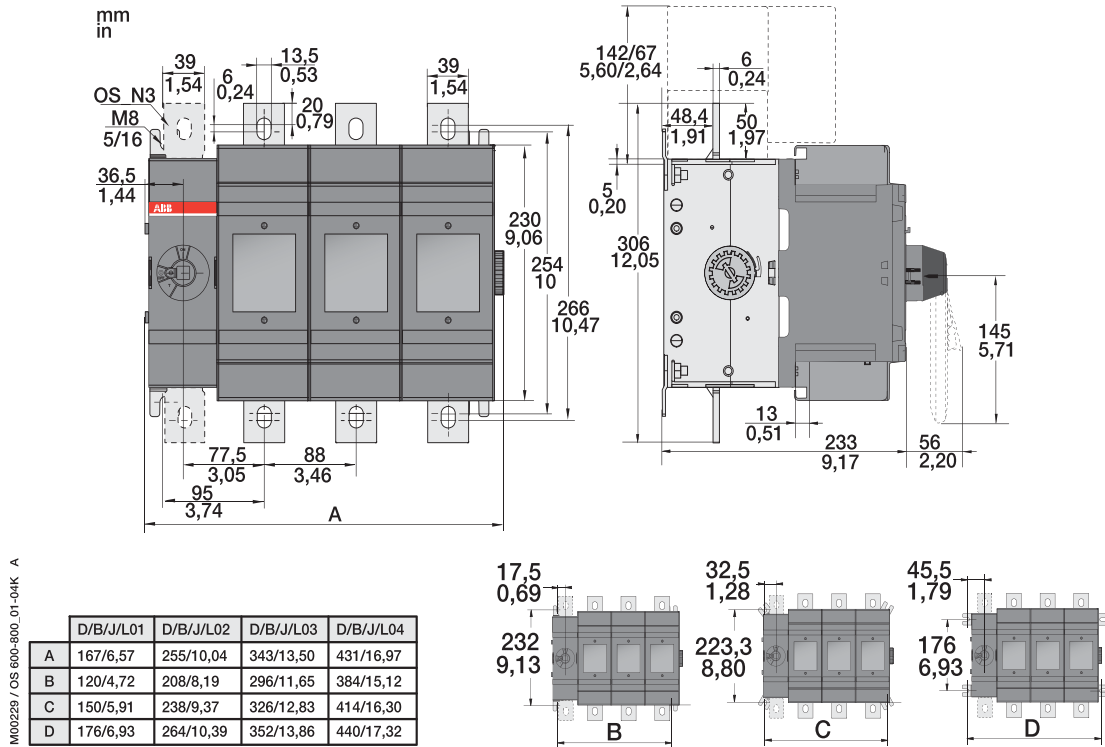
OS 200_K and OS 250_K



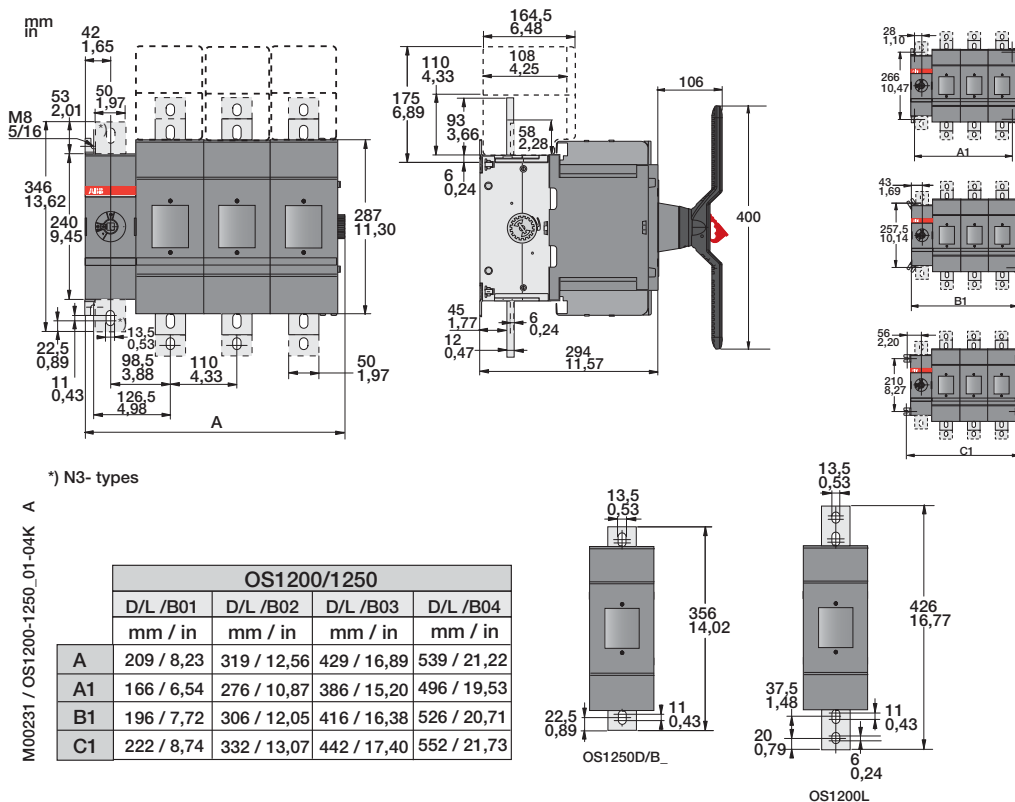
OS 315_K and OS 400_K



OS 600/630_K and OS 800_K



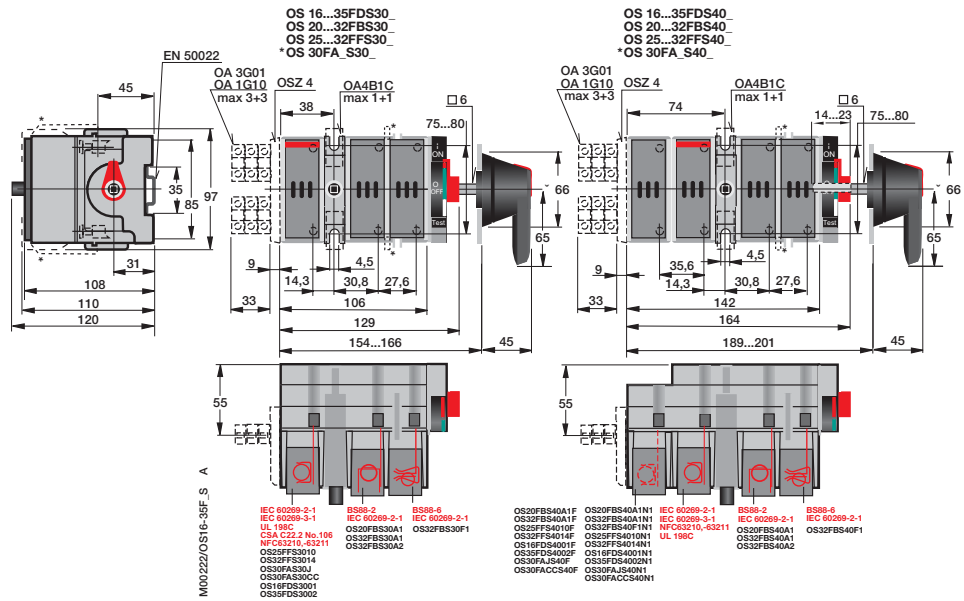
OS 1200/1250_K



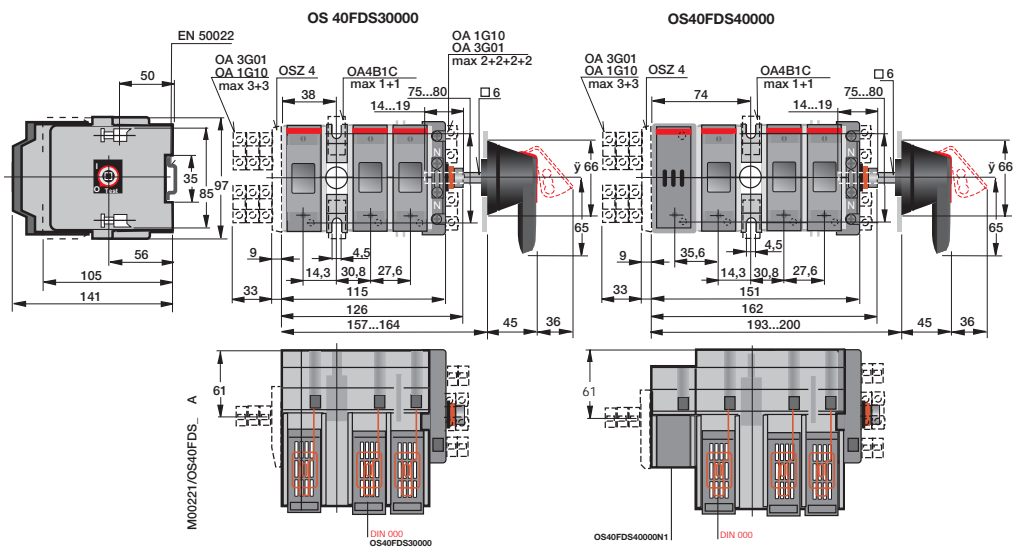


Side operated switch fuses Dimension drawings

OS Mini



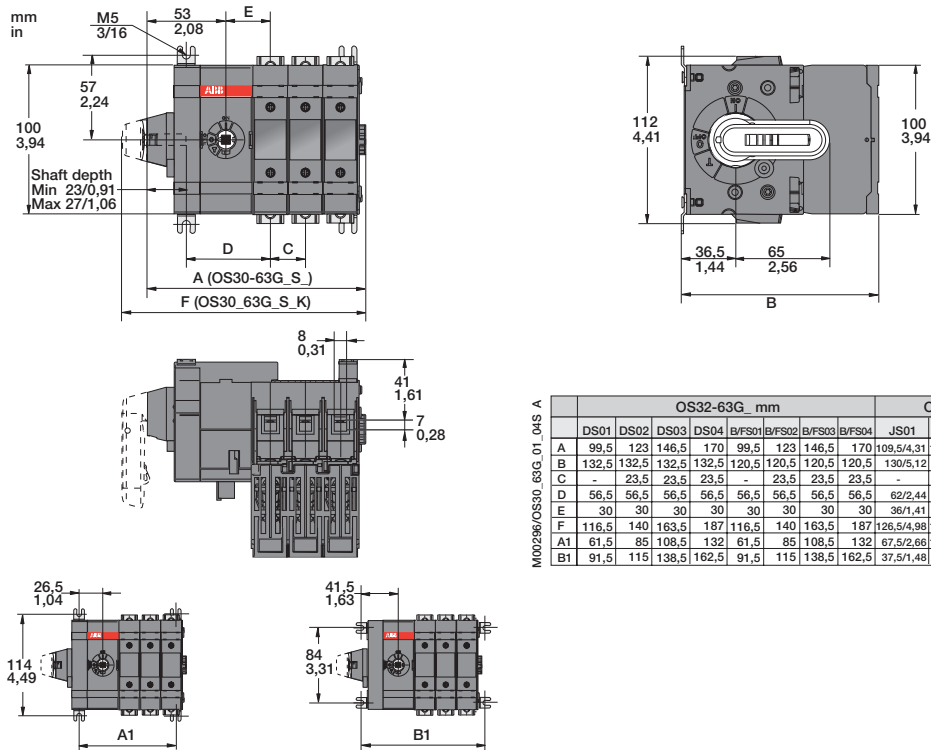
OS 40 Mini



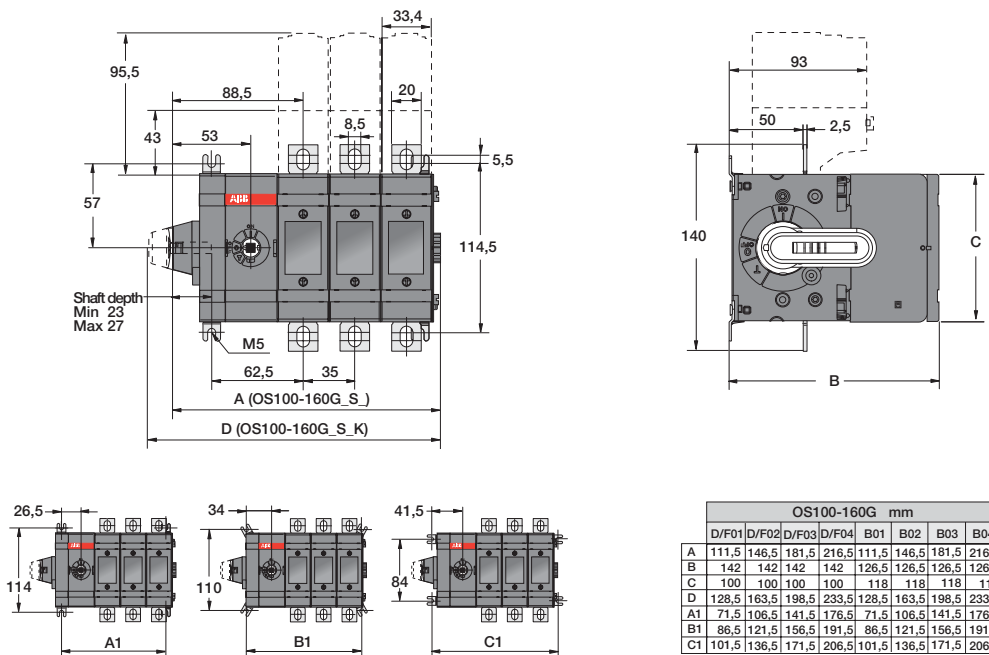


Side operated switch fuses Dimension drawings

OS32G...63G_S_



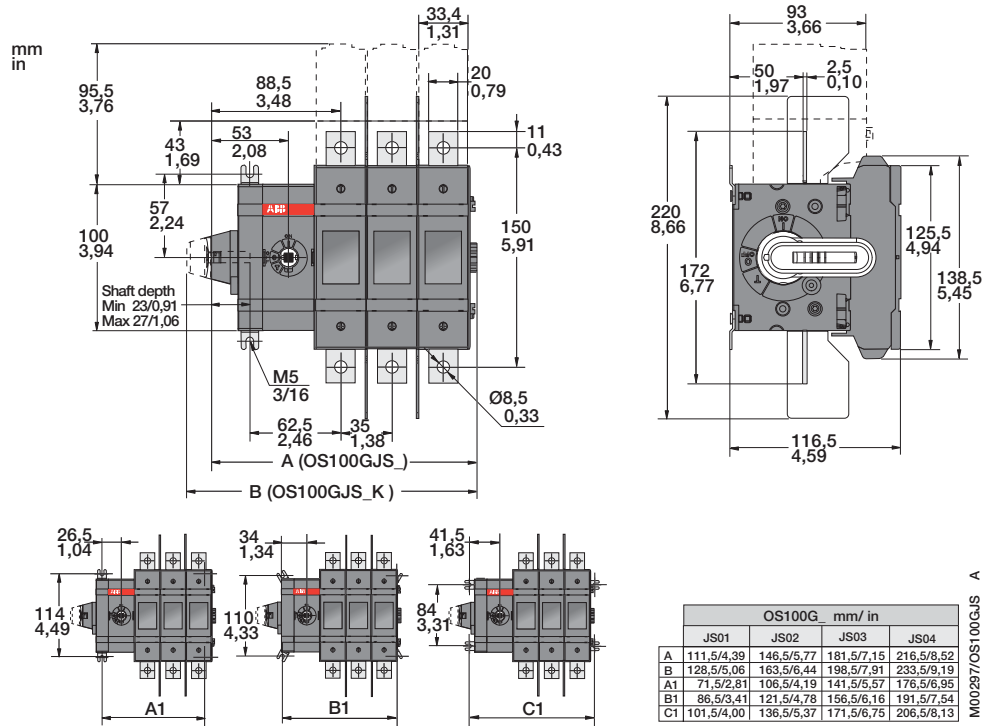
OS100G...160G_S_



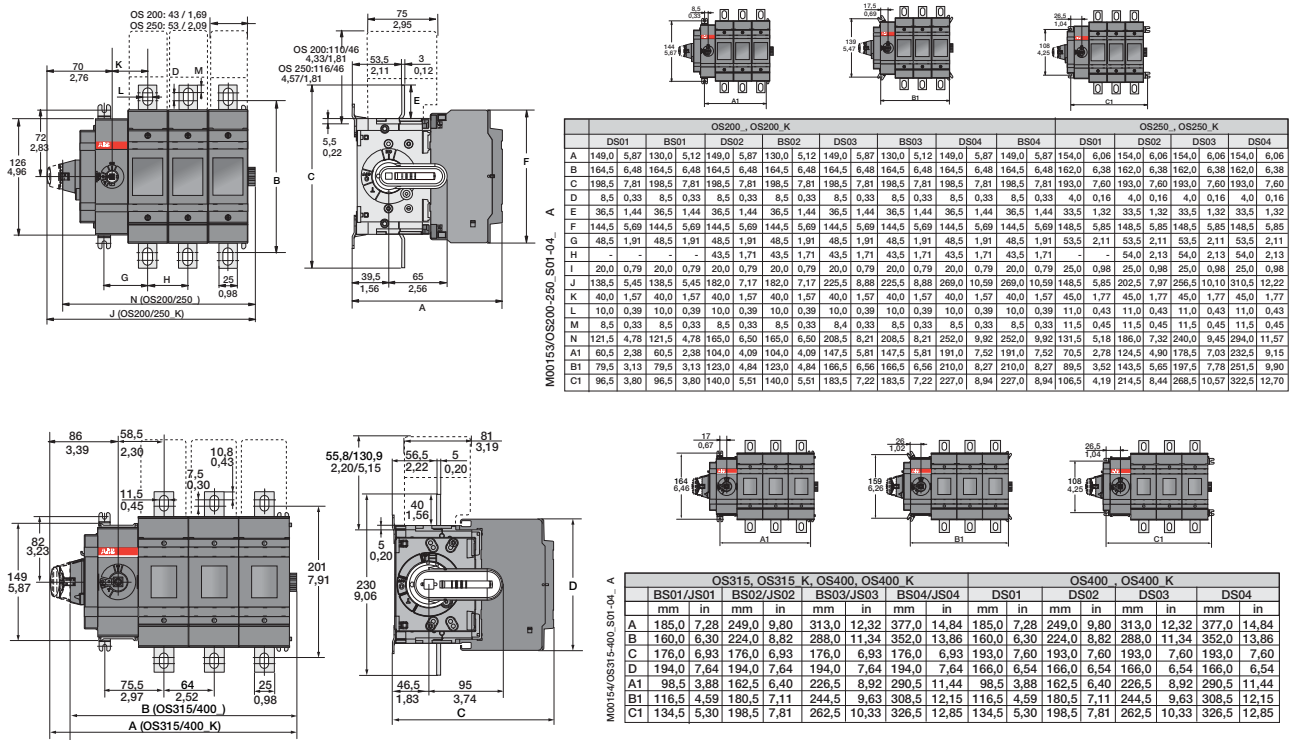


Side operated switch fuses with direct mounted handles Dimension drawings

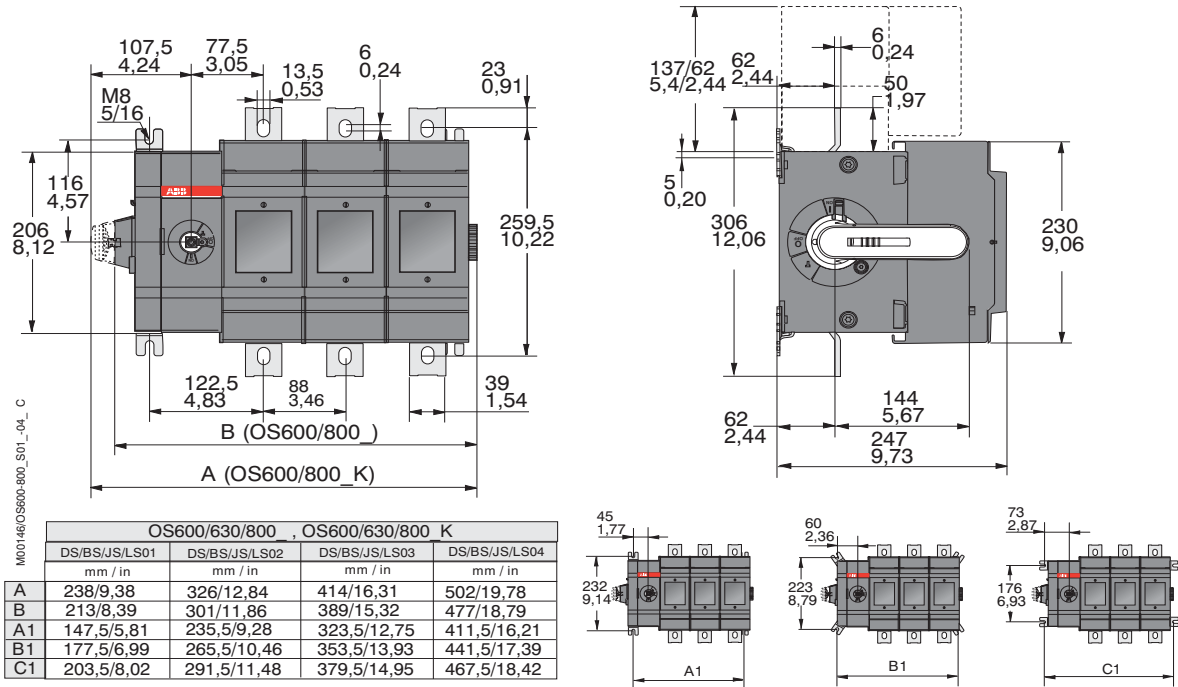
OS100GJS



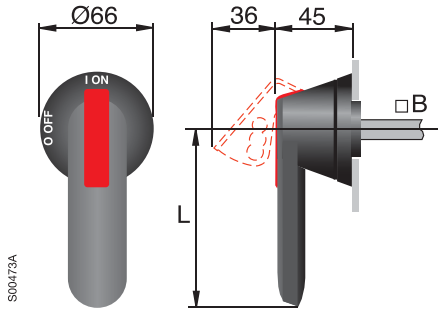
OS 200...400_K



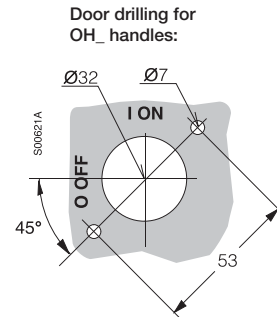
OS 630_K and OS 800_K



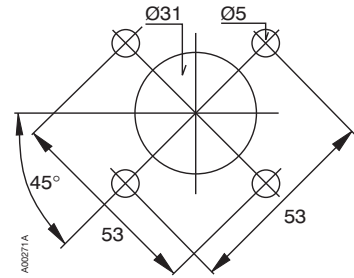
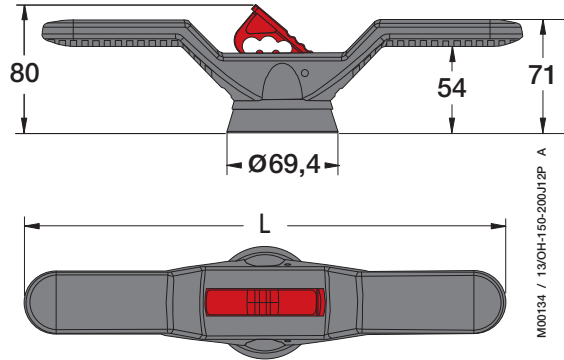
Plastic handles



Type	L handle length	B shaft diameter
OH_45J6	45	6
OH_65J6	65	6
OH_95J12	95	12
OH_125J12	125	12
OH_145J12	145	12
OH_175J12	175	12
OH_275J12	275	12

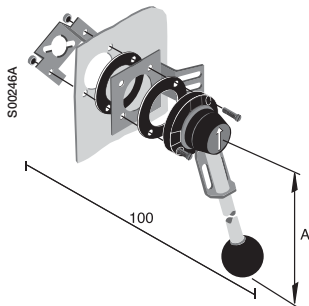


Handle type	L
OHB150J12P	300
OHB200J12P	400

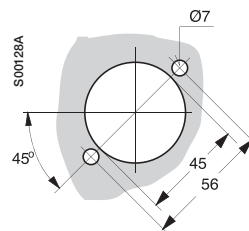


Metallic handles

YASDA 7, 8, 21 (A=220)
YASDA 6, 35 (A=320)

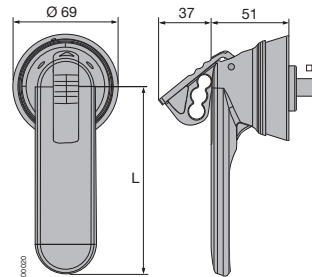


Door drilling for YASDA:

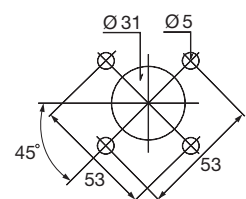


Stainless steel handles

OHM_

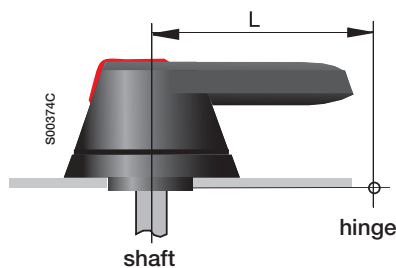


Door drilling for OHM_



Handle type	OHM65L6	OHM125L12	OHM175L12	OHM275L12
L	65	125	175	275
B	6	12	12	12

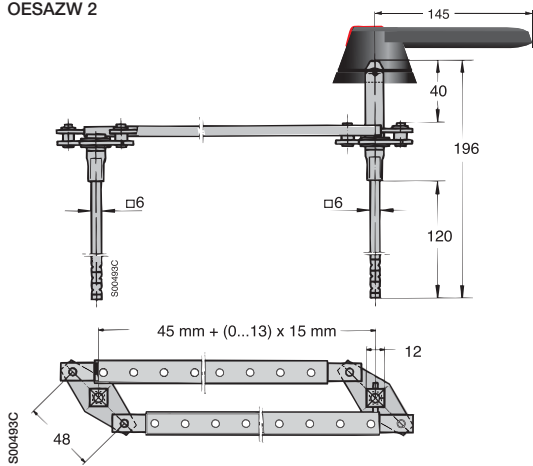
Minimum distance L between the hinge and the rotating shaft



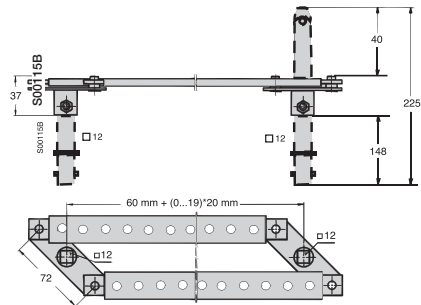
Sizes [A]	L [mm]	Suitable handles
30...250	60	OH_65J_
315...400	95	OH_95J_
630...800	150	OH_125J_, OH_145J_
630...800	175 275	OH_175J_ OH_275J_
630...800	220	YASDA7, 8

6 and 8-pole switch fuses

OESAZW 2

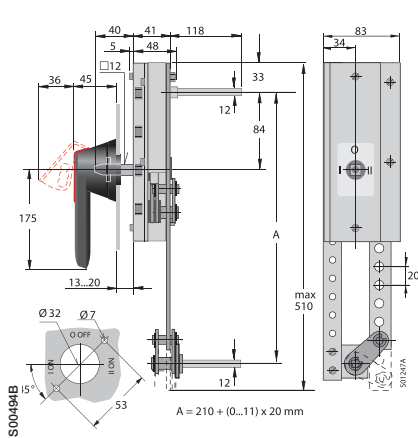


OETLZW 9

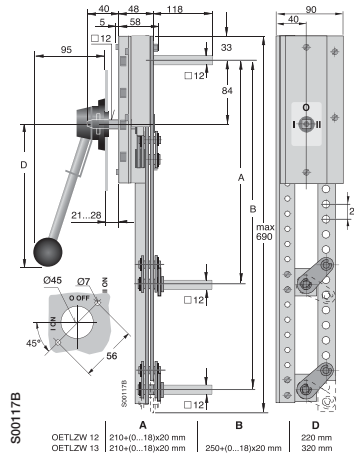


Change-over and by-pass switch fuses

OETLZW11

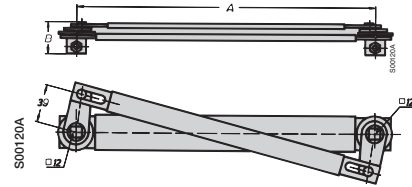


OETLZW12, 13



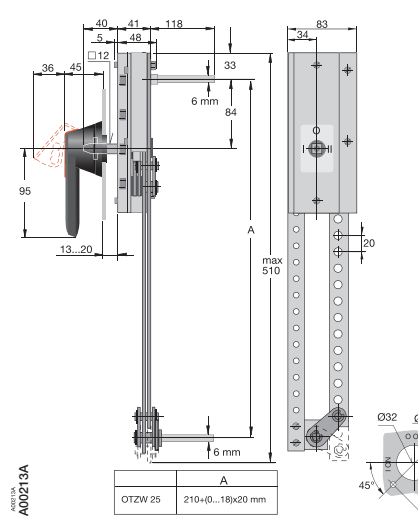
Mechanical interlock

OETLZW 3, 14, 15

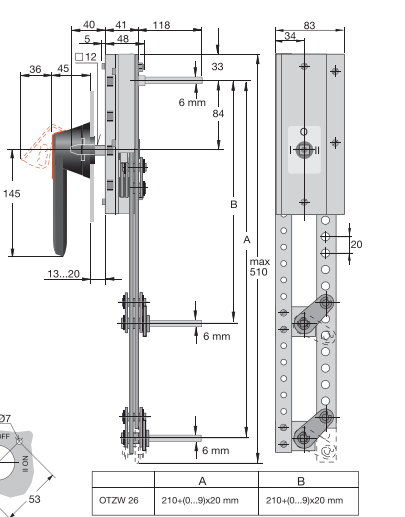


OETLZW 3: A= 300, B= 31
 OETLZW 14: A= 250, B= 31
 OETLZW 15: A0=500, B= 36

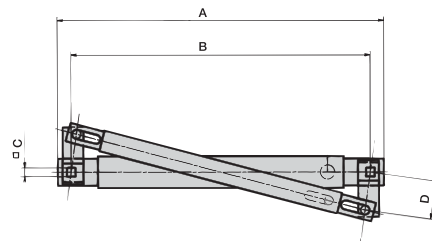
OTZW 25



OTZW 26



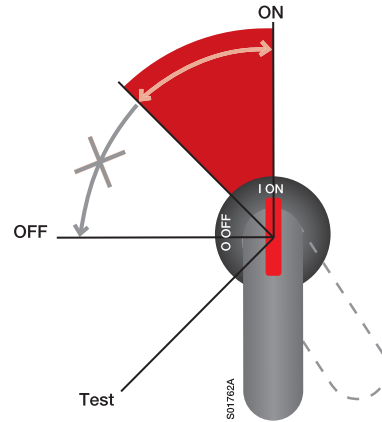
OTZW 10, OTZW 24



Type	A	B	C	D
OTZW10	206	190	6	30
OTZW24	114	100	5	25

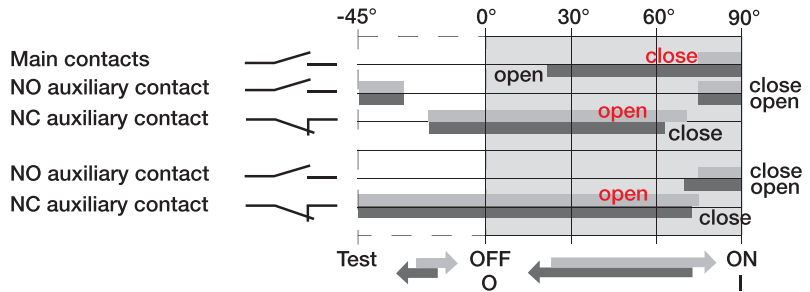
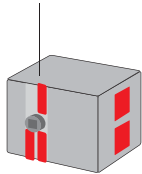
Handle indications and functions

- The handle indicates the position of the contacts with complete reliability in all situations.
If the contacts are welded together, the handle doesn't reach the OFF-position but remains between ON and OFF, maintaining the door interlock and padlocking is not possible to do.
- When operating the switch fuse to the Test-position with a test handle the test auxiliary contacts change position. The main contacts remain open.



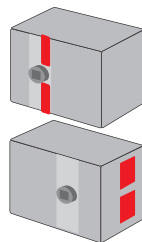
ON and OFF-functions of main and auxiliary contacts

Places of auxiliary contacts and Test ind.



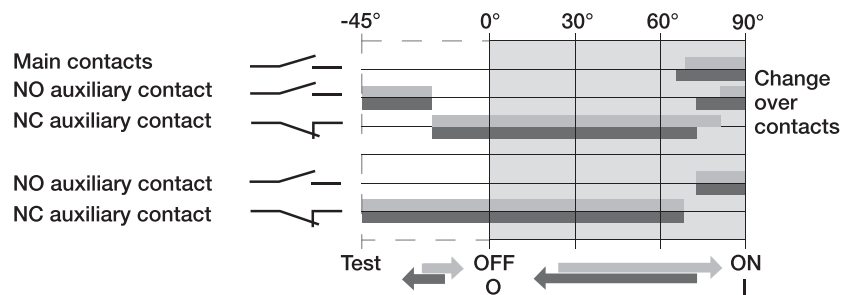
ON and OFF-functions of main and auxiliary contacts

OS mini



OA4B1C
OA4B1C

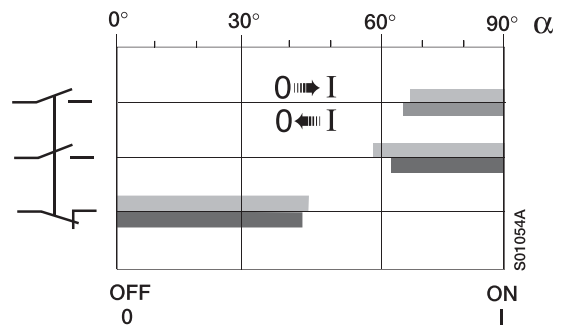
OA1G10
OA3G01



OS Mini

MCB-10
+ OESAZX 169 1 NO
MCB-01
+ OESAZX 169 1 NC

Main contacts
NO auxiliary contact
NC auxiliary contact

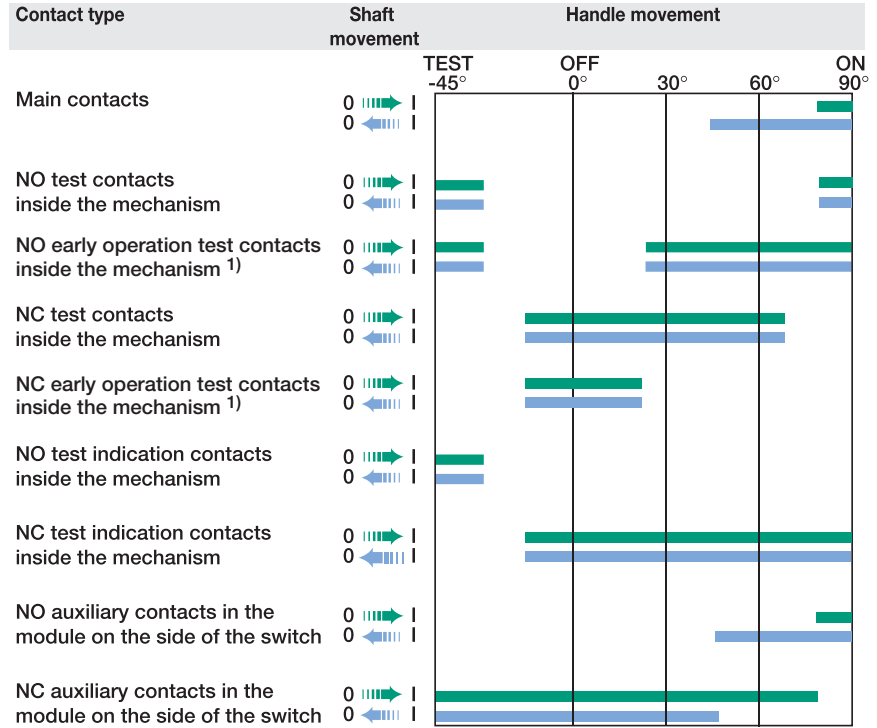




Switch fuses Contact functions

ON and OFF-functions of main and auxiliary contacts OS32G...1250

Auxiliary contact	Contact configuration
OA1G10	1NO
OA3G01	1NC



¹⁾ OS1200...1250 only



Index

Type	Order number	Page	Description	Type	Order number	Page	Description
MCB-01	1SCA022150R5370	34	Auxiliary contact	OHB45J6T	1SCA109870R1001	30	Handle
MCB-10	1SCA022150R5110	34	Auxiliary contact	OHB65J6	1SCA022380R9660	30	Handle
OA1G10	1SCA022353R4970	34	Auxiliary contact	OHB65J6E00S	1SCA022382R9850	31	Handle
OA1G10	1SCA022353R4970	35	Auxiliary contact	OHB65J6T	1SCA022399R8110	30	Handle
OA1G10AU	1SCA022436R7910	34	Auxiliary contact	OHB65J6TE00S	1SCA109016R1001	31	Handle
OA1G10AU	1SCA022436R7910	35	Auxiliary contact	OHB95J12	1SCA022381R0830	30	Handle
OA3G01	1SCA022456R7410	34	Auxiliary contact	OHB95J12T	1SCA022736R1750	30	Handle
OA3G01	1SCA022456R7410	35	Auxiliary contact	OHBS5	1SCA109015R1001	31	Direct mounted handle
OA3G01AU	1SCA022819R5260	34	Auxiliary contact	OHG125J12	1SCA022381R1640	30	Handle
OA3G01AU	1SCA022819R5260	35	Auxiliary contact	OHG145J12	1SCA022381R2290	30	Handle
OA4B01	1SCA022276R9210	34	Auxiliary contact	OHG175J12	1SCA022381R2610	30	Handle
OA4B10	1SCA022276R9050	34	Auxiliary contact	OHG45J6	1SCA022380R8850	30	Handle
OA4B1C	1SCA022193R0150	34	Auxiliary contact	OHG65J6	1SCA022380R9740	30	Handle
OEA28	1SCA022714R8810	35	Auxiliary contact	OHG65J6E00S	1SCA022383R4510	31	Handle
OESAZG5	1SCA022057R1380	37	Solid link	OHG65J6T	1SCA022456R9620	30	Handle
OESAZG98	1SCA022354R9650	37	Solid link	OHG65J6TE00S	1SCA109014R1001	31	Handle
OESAZK98	1SCA022067R7370	37	Solid link	OHG95J12	1SCA022381R0910	30	Handle
OESAZL79	1SCA022067R7110	37	Solid link	OHM125L12	1SCA022739R1150	30	Handle
OESAZS175	1SCA022354R9570	37	Solid link	OHM175L12	1SCA022739R1230	30	Handle
OESAZS36	1SCA022044R4600	37	Solid link	OHM275L12	1SCA022832R4840	30	Handle
OESAZW2	1SCA022078R1600	41	Conversion kit	OHM65L6	1SCA022739R1070	30	Handle
OESAZX160	1SCA022186R3960	36	Neutral link	OHY125J12	1SCA022381R1720	30	Handle
OESAZX162	1SCA022193R0400	36	Neutral link	OHY125J12T	1SCA022652R2310	30	Handle
OESAZX164	1SCA022202R9520	36	Neutral link	OHY145J12	1SCA022381R2370	30	Handle
OESAZX165	1SCA022202R9790	36	Neutral link	OHY145J12T	1SCA022652R2650	30	Handle
OESAZX169	1SCA022196R9360	34	Mounting frame for auxiliary contacts	OHY150J12P	1SCA101586R1001	30	Handle
OESAZX171	1SCA022197R2580	36	Neutral link	OHY175J12	1SCA022381R2700	30	Handle
OETLZK19	1SCA022093R1850	33	Adapter for extension socket	OHY200J12P	1SCA101587R1001	30	Handle
OETLZW11	1SCA022078R0030	41	Conversion kit	OHY200J12PT	1SCA111512R1001	30	Handle
OETLZW12	1SCA022078R0200	41	Conversion kit	OHY45J6	1SCA022380R8930	30	Handle
OETLZW13	1SCA022078R0460	41	Conversion kit	OHY65J6	1SCA022380R9820	30	Handle
OETLZW14	1SCA022077R3410	41	Conversion kit	OHY65J6E00S	1SCA022382R9930	31	Handle
OETLZW15	1SCA022081R9340	41	Conversion kit	OHY65J6T	1SCA022456R9540	30	Handle
OETLZW16	1SCA022095R2070	44	Cam attachment	OHY65J6TE00S	1SCA022688R0140	31	Handle
OETLZW3	1SCA022049R0380	41	Conversion kit	OHY95J12	1SCA022381R1050	30	Handle
OETLZW5	1SCA022052R3900	44	Cam attachment	OHY95J12T	1SCA022736R1910	30	Handle
OETLZW9	1SCA022061R3300	41	Conversion kit	OHZX14	1SCA022851R6590	31	Extension ring for pistol type handles
OETLZX95	1SCA022083R5620	33	Shaft extension socket	OS100GB03K	1SCA116747R1001	17	Front operated switch fuse
OEZNL1	1SCA022723R7400	37	Solid link	OS100GB03P	1SCA114613R1001	15	Front operated switch fuse
OEZNL10	1SCA116437R1001	37	Solid link	OS100GB04N1K	1SCA116748R1001	17	Front operated switch fuse
OEZNL8	1SCA113998R1001	37	Solid link	OS100GB04N1P	1SCA114614R1001	15	Front operated switch fuse
OFAE 504	1SCA022007R6880	31	Fuse replacement handle	OS100GB12P	1SCA114586R1001	15	Front operated switch fuse
OFAE 505	2CMA125276R1000	31	Fuse replacement handle	OS100GB22N1P	1SCA114602R1001	15	Front operated switch fuse
OFAW00	1SCA022003R9680	37	Solid link	OS100GBS30	1SCA116758R1001	23	Side operated switch fuse
OFAW1	1SCA022003R9760	37	Solid link	OS100GBS40N1	1SCA116759R1001	23	Side operated switch fuse
OFAW2	1SCA022003R9840	37	Solid link	OS100GBS40N2	1SCA116760R1001	23	Side operated switch fuse
OFAW3	1SCA022003R9920	37	Solid link	OS100GJ03P	1SCA114639R1001	19	Front operated switch fuse
OFM260	1SCA022459R8560	43	Electronic fuse monitor	OS100GJ04FP	1SCA115439R1001	19	Front operated switch fuse
OFM690	1SCA022459R8480	43	Electronic fuse monitor	OS100GJ04N1P	1SCA115909R1001	19	Front operated switch fuse
OFMZX2	1SCA022475R9910	43	Mounting accessory for fuse monitor	OS100GJ12P	1SCA115666R1001	19	Front operated switch fuse
OFS260	1SCA022716R0180	43	Electronic fuse monitor	OS100GJ22FP	1SCA114636R1001	19	Front operated switch fuse
OFS690	1SCA022715R9920	43	Electronic fuse monitor	OS100GJ22N1P	1SCA115910R1001	19	Front operated switch fuse
OHB125J12	1SCA022381R1560	30	Handle	OS100GJS30	1SCA115971R1001	26	Side operated switch fuse
OHB125J12T	1SCA022652R2220	30	Handle	OS100GJS30K	1SCA115942R1001	26	Side operated switch fuse
OHB145J12	1SCA022381R2110	30	Handle	OS100GJS40F	1SCA115972R1001	26	Side operated switch fuse
OHB145J12E00S	1SCA022679R9700	31	Handle	OS100GJS40FK	1SCA115943R1001	26	Side operated switch fuse
OHB145J12T	1SCA022652R2570	30	Handle	OS100GJS40N1	1SCA116764R1001	26	Side operated switch fuse
OHB150J12P	1SCA022652R9430	30	Handle	OS100GJS40N2	1SCA116765R1001	26	Side operated switch fuse
OHB175J12	1SCA022381R2450	30	Handle	OS1200L03P	1SCA105468R1001	20	Front operated switch fuse
OHB175J12T	1SCA022708R0740	30	Handle	OS1250B03K	1SCA108715R1001	17	Front operated switch fuse
OHB200J12P	1SCA022865R9510	30	Handle	OS1250B03N3P	1SCA107936R1001	16	Front operated switch fuse
OHB200J12PT	1SCA106510R1001	30	Handle	OS1250B03P	1SCA105250R1001	16	Front operated switch fuse
OHB4	1SCA022439R4050	31	Direct mounted handle	OS1250B04N2K	1SCA108717R1001	17	Front operated switch fuse
OHB45J6	1SCA022380R8770	30	Handle	OS1250B04N2P	1SCA105469R1001	16	Front operated switch fuse
				OS1250B12P	1SCA105470R1001	16	Front operated switch fuse



Index

Type	Order number	Page	Description	Type	Order number	Page	Description
OS1250B22N2P	1SCA107937R1001	16	Front operated switch fuse	OS160GD04FK	1SCA116880R1001	14	Front operated switch fuse
OS1250D03K	1SCA108718R1001	14	Front operated switch fuse	OS160GD04FP	1SCA115402R1001	12	Front operated switch fuse
OS1250D03N3P	1SCA107932R1001	13	Front operated switch fuse	OS160GD04N2K	1SCA116743R1001	14	Front operated switch fuse
OS1250D03P	1SCA105475R1001	13	Front operated switch fuse	OS160GD04N2P	1SCA115882R1001	12	Front operated switch fuse
OS1250D04FP	1SCA105473R1001	13	Front operated switch fuse	OS160GD12P	1SCA115643R1001	12	Front operated switch fuse
OS1250D04N2K	1SCA108719R1001	14	Front operated switch fuse	OS160GD22FP	1SCA116855R1001	12	Front operated switch fuse
OS1250D04N2P	1SCA105248R1001	13	Front operated switch fuse	OS160GD22N2P	1SCA115884R1001	12	Front operated switch fuse
OS1250D12P	1SCA105246R1001	13	Front operated switch fuse	OS160GDS30	1SCA115968R1001	21	Side operated switch fuse
OS1250D22N2P	1SCA107933R1001	13	Front operated switch fuse	OS160GDS30K	1SCA115935R1001	21	Side operated switch fuse
OS1250DA03K	1SCA108720R1001	14	Front operated switch fuse	OS160GDS40F	1SCA116757R1001	21	Side operated switch fuse
OS1250DA03N3P	1SCA107934R1001	13	Front operated switch fuse	OS160GDS40N2	1SCA115969R1001	21	Side operated switch fuse
OS1250DA03P	1SCA105238R1001	13	Front operated switch fuse	OS160GDS40N2K	1SCA115939R1001	21	Side operated switch fuse
OS1250DA04FP	1SCA105240R1001	13	Front operated switch fuse	OS16FD1201	1SCA108788R1001	19	Front operated switch fuse
OS1250DA04N2K	1SCA108721R1001	14	Front operated switch fuse	OS16FD2201F	1SCA108993R1001	19	Front operated switch fuse
OS1250DA04N2P	1SCA105243R1001	13	Front operated switch fuse	OS16FD2201N1	1SCA108789R1001	19	Front operated switch fuse
OS1250DA12P	1SCA105241R1001	13	Front operated switch fuse	OS16FDS3001	1SCA108994R1001	26	Side operated switch fuse
OS1250DA22N2P	1SCA107935R1001	13	Front operated switch fuse	OS16FDS4001F	1SCA108996R1001	26	Side operated switch fuse
OS125GB03K	1SCA116751R1001	17	Front operated switch fuse	OS16FDS4001N1	1SCA108995R1001	26	Side operated switch fuse
OS125GB03P	1SCA115634R1001	15	Front operated switch fuse	OS200B03K	1SCA022763R6950	17	Front operated switch fuse
OS125GB04N1K	1SCA116048R1001	17	Front operated switch fuse	OS200B03N3P	1SCA022750R0620	16	Front operated switch fuse
OS125GB04N1P	1SCA115901R1001	15	Front operated switch fuse	OS200B03P	1SCA022709R9330	16	Front operated switch fuse
OS125GB12P	1SCA114603R1001	15	Front operated switch fuse	OS200B04N2K	1SCA022763R7090	17	Front operated switch fuse
OS125GB22N1P	1SCA115903R1001	15	Front operated switch fuse	OS200B04N2P	1SCA022709R9410	16	Front operated switch fuse
OS125GBS30	1SCA116048R1001	23	Side operated switch fuse	OS200B12P	1SCA022721R3210	16	Front operated switch fuse
OS125GBS30K	1SCA116400R1001	23	Side operated switch fuse	OS200B22N2P	1SCA022721R3300	16	Front operated switch fuse
OS125GBS40N1	1SCA115959R1001	23	Side operated switch fuse	OS200BS03	1SCA022860R3810	24	Side operated switch fuse
OS125GBS40N1K	1SCA115926R1001	23	Side operated switch fuse	OS200BS03K	1SCA022860R3990	24	Side operated switch fuse
OS125GBS40N2	1SCA116761R1001	23	Side operated switch fuse	OS200BS04N2	1SCA022870R7510	24	Side operated switch fuse
OS125GD03K	1SCA116878R1001	14	Front operated switch fuse	OS200BS04N2K	1SCA022870R7690	24	Side operated switch fuse
OS125GD03P	1SCA115639R1001	12	Front operated switch fuse	OS200BS30	1SCA022870R7770	24	Side operated switch fuse
OS125GD04FK	1SCA116741R1001	14	Front operated switch fuse	OS200BS30K	1SCA022870R7850	24	Side operated switch fuse
OS125GD04FP	1SCA115686R1001	12	Front operated switch fuse	OS200BS40N2	1SCA022870R8150	24	Side operated switch fuse
OS125GD04N2K	1SCA116740R1001	14	Front operated switch fuse	OS200BS40N2K	1SCA022870R8230	24	Side operated switch fuse
OS125GD04N2P	1SCA115877R1001	12	Front operated switch fuse	OS200D03K	1SCA022764R7130	14	Front operated switch fuse
OS125GD12P	1SCA115641R1001	12	Front operated switch fuse	OS200D03N3P	1SCA022749R8710	13	Front operated switch fuse
OS125GD22FP	1SCA116732R1001	12	Front operated switch fuse	OS200D03P	1SCA022709R9500	13	Front operated switch fuse
OS125GD22N2P	1SCA115880R1001	12	Front operated switch fuse	OS200D04FP	1SCA022725R4750	13	Front operated switch fuse
OS125GDS30	1SCA115966R1001	21	Side operated switch fuse	OS200D04N2K	1SCA022768R7430	14	Front operated switch fuse
OS125GDS30K	1SCA115933R1001	21	Side operated switch fuse	OS200D04N2P	1SCA022709R9680	13	Front operated switch fuse
OS125GDS40F	1SCA116756R1001	21	Side operated switch fuse	OS200D12P	1SCA022721R3050	13	Front operated switch fuse
OS125GDS40N2	1SCA115967R1001	21	Side operated switch fuse	OS200D22N2P	1SCA022721R3130	13	Front operated switch fuse
OS125GDS40N2K	1SCA115934R1001	21	Side operated switch fuse	OS200D30	1SCA022871R0720	22	Side operated switch fuse
OS125GF03P	1SCA115602R1001	18	Front operated switch fuse	OS200DS03K	1SCA022871R0810	22	Side operated switch fuse
OS125GF04FP	1SCA115606R1001	18	Front operated switch fuse	OS200DS04F	1SCA022871R0990	22	Side operated switch fuse
OS125GF04N1P	1SCA115888R1001	18	Front operated switch fuse	OS200DS04FK	1SCA022871R1020	22	Side operated switch fuse
OS125GF12P	1SCA114624R1001	18	Front operated switch fuse	OS200DS30	1SCA022871R1370	22	Side operated switch fuse
OS125GF22FP	1SCA115413R1001	18	Front operated switch fuse	OS200DS30K	1SCA022871R1450	22	Side operated switch fuse
OS125GF22N1P	1SCA115893R1001	18	Front operated switch fuse	OS200DS40F	1SCA022871R1530	22	Side operated switch fuse
OS125GFS30	1SCA115973R1001	25	Side operated switch fuse	OS200DS40FK	1SCA022871R1610	22	Side operated switch fuse
OS125GFS30K	1SCA115944R1001	25	Side operated switch fuse	OS200DZ03P	1SCA022797R3440	13	Front operated switch fuse
OS125GFS40F	1SCA115975R1001	25	Side operated switch fuse	OS200DZ04N2P	1SCA022820R9230	13	Front operated switch fuse
OS125GFS40FK	1SCA115946R1001	25	Side operated switch fuse	OS200DZ12P	1SCA022820R9150	13	Front operated switch fuse
OS125GFS40N1	1SCA115974R1001	25	Side operated switch fuse	OS200J03P	1SCA022709R9760	20	Front operated switch fuse
OS125GFS40N1K	1SCA115945R1001	25	Side operated switch fuse	OS20FB12A1	1SCA108790R1001	15	Front operated switch fuse
OS160GB03K	1SCA116753R1001	17	Front operated switch fuse	OS20FB22A1N1	1SCA108796R1001	15	Front operated switch fuse
OS160GB03P	1SCA115413R1001	15	Front operated switch fuse	OS20FBS0A1	1SCA108997R1001	23	Side operated switch fuse
OS160GB04N1K	1SCA116754R1001	17	Front operated switch fuse	OS20FBS40A1N1	1SCA108998R1001	23	Side operated switch fuse
OS160GB04N1P	1SCA115896R1001	15	Front operated switch fuse	OS250B03K	1SCA022763R6010	17	Front operated switch fuse
OS160GB12P	1SCA115637R1001	15	Front operated switch fuse	OS250B03N3P	1SCA022750R8010	16	Front operated switch fuse
OS160GB22N1P	1SCA115899R1001	15	Front operated switch fuse	OS250B03P	1SCA022750R6660	16	Front operated switch fuse
OS160GBS30	1SCA115960R1001	23	Side operated switch fuse	OS250B04N2K	1SCA022763R6280	17	Front operated switch fuse
OS160GBS30K	1SCA115927R1001	23	Side operated switch fuse	OS250B04N2P	1SCA022750R7800	16	Front operated switch fuse
OS160GBS40N1	1SCA115961R1001	23	Side operated switch fuse	OS250B12P	1SCA022778R9860	16	Front operated switch fuse
OS160GBS40N1K	1SCA115928R1001	23	Side operated switch fuse	OS250B22N2P	1SCA022778R9940	16	Front operated switch fuse
OS160GBS40N2	1SCA116762R1001	23	Side operated switch fuse	OS250BS03	1SCA022860R4370	24	Side operated switch fuse
OS160GD03K	1SCA116742R1001	14	Front operated switch fuse	OS250BS03K	1SCA022860R4450	24	Side operated switch fuse
OS160GD03P	1SCA115399R1001	12	Front operated switch fuse	OS250BS04N2	1SCA022870R8310	24	Side operated switch fuse



Index

Type	Order number	Page	Description	Type	Order number	Page	Description
OS250BS04N2	1SCA022870R8310	24	Side operated switch fuse	OS32GB03K	1SCA116744R1001	17	Front operated switch fuse
OS250BS04N2K	1SCA022870R8400	24	Side operated switch fuse	OS32GB03P	1SCA115259R1001	15	Front operated switch fuse
OS250BS30	1SCA022870R8580	24	Side operated switch fuse	OS32GB04N1K	1SCA116856R1001	17	Front operated switch fuse
OS250BS30K	1SCA022870R8660	24	Side operated switch fuse	OS32GB04N1P	1SCA114610R1001	15	Front operated switch fuse
OS250BS40N2	1SCA022870R8910	24	Side operated switch fuse	OS32GB12P	1SCA115331R1001	15	Front operated switch fuse
OS250BS40N2K	1SCA022870R9040	24	Side operated switch fuse	OS32GB22N1P	1SCA115345R1001	15	Front operated switch fuse
OS250D03K	1SCA022763R6360	14	Front operated switch fuse	OS32GBS30	1SCA115955R1001	23	Side operated switch fuse
OS250D03N3P	1SCA022749R9430	13	Front operated switch fuse	OS32GBS30K	1SCA115918R1001	23	Side operated switch fuse
OS250D03P	1SCA022719R0090	13	Front operated switch fuse	OS32GBS40N1	1SCA115956R1001	23	Side operated switch fuse
OS250D04FP	1SCA022726R8620	13	Front operated switch fuse	OS32GBS40N1K	1SCA115923R1001	23	Side operated switch fuse
OS250D04N2K	1SCA022871R2260	14	Front operated switch fuse	OS32GD03K	1SCA116733R1001	14	Front operated switch fuse
OS250D04N2P	1SCA022719R2380	13	Front operated switch fuse	OS32GD03P	1SCA115189R1001	12	Front operated switch fuse
OS250D12P	1SCA022726R8380	13	Front operated switch fuse	OS32GD04FK	1SCA116737R1001	14	Front operated switch fuse
OS250D22N2P	1SCA022726R8460	13	Front operated switch fuse	OS32GD04FP	1SCA115196R1001	12	Front operated switch fuse
OS250DS03	1SCA022860R3050	22	Side operated switch fuse	OS32GD04N2K	1SCA116734R1001	14	Front operated switch fuse
OS250DS03K	1SCA022860R3130	22	Side operated switch fuse	OS32GD04N2P	1SCA115193R1001	12	Front operated switch fuse
OS250DS04F	1SCA022860R3210	22	Side operated switch fuse	OS32GD12P	1SCA114581R1001	12	Front operated switch fuse
OS250DS04FK	1SCA022860R3300	22	Side operated switch fuse	OS32GD22FP	1SCA115205R1001	12	Front operated switch fuse
OS250DS30	1SCA022871R2180	22	Side operated switch fuse	OS32GD22N2P	1SCA115202R1001	12	Front operated switch fuse
OS250DS30K	1SCA022871R2260	22	Side operated switch fuse	OS32GDS30	1SCA115963R1001	21	Side operated switch fuse
OS250DS40F	1SCA022871R2340	22	Side operated switch fuse	OS32GDS30K	1SCA115929R1001	21	Side operated switch fuse
OS250DS40FK	1SCA022871R2420	22	Side operated switch fuse	OS32GDS40F	1SCA116755R1001	21	Side operated switch fuse
OS25FF1210	1SCA108636R1001	18	Front operated switch fuse	OS32GDS40N1K	1SCA115930R1001	21	Side operated switch fuse
OS25FF2210F	1SCA108637R1001	18	Front operated switch fuse	OS32GDS40N2	1SCA116046R1001	21	Side operated switch fuse
OS25FF2210N1	1SCA108638R1001	18	Front operated switch fuse	OS32GDS40N2K	1SCA116402R1001	21	Side operated switch fuse
OS25FFS3010	1SCA108639R1001	25	Side operated switch fuse	OS35FD1202	1SCA108908R1001	19	Front operated switch fuse
OS25FFS4010F	1SCA108640R1001	25	Side operated switch fuse	OS35FD2202F	1SCA109008R1001	19	Front operated switch fuse
OS25FFS4010N1	1SCA108661R1001	25	Side operated switch fuse	OS35FD2202N1	1SCA108911R1001	19	Front operated switch fuse
OS30FACC12P	1SCA108817R1001	19	Front operated switch fuse	OS35FDS3002	1SCA109009R1001	26	Side operated switch fuse
OS30FACC22FP	1SCA108821R1001	19	Front operated switch fuse	OS35FDS4002F	1SCA109011R1001	26	Side operated switch fuse
OS30FACC30P	1SCA108999R1001	26	Side operated switch fuse	OS35FDS4002N1	1SCA109010R1001	26	Side operated switch fuse
OS30FAJ12P	1SCA108828R1001	19	Front operated switch fuse	OS400B03K	1SCA022763R6790	17	Front operated switch fuse
OS30FAJ22FP	1SCA108831R1001	19	Front operated switch fuse	OS400B03N3P	1SCA022753R9160	16	Front operated switch fuse
OS30FAJS30P	1SCA108838R1001	26	Side operated switch fuse	OS400B03P	1SCA022719R0840	16	Front operated switch fuse
OS315B03K	1SCA022763R6520	17	Front operated switch fuse	OS400B04N2K	1SCA022763R6870	17	Front operated switch fuse
OS315B03N3P	1SCA022753R8940	16	Front operated switch fuse	OS400B04N2P	1SCA022719R2890	16	Front operated switch fuse
OS315B03P	1SCA022719R0680	16	Front operated switch fuse	OS400B12P	1SCA022753R3470	16	Front operated switch fuse
OS315B04N2K	1SCA022763R6610	17	Front operated switch fuse	OS400B22N2P	1SCA022753R7200	16	Front operated switch fuse
OS315B04N2P	1SCA022719R2710	16	Front operated switch fuse	OS400BS03	1SCA022860R5180	24	Side operated switch fuse
OS315B12P	1SCA022753R2310	16	Front operated switch fuse	OS400BS03K	1SCA022860R5260	24	Side operated switch fuse
OS315B22N2P	1SCA022753R3390	16	Front operated switch fuse	OS400BS04N2	1SCA022870R9980	24	Side operated switch fuse
OS315BS03	1SCA022860R4700	24	Side operated switch fuse	OS400BS04N2K	1SCA022871R0050	24	Side operated switch fuse
OS315BS03K	1SCA022860R4880	24	Side operated switch fuse	OS400BS30	1SCA022871R0130	24	Side operated switch fuse
OS315BS04N2	1SCA022870R9120	24	Side operated switch fuse	OS400BS30K	1SCA022871R0210	24	Side operated switch fuse
OS315BS04N2K	1SCA022870R9210	24	Side operated switch fuse	OS400BS40N2	1SCA022871R0560	24	Side operated switch fuse
OS315BS30	1SCA022870R9390	24	Side operated switch fuse	OS400BS40N2K	1SCA022871R0640	24	Side operated switch fuse
OS315BS30K	1SCA022870R9470	24	Side operated switch fuse	OS400D03K	1SCA022779R5410	14	Front operated switch fuse
OS315BS40N2	1SCA022870R9710	24	Side operated switch fuse	OS400D03N3P	1SCA022753R9320	13	Front operated switch fuse
OS315BS40N2K	1SCA022870R9800	24	Side operated switch fuse	OS400D03P	1SCA022719R0250	13	Front operated switch fuse
OS32FB12A1	1SCA108840R1001	15	Front operated switch fuse	OS400D04FP	1SCA022753R7110	13	Front operated switch fuse
OS32FB12A2	1SCA108847R1001	15	Front operated switch fuse	OS400D04N2K	1SCA022763R7250	14	Front operated switch fuse
OS32FB12F1	1SCA108851R1001	15	Front operated switch fuse	OS400D04N2P	1SCA022719R2460	13	Front operated switch fuse
OS32FB22A1N1	1SCA108853R1001	15	Front operated switch fuse	OS400D12P	1SCA022753R3800	13	Front operated switch fuse
OS32FB22A2N1	1SCA108863R1001	15	Front operated switch fuse	OS400D22N2P	1SCA022753R1770	13	Front operated switch fuse
OS32FB22F1N1	1SCA109003R1001	15	Front operated switch fuse	OS400DS03	1SCA022860R3480	22	Side operated switch fuse
OS32FBS30A1	1SCA108877R1001	23	Side operated switch fuse	OS400DS03K	1SCA022860R3560	22	Side operated switch fuse
OS32FBS30A2	1SCA108882R1001	23	Side operated switch fuse	OS400DS04F	1SCA022860R3640	22	Side operated switch fuse
OS32FBS30F1	1SCA109004R1001	23	Side operated switch fuse	OS400DS04FK	1SCA022860R3720	22	Side operated switch fuse
OS32FBS40A1N1	1SCA109006R1001	23	Side operated switch fuse	OS400DS30	1SCA022871R2850	22	Side operated switch fuse
OS32FBS40A2N1	1SCA109007R1001	23	Side operated switch fuse	OS400DS30K	1SCA022871R2930	22	Side operated switch fuse
OS32FBS40F1N1	1SCA109005R1001	23	Side operated switch fuse	OS400DS40F	1SCA022871R3070	22	Side operated switch fuse
OS32FF1214	1SCA108642R1001	18	Front operated switch fuse	OS400DS40FK	1SCA022871R3150	22	Side operated switch fuse
OS32FF2214F	1SCA108643R1001	18	Front operated switch fuse	OS400J03P	1SCA022719R1140	20	Front operated switch fuse
OS32FF2214N1	1SCA108645R1001	18	Front operated switch fuse	OS40FD12000	1SCA108914R1001	12	Front operated switch fuse
OS32FFS3014	1SCA108646R1001	25	Side operated switch fuse	OS40FD22000N1	1SCA108938R1001	12	Front operated switch fuse
OS32FFS4014F	1SCA108647R1001	25	Side operated switch fuse	OS40FDS30000	1SCA108942R1001	21	Side operated switch fuse
OS32FFS4014N1	1SCA108649R1001	25	Side operated switch fuse	OS40FDS30000-N	1SCA109012R1001	21	Side operated switch fuse



Index

Type	Order number	Page	Description	Type	Order number	Page	Description
OS40FDS4000N1	1SCA108954R1001	21	Side operated switch fuse	OS63GD03P	1SCA115207R1001	12	Front operated switch fuse
OS50GF03P	1SCA115492R1001	18	Front operated switch fuse	OS63GD04FK	1SCA116739R1001	14	Front operated switch fuse
OS50GF04FP	1SCA115498R1001	18	Front operated switch fuse	OS63GD04FP	1SCA115228R1001	12	Front operated switch fuse
OS50GF04N1P	1SCA115495R1001	18	Front operated switch fuse	OS63GD04N2K	1SCA116876R1001	14	Front operated switch fuse
OS50GF12P	1SCA115553R1001	18	Front operated switch fuse	OS63GD04N2P	1SCA115209R1001	12	Front operated switch fuse
OS50GF22FP	1SCA114623R1001	18	Front operated switch fuse	OS63GD12P	1SCA115227R1001	12	Front operated switch fuse
OS50GF22N1P	1SCA114622R1001	18	Front operated switch fuse	OS63GD22FP	1SCA115232R1001	12	Front operated switch fuse
OS50GFS30	1SCA116050R1001	25	Side operated switch fuse	OS63GD22N2P	1SCA115230R1001	12	Front operated switch fuse
OS50GFS30K	1SCA116404R1001	25	Side operated switch fuse	OS63GDS30	1SCA116007R1001	21	Side operated switch fuse
OS50GFS40F	1SCA116014R1001	25	Side operated switch fuse	OS63GDS30K	1SCA115931R1001	21	Side operated switch fuse
OS50GFS40FK	1SCA116425R1001	25	Side operated switch fuse	OS63GDS40F	1SCA116877R1001	21	Side operated switch fuse
OS50GFS40N1	1SCA116058R1001	25	Side operated switch fuse	OS63GDS40N1K	1SCA115932R1001	21	Side operated switch fuse
OS50GFS40N1K	1SCA116013R1001	25	Side operated switch fuse	OS63GDS40N2	1SCA116047R1001	21	Side operated switch fuse
OS600J03P	1SCA022825R8870	20	Front operated switch fuse	OS63GDS40N2K	1SCA116403R1001	21	Side operated switch fuse
OS60GJ03P	1SCA115443R1001	19	Front operated switch fuse	OS800B03K	1SCA108713R1001	17	Front operated switch fuse
OS60GJ04FP	1SCA115446R1001	19	Front operated switch fuse	OS800B03N3P	1SCA100861R1001	16	Front operated switch fuse
OS60GJ04N1P	1SCA116736R1001	19	Front operated switch fuse	OS800B03P	1SCA022825R7550	16	Front operated switch fuse
OS60GJ12P	1SCA115449R1001	19	Front operated switch fuse	OS800B04N2K	1SCA108714R1001	17	Front operated switch fuse
OS60GJ22FP	1SCA115469R1001	19	Front operated switch fuse	OS800B04N2P	1SCA022825R8010	16	Front operated switch fuse
OS60GJ22N1P	1SCA116735R1001	19	Front operated switch fuse	OS800B12P	1SCA022825R8280	16	Front operated switch fuse
OS60GJS30	1SCA116051R1001	26	Side operated switch fuse	OS800B22N2P	1SCA022825R8440	16	Front operated switch fuse
OS60GJS30K	1SCA116426R1001	26	Side operated switch fuse	OS800BS03	1SCA108076R1001	24	Side operated switch fuse
OS60GJS40F	1SCA115970R1001	26	Side operated switch fuse	OS800BS03K	1SCA108077R1001	24	Side operated switch fuse
OS60GJS40FK	1SCA115941R1001	26	Side operated switch fuse	OS800BS04N2	1SCA108081R1001	24	Side operated switch fuse
OS60GJS40N1	1SCA116763R1001	26	Side operated switch fuse	OS800BS04N2K	1SCA108082R1001	24	Side operated switch fuse
OS630B03K	1SCA108708R1001	17	Front operated switch fuse	OS800BS30	1SCA108083R1001	24	Side operated switch fuse
OS630B03N3P	1SCA100860R1001	16	Front operated switch fuse	OS800BS30K	1SCA108084R1001	24	Side operated switch fuse
OS630B03P	1SCA022825R5850	16	Front operated switch fuse	OS800BS40N2	1SCA108086R1001	24	Side operated switch fuse
OS630B04N2K	1SCA108710R1001	17	Front operated switch fuse	OS800BS40N2K	1SCA108087R1001	24	Side operated switch fuse
OS630B04N2P	1SCA022825R6230	16	Front operated switch fuse	OS800D03K	1SCA108725R1001	14	Front operated switch fuse
OS630B12P	1SCA022825R6400	16	Front operated switch fuse	OS800D03N3P	1SCA100859R1001	13	Front operated switch fuse
OS630B22N2P	1SCA022825R6660	16	Front operated switch fuse	OS800D03P	1SCA022825R4880	13	Front operated switch fuse
OS630BS03	1SCA108141R1001	24	Side operated switch fuse	OS800D04FP	1SCA022825R5000	13	Front operated switch fuse
OS630BS03K	1SCA108142R1001	24	Side operated switch fuse	OS800D04N2K	1SCA108722R1001	14	Front operated switch fuse
OS630BS04N2	1SCA108145R1001	24	Side operated switch fuse	OS800D04N2P	1SCA022825R5180	13	Front operated switch fuse
OS630BS04N2K	1SCA108146R1001	24	Side operated switch fuse	OS800D12P	1SCA022825R5340	13	Front operated switch fuse
OS630BS30	1SCA108147R1001	24	Side operated switch fuse	OS800D22N2P	1SCA022825R5510	13	Front operated switch fuse
OS630BS30K	1SCA108148R1001	24	Side operated switch fuse	OS800DS03	1SCA108092R1001	22	Side operated switch fuse
OS630BS40N2	1SCA108152R1001	24	Side operated switch fuse	OS800DS03K	1SCA108093R1001	22	Side operated switch fuse
OS630BS40N2K	1SCA108151R1001	24	Side operated switch fuse	OS800DS04F	1SCA108094R1001	22	Side operated switch fuse
OS630D03K	1SCA108704R1001	14	Front operated switch fuse	OS800DS04FK	1SCA108095R1001	22	Side operated switch fuse
OS630D03N3P	1SCA100858R1001	13	Front operated switch fuse	OS800DS30	1SCA108098R1001	22	Side operated switch fuse
OS630D03P	1SCA022825R2830	13	Front operated switch fuse	OS800DS30K	1SCA108093R1001	22	Side operated switch fuse
OS630D04FP	1SCA022825R4610	13	Front operated switch fuse	OS800DS40F	1SCA108100R1001	22	Side operated switch fuse
OS630D04N2K	1SCA108705R1001	14	Front operated switch fuse	OS800DS40FK	1SCA108101R1001	22	Side operated switch fuse
OS630D04N2P	1SCA022825R4290	13	Front operated switch fuse	OS800L03P	1SCA022825R9920	20	Front operated switch fuse
OS630D12P	1SCA022825R3810	13	Front operated switch fuse	OSD25P3	1SCA022192R9060	43	Blown fuse indicator (DPMM)
OS630D22N2P	1SCA022825R4450	13	Front operated switch fuse	OSD25P4	1SCA022196R9520	43	Blown fuse indicator (DPMM)
OS630DS03	1SCA108128R1001	22	Side operated switch fuse	OSGD125P3	1SCA115690R1001	43	Blown fuse indicator (DPMM)
OS630DS03K	1SCA108129R1001	22	Side operated switch fuse	OSGD125P4	1SCA115692R1001	43	Blown fuse indicator (DPMM)
OS630DS04F	1SCA108131R1001	22	Side operated switch fuse	OSGD50P3	1SCA116401R1001	43	Blown fuse indicator (DPMM)
OS630DS04FK	1SCA108132R1001	22	Side operated switch fuse	OSGD50P4	1SCA115689R1001	43	Blown fuse indicator (DPMM)
OS630DS30	1SCA108135R1001	22	Side operated switch fuse	OSGZD1	1SCA115688R1001	44	DIN-rail mounting kit
OS630DS30K	1SCA108136R1001	22	Side operated switch fuse	OSP1250B	1SCA107950R1001	36	Fourth Pole
OS630DS40F	1SCA108137R1001	22	Side operated switch fuse	OSP1250D	1SCA107946R1001	36	Fourth Pole
OS630DS40FK	1SCA108138R1001	22	Side operated switch fuse	OSP1250DA	1SCA112402R1001	36	Fourth Pole
OS63GB03K	1SCA116745R1001	17	Front operated switch fuse	OSP1250N	1SCA107943R1001	36	Fourth Pole
OS63GB03P	1SCA115235R1001	15	Front operated switch fuse	OSP160GB	1SCA114769R1001	36	Fourth Pole
OS63GB04N1K	1SCA116746R1001	17	Front operated switch fuse	OSP160GD	1SCA114768R1001	36	Fourth Pole
OS63GB04N1P	1SCA115238R1001	15	Front operated switch fuse	OSP160GN	1SCA114770R1001	36	Fourth Pole
OS63GB12P	1SCA115325R1001	15	Front operated switch fuse	OSP200B	1SCA022735R9180	36	Fourth Pole
OS63GB22N1P	1SCA114601R1001	15	Front operated switch fuse				
OS63GBS30	1SCA115957R1001	23	Side operated switch fuse				
OS63GBS30K	1SCA115924R1001	23	Side operated switch fuse				
OS63GBS40N1	1SCA115978R1001	23	Side operated switch fuse				
OS63GBS40N1K	1SCA115979R1001	23	Side operated switch fuse				
OS63GD03K	1SCA116738R1001	14	Front operated switch fuse				



Index

Type	Order number	Page	Description	Type	Order number	Page	Description
OSP200D	1SCA022735R8960	36	Fourth Pole	OSZT4A	1SCA106536R1001	44	Mechanism interlock kits & Electrical interlocks
OSP200N	1SCA022735R8700	36	Fourth Pole	OSZT4L	1SCA106541R1001	44	Mechanism interlock kits & Electrical interlocks
OSP250B	1SCA022770R4030	36	Fourth Pole	OSZX3	1SCA101224R1001	43	Blown fuse indicator (DPMM)
OSP250D	1SCA022735R9340	36	Fourth Pole	OSZX4	1SCA101225R1001	43	Blown fuse indicator (DPMM)
OSP250N	1SCA022735R9260	36	Fourth Pole	OTS1600G1L	1SCA106134R1001	38	Terminal shroud
OSP400B	1SCA022770R3140	36	Fourth Pole	OTS1600G1S	1SCA102667R1001	38	Terminal shroud
OSP400D	1SCA022770R3220	36	Fourth Pole	OTS250G1L	1SCA022715R5340	38	Terminal shroud
OSP400N	1SCA022770R3490	36	Fourth Pole	OTS250G1S	1SCA022715R5260	38	Terminal shroud
OSP800B	1SCA100434R1001	36	Fourth Pole	OTS800G1L	1SCA022776R7710	38	Terminal shroud
OSP800D	1SCA100433R1001	36	Fourth Pole	OTS800G1S	1SCA022776R8010	38	Terminal shroud
OSP800N	1SCA100432R1001	36	Fourth Pole	OTZT1A	1SCA106522R1001	44	Mechanism interlock kits & Electrical interlocks
OSS1250G1L/3	1SCA107938R1001	38	Terminal shroud	OTZT1L	1SCA106527R1001	44	Mechanism interlock kits & Electrical interlocks
OSS1250G1L/4	1SCA107940R1001	38	Terminal shroud	OTZW10	1SCA022431R5280	41	Conversion kit
OSS1250G1S/3	1SCA107939R1001	38	Terminal shroud	OTZW25	1SCA022778R6920	41	Conversion kit
OSS1250G1S/4	1SCA107941R1001	38	Terminal shroud	OTZW26	1SCA022778R7060	41	Conversion kit
OSS160GG1L/3	1SCA114764R1001	38	Terminal shroud	OWC6DSH1	1SCA105251R1001	41	Conversion kit
OSS160GG1L/4	1SCA114765R1001	38	Terminal shroud	OWC6DSH2	1SCA105252R1001	41	Conversion kit
OSS160GG1S/3	1SCA114766R1001	38	Terminal shroud	OWM6DS1	1SCA105253R1001	41	Conversion kit
OSS160GG1S/4	1SCA114767R1001	38	Terminal shroud	OWM6DS2	1SCA105254R1001	41	Conversion kit
OSS200G1L/3	1SCA022731R8910	38	Terminal shroud	OWP6DS1	1SCA105255R1001	41	Conversion kit
OSS200G1L/4	1SCA022731R9040	38	Terminal shroud	OWP6DS2	1SCA105256R1001	41	Conversion kit
OSS200G1S/3	1SCA022732R0130	38	Terminal shroud	OXN1250S	1SCA104163R1001	36	Neutral link
OSS200G1S/4	1SCA022732R0050	38	Terminal shroud	OXN250	1SCA022752R9950	36	Neutral link
OSS250G1L	1SCA022727R5080	38	Terminal shroud	OXN400	1SCA022770R3060	36	Neutral link
OSS250G1L/3	1SCA022731R9390	38	Terminal shroud	OXN800S	1SCA022831R4880	36	Neutral link
OSS250G1L/4	1SCA022731R9470	38	Terminal shroud	EXP12X250	1SCA022325R6980	33	Shaft
OSS250G1S	1SCA022727R4940	38	Terminal shroud	EXP12X280	1SCA022137R5140	33	Shaft
OSS250G1S/3	1SCA022731R9550	38	Terminal shroud	EXP12X280-45	1SCA022382R0800	33	Shaft
OSS250G1S/4	1SCA022731R9630	38	Terminal shroud	EXP12X325	1SCA022042R5810	33	Shaft
OSS400G1L/3	1SCA022776R6650	38	Terminal shroud	EXP12X325-45	1SCA022304R4450	33	Shaft
OSS400G1L/4	1SCA022776R6730	38	Terminal shroud	EXP12X395	1SCA022042R5990	33	Shaft
OSS400G1S/3	1SCA022776R6900	38	Terminal shroud	EXP12X465	1SCA022042R6020	33	Shaft
OSS400G1S/4	1SCA022776R7030	38	Terminal shroud	EXP12X535	1SCA022042R6110	33	Shaft
OSS800G1L/3	1SCA022776R7200	38	Terminal shroud	EXP6X130	1SCA022057R0570	32	Shaft
OSS800G1L/4	1SCA022776R7380	38	Terminal shroud	EXP6X150-45	1SCA022294R4400	32	Shaft
OSS800G1S/3	1SCA022776R7540	38	Terminal shroud	EXP6X150	1SCA022295R5600	32	Shaft
OSS800G1S/4	1SCA022776R7460	38	Terminal shroud	EXP6X161	1SCA022067R1760	32	Shaft
OSV1250DK	1SCA107797R1001	31	Direct mounted handle	EXP6X170	1SCA108224R1001	32	Shaft
OSV200BK	1SCA022779R7530	31	Direct mounted handle	EXP6X170-45	1SCA108227R1001	32	Shaft
OSV250DK	1SCA022763R3510	31	Direct mounted handle	EXP6X210	1SCA022295R6080	32	Shaft
OSV400BK	1SCA022763R3930	31	Direct mounted handle	EXP6X210-45	1SCA022294R4230	32	Shaft
OSV400DK	1SCA022763R4230	31	Direct mounted handle	EXP6X265	1SCA108225R1001	32	Shaft
OSV800DK	1SCA107794R1001	31	Direct mounted handle	EXP6X265-45	1SCA108228R1001	32	Shaft
OSVY1250DK	1SCA108702R1001	31	Direct mounted handle	EXP6X290	1SCA022042R6370	32	Shaft
OSVY200BK	1SCA022779R7700	31	Direct mounted handle	EXP6X290-45	1SCA022304R4290	32	Shaft
OSVY250DK	1SCA022778R6500	31	Direct mounted handle	EXP6X360	1SCA022042R6530	32	Shaft
OSVY400BK	1SCA022779R5830	31	Direct mounted handle	EXP6X360-45	1SCA022341R4640	32	Shaft
OSVY400DK	1SCA022779R5590	31	Direct mounted handle	EXP6X400	1SCA108226R1001	32	Shaft
OSVY800DK	1SCA108703R1001	31	Direct mounted handle	EXP6X400-45	1SCA108229R1001	32	Shaft
OSZ1	1SCA022481R3710	36	Neutral link	EXP6X430	1SCA022056R6030	32	Shaft
OSZ2	1SCA022481R3800	36	Neutral link	EXP6X63	1SCA111010R1001	32	Shaft
OSZ4	1SCA022530R0200	34	Mounting frame for auxiliary contacts	EXP6X90	1SCA022064R1180	32	Shaft
OSZ4	1SCA022530R0200	43	Mounting accessory for fuse monitor	OZXB1L	1SCA022169R2030	39	Terminal clamp set
OSZT1A	1SCA106532R1001	44	Mechanism interlock kits & Electrical interlocks	OZXB1L/1	1SCA022194R0030	39	Terminal clamp set
OSZT1L	1SCA106538R1001	44	Mechanism interlock kits & Electrical interlocks	OZXB2	1SCA022119R7610	39	Terminal clamp set
OSZT2A	1SCA106534R1001	44	Mechanism interlock kits & Electrical interlocks	OZXB2/1	1SCA022194R0200	39	Terminal clamp set
OSZT2L	1SCA106539R1001	44	Mechanism interlock kits & Electrical interlocks	OZXB2L	1SCA022158R7750	39	Terminal clamp set
OSZT3A	1SCA106535R1001	44	Mechanism interlock kits & Electrical interlocks	OZXB2L/1	1SCA022194R0460	39	Terminal clamp set
OSZT3L	1SCA106540R1001	44	Mechanism interlock kits & Electrical interlocks	OZXB3	1SCA022136R8100	39	Terminal clamp set
				OZXB3	1SCA022136R8100	40	Terminal clamp set
				OZXB3/1	1SCA022194R0620	39	Terminal clamp set



Index

Type	Order number	Page	Description
OZXB3/1	1SCA022194R0620	40	Terminal clamp set
OZXB4	1SCA022137R4760	39	Terminal clamp set
OZXB4	1SCA022137R4760	40	Terminal clamp set
OZXB4/1	1SCA022194R0890	39	Terminal clamp set
OZXB4/1	1SCA022194R0890	40	Terminal clamp set
OZXB5	1SCA022137R2470	39	Terminal clamp set
OZXB5	1SCA022137R2470	40	Terminal clamp set
OZXB5/1	1SCA022194R1010	39	Terminal clamp set
OZXB5/1	1SCA022194R1010	40	Terminal clamp set
OZXB6	1SCA022137R4920	39	Terminal clamp set
OZXB6	1SCA022137R4920	40	Terminal clamp set
OZXB6/1	1SCA022194R1270	39	Terminal clamp set
OZXB6/1	1SCA022194R1270	40	Terminal clamp set
OZXB7	1SCA022185R0040	39	Terminal clamp set
OZXB7/1	1SCA022194R1430	39	Terminal clamp set
OZXB7L	1SCA022185R7130	39	Terminal clamp set
OZXB7L	1SCA022185R7130	40	Terminal clamp set
OZXB7L/1	1SCA022194R1600	39	Terminal clamp set
OZXB7L/1	1SCA022194R1600	40	Terminal clamp set
OZXB8	1SCA022744R1510	39	Terminal clamp set
OZXB8	1SCA022744R1510	40	Terminal clamp set
OZXB8/1	1SCA022744R1600	39	Terminal clamp set
OZXB8/1	1SCA022744R1600	40	Terminal clamp set
OZXB9	1SCA022750R3210	39	Terminal clamp set
OZXB9	1SCA022750R3210	40	Terminal clamp set
OZXB9/1	1SCA022750R3300	39	Terminal clamp set
OZXB9/1	1SCA022750R3300	40	Terminal clamp set
OZXP120	1SCA115540R1001	40	Terminal clamp set
OZXP150	1SCA115541R1001	40	Terminal clamp set
OZXP240	1SCA115542R1001	40	Terminal clamp set
OZXP2X240	1SCA115544R1001	40	Terminal clamp set
OZXP300	1SCA115543R1001	40	Terminal clamp set
OZXP95	1SCA115539R1001	40	Terminal clamp set
OZXR185	1SCA115531R1001	40	Terminal clamp set
OZXR240	1SCA115532R1001	40	Terminal clamp set
OZXR2X185	1SCA115534R1001	40	Terminal clamp set
OZXR2X300	1SCA115535R1001	40	Terminal clamp set
OZXR300	1SCA115533R1001	40	Terminal clamp set
OZXR70	1SCA115529R1001	40	Terminal clamp set
OZXR95	1SCA115530R1001	40	Terminal clamp set
OZXT1	1SCA022469R6310	39	Terminal clamp set
OZXT1/1	1SCA022469R6490	39	Terminal clamp set
PB100 low	1SDA054970R1	38	Phase barrier
PB100 low	1SDA054971R1	38	Phase barrier
PB200 high	1SDA054972R1	38	Phase barrier
PB200 high	1SDA054973R1	38	Phase barrier
PDAL2/110AC50Hz	1SCA106543R1001	44	Coil
PDAL2/110AC60Hz	1SCA107100R1001	44	Coil
PDAL2/110DC	1SCA107105R1001	44	Coil
PDAL2/120AC60Hz	1SCA111353R1001	44	Coil
PDAL2/125DC	1SCA111338R1001	44	Coil
PDAL2/208AC60Hz	1SCA107101R1001	44	Coil
PDAL2/220DC	1SCA112503R1001	44	Coil
PDAL2/230AC50Hz	1SCA107102R1001	44	Coil
PDAL2/240AC60Hz	1SCA111356R1001	44	Coil
PDAL2/24AC60Hz	1SCA111350R1001	44	Coil
PDAL2/24DC	1SCA106542R1001	44	Coil
PDAL2/48DC	1SCA107103R1001	44	Coil
PDAL2/60DC	1SCA107104R1001	44	Coil
YASDA 7	1SCA022071R3010	30	Handle
YASDA 8	1SCA022071R3270	30	Handle
YASDA35	1SCA104400R1001	30	Handle

Contact us

ABB Oy

Low Voltage Products

P.O. Box 622

FI-65101 Vaasa, Finland

Phone: +358 10 22 11

Fax: +358 22 45708

E-Mail: firstname.surname@fi.abb.com

www.abb.com

The technical data and dimensions are valid at the time of printing. We reserve the right to subsequent alterations.



Catalogue OS1GB 09-12; 1SCC311013C0201

Produced by A&V Insinööri Oy / Tekninen viestintä, Vaasa, Finland