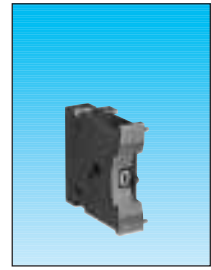


Thumbwheel switches



Electrical characteristics

Assigned working voltage	0.1 → 50 V~
	0.1 → 50 V=
Nominal load current	0.1 → 100 mA
Max. non-switchable current	1 A
Max. internal resistance	200 m Ω
Min. insulation resistance	10 ⁵ M Ω
- between tracks	600 V~
- between tracks and grounds	2500 V~

Mechanical characteristics

Electrical durability (operations)	10 ⁶
Vibration resistance	2000/10
according to NFC 20616	

Environmental characteristics

Ambient operating temperature	- 25 + 70°C
Ambient storage temperature	- 40 + 85°C

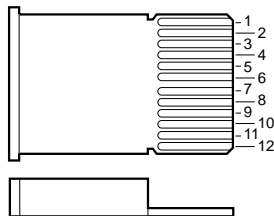
Standard codes

Type of tracks		MO1										
		C	0	1	2	3	4	5	6	7	8	9
A	MO1*	1	11	10	9	8	7	6	5	4	3	2
	MO1	12	11	10	9	8	7	6	5	4	3	2
B	0	•	•									
	1	•		•								
	2	•			•							
	3	•				•						
	4	•					•					
	5	•						•				
	6	•							•			
	7	•								•		
	8	•									•	
	9	•										•

Type of tracks		MO2								
		C	1	2	4	8				
A	MO2*	1	9	7	5	3				
	MO2	9	8	7	6	5				
B	0	•								
	1	•								
	2	•		•						
	3	•			•					
	4	•				•				
	5	•					•			
	6	•						•		
	7	•							•	
	8	•								•
	9	•								

Output layout

A - Position on printed circuit
 B - Dial setting
 * For 84 214 only



Features

Miniature, starwheel

Compatible with display module	—
Front mounting	•

Types

Standard 10-position module	84 210 0
-----------------------------	-----------------

Standard codes

Decimal	M 01	•
BCD	M 02	•

Circuits

Short	C	•
-------	----------	---

Case Wheels

Grey	G	Black	N	•
------	----------	-------	----------	---

Connections

For soldering or for connector	S	•
--------------------------------	----------	---

Mounting accessories

Pair of end caps (with clips)			
Spacer	Grey	JE/G	79 211 709
Spacer	Grey	MI/G	79 211 738
Separator module (with clips)	Grey	MS/G	79 211 752

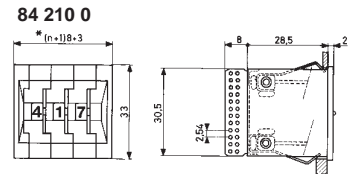
Connectors

Solder terminals	W2	25 625 493
Wire-wrap terminals with lugs	X2	25 625 494
Wire-wrap terminals without lugs	X2	25 625 492
For soldering to printed circuit	X3	25 625 495

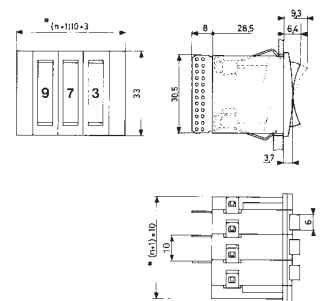
Mechanical characteristics

Operating force	N	3
Digit dimensions (H x L)	mm	4.5 x 2.8
Weight	g	5.5

Dimensions

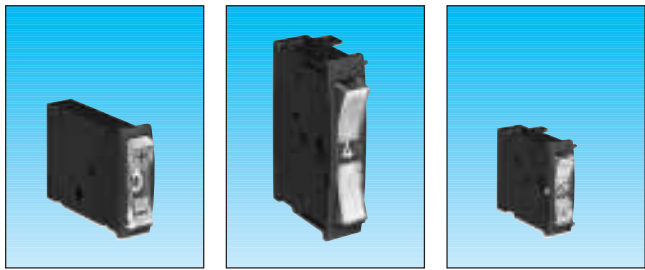


84 211 0



Other information

For other versions, codes, colours, cases, wheels : please consult us.



Miniature rocker

Large rocker

Subminiature rocker

84 217

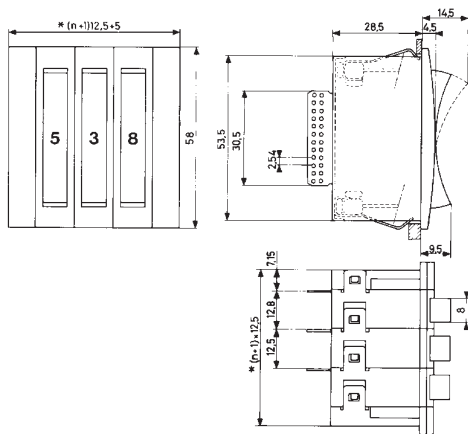
84 211 0 84 212 0 84 214 0

79 211 823 79 211 923 79 214 282
 79 211 814 79 211 914 79 214 219
 79 211 824 79 211 924

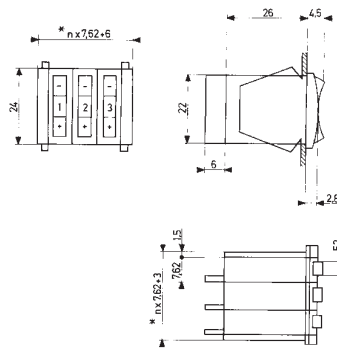
25 625 493 25 625 493
 25 625 494 25 625 494
 25 625 492 25 625 492
 25 625 495 25 625 495

5	4	5
4.5 x 2.8	6 x 3.75	4 x 2.5
7.5	14	3.5 → 4

84 212 0



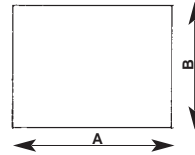
84 214 0



Output
 Pitch 2 for decimal
 Pitch 5 for BCD

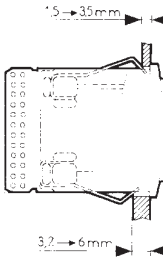
* n = number of modules
 J = clearance : 1 mm for 1 ≤ n ≤ 10
 1.5 mm for 11 ≤ n ≤ 20

Panel cut-out



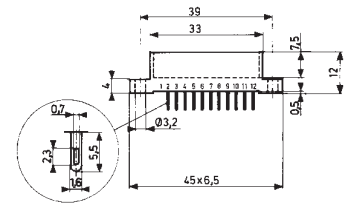
	A	B
84 210	(n+1) 8 + J	31
84 211	(n+1) 10 + J	31
84 212	(n+1) 12.5 + J	54
84 214	(n x 7.62) + 35	22.5

Panel thickness



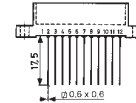
Connector dimensions

25 625 493

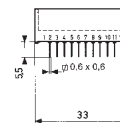


25 625 492

25 625 494



25 625 495



To order, specify :

- 1** Type
- 2** Code
- 3** Connections
- 4** Accessories
- 5** Connectors

Standard products,
 non stocked

Example : Selector switch 84 210 0 M 01 C G N S - accessories 79 211 709 - connector 25 625 494

3