

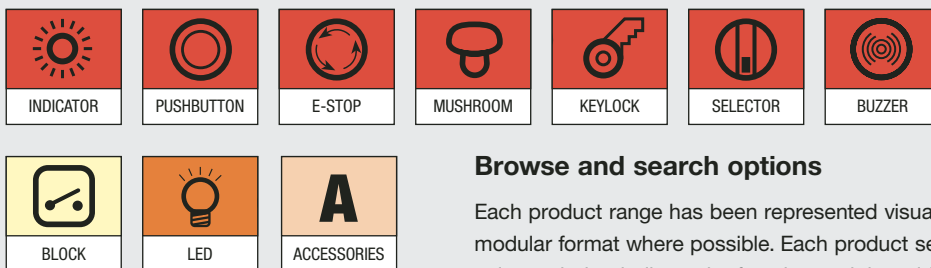


## Condensed Catalog

Your Expert Partner for Human Machine Interfaces

# How to use this catalog

The objective of this catalog is to provide engineers and purchasers with a quick and easy search facility for the selection and purchase of EAO's most popular product ranges. Included within this catalog are details of EAO's latest state of the art, ergonomically designed ranges of keyboards, keypads, switches and pushbuttons that have been stringently tested to meet international standards.



## Browse and search options

Each product range has been represented visually and in a modular format where possible. Each product series has been color coded to indicate the function and the additional elements that need to be purchased to complete an order. Additional elements may be actuators, illumination, contact blocks, accessories, and so on.

EAO Switch not responsible for clerical errors.

On the page opposite is located a simple index, sorted by product type. Additionally, at the rear of the catalog you will find a product selector, that enables search criteria to be defined by:

- Mounting hole size
- Contact terminals
- Number of keys
- Illumination
- Front protection (IP Rating)
- Lens cap
- Mounting style
- Marking
- Switch rating
- Application
- Product function
- Approvals



For further information about our complete product range either contact your local sales office, distributor, or alternatively visit our website at [www.eaoswitch.com](http://www.eaoswitch.com)

Subject				Page
Company Overview				4
Customer Solutions				31
IP Ratings				69
Technical Solutions Capabilities				75
Advantages of LED Illumination				85
Typical Applications				95
Engraving for Keypads and Keyboards				99
Glossary				106
Technical Information				110
Legends & Soldering				112
Product Selector Chart				114

Type	Mounting Style	Mounting Hole Size (MM)	Technical Drawings (Page)	Page
<b>Panel Mount, Unsealed, IP40, Pushbuttons Switches &amp; Indicators</b>				
Series 03	Raised	21.2 x 41.2	9	6
Series 18	Raised/Flush	16 Ø, 15.5 x 15.8	34	32
Series 31	Raised	16Ø	43	40
<b>Panel Mount, Sealed, IP65 (Oil &amp; Watertight) Switches &amp; Indicators</b>				
Series 04	Raised/Flush	22.5, 30.5Ø	18	10
Series 14	Raised/Flush	22.5, 30.5Ø	26	22
Series 22	Raised	22 x 30	39	36
Series 44	Raised/Flush	22.5, 30.5Ø	49	44
Series 51	Raised	16Ø	56	52
Series 56	Raised/Flush	42Ø		58
Series 58	Touch Sensitive Switch	No mounting hole required		59
Series 61	Raised/Flush	16Ø, 21 x 21, 21 x 27, 22.5Ø	67	60
Series 71	Flush	21 x 21, 21 x 27, 22.5Ø	74	70
Series 84	Flush	22.5Ø	78	76
Series 92	PCB	16Ø	83	80
<b>Keylock &amp; Selector Switches</b>				
Series 03	Raised	21.2 x 41.2	9	6
Series 04	Raised/Flush	22.5, 30.5Ø	18	10
Series 14	Raised/Flush	22.5, 30.5Ø	26	22
Series 22	Raised	22 x 30	39	36
Series 44	Raised/Flush	22.5, 30.5Ø	49	44
Series 51	Raised	16Ø	56	52
Series 61	Raised/Flush	16Ø, 21 x 21, 21 x 27, 22.5Ø	67	60
Series 71	Flush	21 x 21, 21 x 27, 22.5Ø	74	70
<b>Emergency Stop Switches</b>				
Series 04	Raised	22.5Ø	18	10
Series 44	Raised	22.5Ø	49	44
Series 61	Raised	16Ø	67	60
Series 84	Raised	22.5Ø	78	76
<b>Buzzers</b>				
Series 03	Raised	21.2 x 41.2	9	6
Series 04	Flush	30.5Ø	18	10
Series 14	Flush	30.5Ø	26	22
Series 31	Raised	22.5Ø	43	40
<b>Printed Circuit Board Switches</b>				
Series 92	PCB	16Ø	83	80
Series 95	Through Panel		88	86
1K2	Changeover		105	104
<b>LEDs</b>				
Series 17	Panel Mount LED Indicators	<i>All other illumination products may be found in the relevant switch sections</i>		28
<b>Keypads &amp; Keyboards</b>				
AVME Keypads			91	90
S.series Keypads			93	92
TSK.series Keyboards			98	96
W.series Keyboards			102	100
W.series Keypads			102	101

# Company Overview

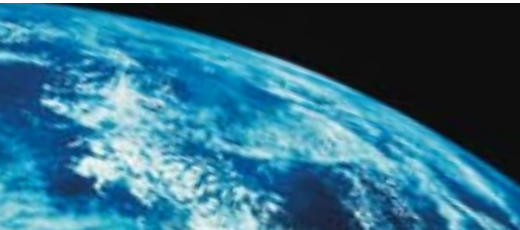
**The Company** EAO is a global manufacturer of high-quality Human Machine Interface products, from switches, keypads and keyboards to complete, custom-built control panels. Founded in 1947, EAO has established a global reputation for being an expert partner for Human Machine Interfaces across a range of target industries - transportation, machinery, process control, lifting and moving, and instrumentation.

Our products have been developed by world-class industrial specialists and tested to international standards. They are synonymous with creativity, innovation and excellence - the hallmarks of EAO. Our 10 specialized Sales and Customer Service Centers around the world and a network of trained specialized agents and representatives in more than 50 countries will bring experience, skill and dedication to your projects.

## **EAO Your Approved Partner**

EAO is certified and managed according to ISO 9001, ISO 9002, ISO 14001 and VDA6.1 (Automotive) standards.

It is an approved A-supplier to leading automotive manufacturers and guarantees worldwide approvals by ENEC, CB, UL/UR, CSA, VDE, SEV and Germanischer Lloyd.



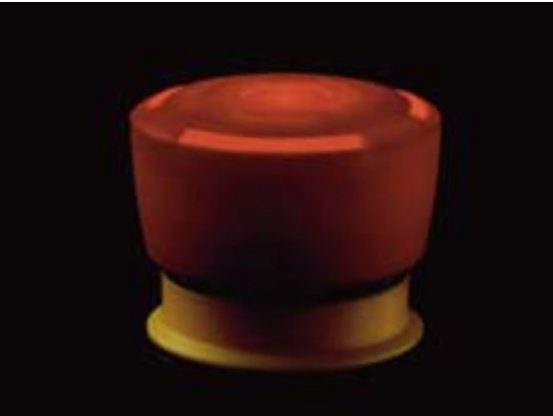
**Global EAO** Argentina Australia Austria Belgium Brazil Bulgaria Canada Chile China Columbia Croatia Czech Republic Denmark Finland France Germany Great Britain Greece Hungary Iceland India Ireland Israel Italy Japan Korea Latvia Luxembourg Malaysia Mexico Netherlands New Zealand Norway Oman Peru Poland Portugal Romania Russia Saudi Arabia Singapore Slovakia Slovenia South Africa Spain Sweden Switzerland Taiwan Turkey USA

## Key Markets

**Transportation** Stringent regulations within the public transportation industry requires a special range of Human Machine Interface components that meet the highest standards of safety, durability and functionality. EAO has developed products to meet these standards, including the latest regulations on access for the disabled.







**Solutions** EAO is the expert partner for Human Machine Interfaces with a reputation built on our success in developing innovative, ready-to-use solutions for our customers which add significant value to their end products.

Our customers value EAO's skill in selecting the best components and services in terms of cost-effectiveness, quality and reliability. In our search for a solution, we make use of our

network of plastics specialists, toolmakers, electrical and electronics engineers, industrial designers and ergonomics experts.

EAO trims development times with rapid prototyping using modern technologies including stereolithography and urethane casting. We also plan the production sequence while developing the solution to help bring your products to market faster.



**Machinery** EAO manufactures a broad range of industrial switches including foolproof Emergency-stops and high-illumination pushbuttons. They offer unparalleled reliability with the benefit of EAO's unique, tactile 'click' that is reassuring for the user.

**Instrumentation** Instrument controls require precision and sophistication, both in function and design. EAO has a range of specialized Human Machine Interface components for every instrument application, whether it is medical electronics, measuring instruments or test equipment.



**Lifting and Moving** Lifting and moving controls must be highly responsive and tactile to answer the operator's every touch, yet tough enough to survive the harshest of environments. EAO's range of controls are ideal for these applications, whether it's industrial, hydraulic lifting equipment or a personal stair-lift in the home.

**When it comes to Human Machine Interfaces**

you'll go further & faster with EAO





Choose one component from each of the colored sections to assemble a complete switch.  
For other options or further information please contact EAO Switch directly.

## Product Profile

The Series 03 is a high quality switch range that includes pushbuttons, indicators, mushroom headed switches and key switches.

Options include self cleaning snap-action switching elements.

Technical drawings see page 9

- IP40 or IP65 Protection (with cover)
- Switch Rating, 10A, 380VAC
- Mounting into 21.2 x 41.2mm cut out
- Illumination using T-6.8 Lamps or LED's
- The standard lenses are available in many different versions, transparent, opaque or translucent
- Screw terminal or plug-in connections

## Indicator



Indicator body single with two independent lamp bases, raised, rectangular, black plastic, screw terminals, without bezel

Part No.
03-021.001

For complete switch also order **A**

## Illuminated pushbutton



Illuminated single pushbutton actuator, raised, rectangular, black plastic, screw terminals, without bezel

Part No.	Action	Contact type
03-616.011	Momentary	1 pole, form C
03-617.011	Momentary	2 pole, form C
03-618.011	Maintained	1 pole, form C
03-619.011	Maintained	2 pole, form C
03-620.011	Momentary/Maintained	2 pole, form C

For complete switch also order **A**

## Illuminated pushbutton



Illuminated double pushbutton actuator with independent contacts, raised, rectangular, black plastic, screw terminals, without bezel

Part No.	Action	Contact type
03-624.011	Momentary	2 pole, form C
03-625.011	Maintained	2 pole, form C
03-626.011	Momentary/Maintained	2 pole, form C
03-627.011	Momentary/Indicator	1 pole, form C
03-628.011	Maintained/Indicator	1 pole, form C

For complete switch also order **A**

## Buzzer



Buzzer, plastic bezel, raised, rectangular, 10-50VAC/10-75VDC, screw terminals, 85dB ± 10 at a distance of 0.1m, without bezel

Part No.	Action	Contact type
03-630.011	Momentary/Blocking	2 pole, form C
03-631.011	Maintained/Block release	2 pole, form C
03-632.011	Momentary/Maintained	2 pole, form C

For complete switch also order **A**

Choose one component from each of the colored sections to assemble a complete switch.  
For other options or further information please contact EAO Switch directly.



**LED**



LED, T-6.8, single chip, 12 Volt and 28 Volt.  
Also available in 6 Volt, 24 Volt and 48 Volt

Color	Part No.	Voltage
Red	10-2K09.1072	12VAC/DC, 9/17mA
Yellow	10-2K09.1074	12VAC/DC, 9/17mA
Green	10-2K09.1075	12VAC/DC, 4/7mA
Blue	10-2K09.1076	12VAC/DC, 9/17mA
White	10-2K09.1079	12VAC/DC, 9/17mA
Red	10-2K13.1072	28VAC/DC, 9/17mA
Yellow	10-2K13.1074	28VAC/DC, 9/17mA
Green	10-2K13.1075	28VAC/DC, 4/7mA
Blue	10-2K13.1076	28VAC/DC, 9/17mA
White	10-2K13.1079	28VAC/DC, 9/17mA

**A Accessories**



Lens, translucent or opaque/ribbed, one color for single indicator and pushbutton bodies

Color	Part No.	Lens
Red	03-901.2	Translucent
Yellow	03-901.4	Translucent
Green	03-901.5	Translucent
Blue	03-901.6	Translucent
White	03-901.9	Opaque/ribbed
Black	03-901.0	Opaque/ribbed



Lens, translucent/ribbed, two colors for single indicator and pushbutton bodies

Color	Part No.
Red/Green	03-902.2/5
Red/Red	03-902.2/2
White/White	03-902.9/9

Other color options available, please inquire

**A Accessories**



Lens, translucent or opaque/ribbed, halved for double pushbutton bodies

Color	Part No.	Lens
Red	03-921.2	Translucent
Yellow	03-921.4	Translucent
Green	03-921.5	Translucent
Blue	03-921.6	Translucent
White	03-921.9	Opaque/ribbed
Black	03-921.0	Opaque/ribbed



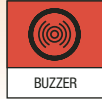
Lens, translucent or opaque/ribbed, halved for mechanically interlocked double pushbutton bodies

Color	Part No.	Lens
Red	03-923.2	Translucent
Yellow	03-923.4	Translucent
Green	03-923.5	Translucent
Blue	03-923.6	Translucent
White	03-923.9	Opaque/ribbed
Black	03-923.0	Opaque/ribbed



Front bezel flat and raised, black plastic

Image	Part No.	Product description
1	03-965.0	Front bezel flat
2	03-967.0	Front bezel raised



Choose one component from each of the colored sections to assemble a complete switch.  
For other options or further information please contact EAO Switch directly.

## A Accessories



Sprayproof cover for IP65 sealing and flap guard for pushbutton switch



Blanking plate



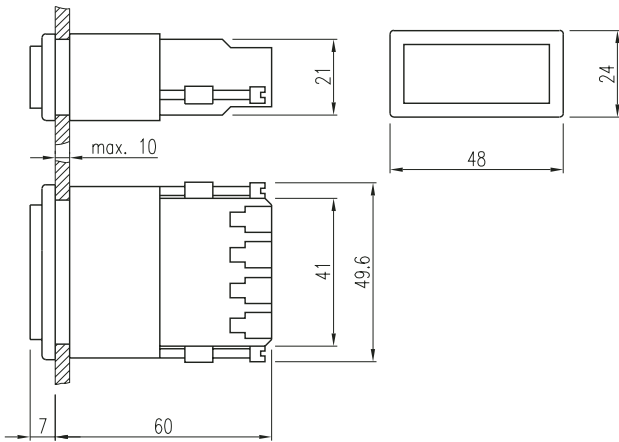
Lens remover for flat bezel, lens remover for raised bezel and LED and lamp remover

Image	Part No.	Product description	Part No.	Image	Part No.	Product description
1	03-924	Sprayproof cover	03-949.0	1	02-905	Lens remover for flat/2 sided bezel
2	03-925	Flap guard		2	98-968	Lens remover for raised/4 sided bezel
				3	51-996	LED remover
				4	02-906	Lamp remover raised/4 sided



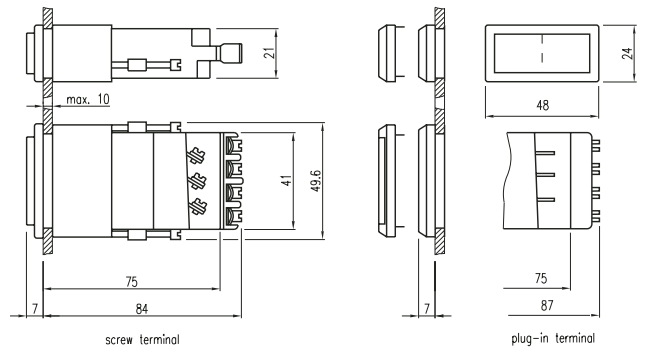
## 03 Indicator

Single



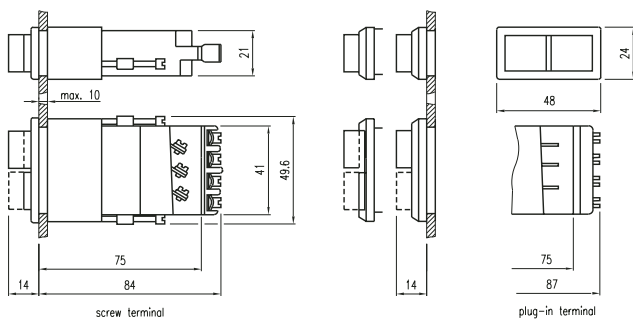
## 03 Pushbutton

Illuminated, Raised, Single



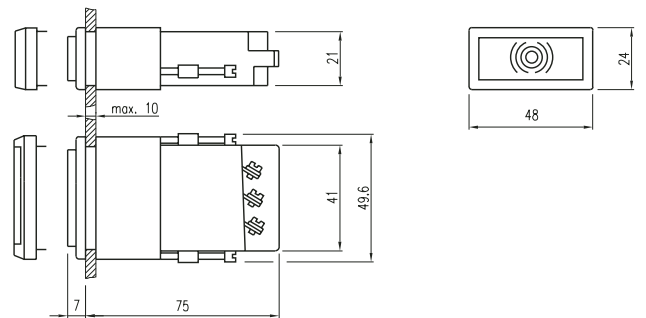
## 03 Pushbutton

Illuminated, Raised, Double

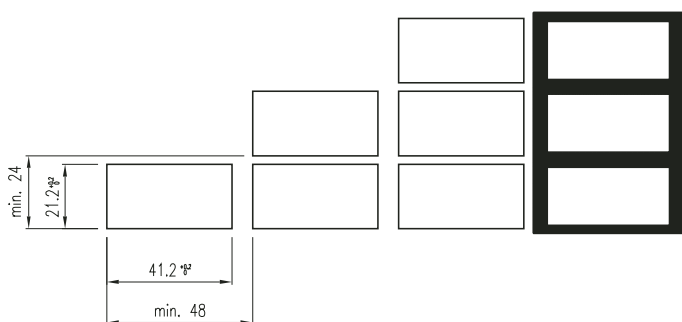


## 03 Buzzer

Raised



## 03 Cut-outs, Raised Mounting







Choose one component from each of the colored sections to assemble a complete switch.

## Product Profile

The Series 04 is a high quality switch range that includes pushbuttons, indicators, selectors, mushroom headed switches, key switches, and Emergency-stops.

Options include self cleaning, slow-make and snap-action switching elements.

Technical drawings see pages 18-21

- IP65 Protection
- Switch Rating:  
Maximum Voltage, 600VAC  
Maximum Thermal Current,  $I_{th} = 10A$   
230VAC/6A, 24VDC/10A
- Raised Mounting into 22.5mm cut out
- Flush Mounting into 30.5mm cut out
- Illumination using Ba9s (T-3¼ bayonet base) Lamps or LED's
- All standard lenses are transparent with translucent diffuser
- Screw terminal or plug-in connections

## Indicator



Indicator, round, full face, 22.5mm mounting

Color	Part No.
Red	704.000.2
Yellow	704.000.4
Green	704.000.5
Blue	704.000.6
Clear	704.000.7

For complete switch also order



Indicator, flush mount, aluminum bezel, 30.5mm mounting

Color	Part No.
Red	704.006.218
Yellow	704.006.418
Green	704.006.518
Blue	704.006.618
Clear	704.006.718

For complete switch also order

## Non-illuminated pushbutton



Non illuminated raised pushbutton, gray plastic bezel, 22.5mm mounting



Non illuminated raised pushbutton, aluminum bezel, 22.5mm mounting



Non illuminated flush mount pushbutton, aluminum bezel, 30.5mm mounting

Part Ordering System 704.02 - ( ) ( ) ( ) ( )						Color	Part No., Momentary	Part No., Maintained
Pushbutton Action	Lens/Cap Style	Front Ring Style	Material	Diffuser Type	Lens/Cap Color			
1-Momentary	Standard-plastic	0-Standard	Black plastic	0-Black	0-Black	Red	704.012.218	704.042.218
2-Momentary	Standard-metal	1-Standard	Anodized Al	1-No diffuser	2-Red	Yellow	704.012.418	704.042.418
3-Momentary	Extended-plastic	2-Sealed	Ni plated brass	(Mushroom or opaque lens)	3-Orange*	Green	704.012.518	704.042.518
4-Momentary	Mushroom-plastic	3-Sealed	Silicone cover	7-Clear	4-Yellow	Blue	704.012.618	704.042.618
5-Maintained	Standard-plastic	4-Standard	Anodized Al	9-White	5-Green	Clear	704.012.718	704.042.718
6-Maintained	Standard-metal	6-Standard	Silicon cover		6-Blue**	Black	704.012.018	704.042.218
7-Maintained	Extended-plastic	7-Extended	Chrome plastic		7-White***			
8-Maintained	Mushroom-plastic	9-Standard	Gray plastic		8-Aluminum**			
			Gray plastic		9-Steel**			
			Steel					

For complete switch also order **A**

\* Only available in standard plastic

\*\* Not available with mushroom cap

\*\*\* Combination of clear lens and white diffuser

For complete switch also order **A**

Choose one component from each of the colored sections to assemble a complete switch.  
For other options or further information please contact EAO Switch directly.



**⊙ Illuminated pushbutton**



Illuminated raised pushbutton, gray plastic bezel, 22.5mm mounting



Illuminated raised pushbutton, aluminum bezel, 22.5mm mounting



Illuminated flush mount pushbutton, aluminum bezel, 30.5mm mounting

Part Ordering System 704.01 - ( ) ( ) ( ) ( )						Color	Part No., Momentary	Part No., Maintained
<b>Pushbutton Action</b>	<b>Lens Style</b>	<b>Termination Style</b>	<b>Front Ring Material</b>		<b>Diffuser* Type</b>	<b>Lens Color</b>		
1-Momentary	Standard	Screw	0-Standard	Black plastic	7-Clear	2-Transparent red	704.032.218	704.062.218
2-Momentary	Standard	0.250" Q.C.	1-Standard	Anodized Al	9-White	3-Transparent orange	704.032.418	704.062.418
3-Momentary	Extended	Screw	2-Sealed	Ni plated brass		4-Transparent yellow	704.032.518	704.062.518
4-Momentary	Extended	0.250" Q.C.		Silicon cover		5-Transparent green	704.032.618	704.062.618
5-Maintained	Standard	Screw	3-Sealed	Anodized Al		6-Transparent blue	704.032.718	704.062.718
6-Maintained	Standard	0.250" Q.C.		Silicon cover		7-White (uses clear lens/white diffuser)		
7-Maintained	Extended	Screw	4-Standard	Chrome plastic				
8-Maintained	Extended	0.250" Q.C.	6-Standard	Gray plastic				
9-Momentary	Mushroom	Screw	7-Extended	Gray plastic				
10-Momentary	Mushroom	0.250" Q.C.	9-Standard	Steel				
11-Maintained	Mushroom	Screw						
12-Maintained	Mushroom	0.250" Q.C.						

For complete switch also order **A** \*White translucent for incandescent lamps and clear knurled for neon

For complete switch also order **A**

**⊙ Illuminated pushbutton**



Illuminated raised pushbutton, gray plastic bezel, 22.5mm mounting



Illuminated raised pushbutton, aluminum bezel, 22.5mm mounting

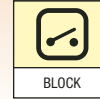
Part Ordering System 704.03 - ( ) ( ) ( ) ( )					
<b>Pushbutton Action</b>	<b>Lighted or Unlighted</b>	<b>Film Insert</b>	<b>Lamp Holder</b>	<b>Bezel Color</b>	<b>Lens Color</b>
0-Momentary	Lighted	With	0-No lamp holder	0-Black	0-Black
1-Momentary	Lighted	Without	1-Lamp holder screw terminals	4-Chrome	2-Red
2-Momentary	Unlighted	With	2-Lamp holder 0.250" Q.C. terminals	6-Light gray	3-Orange
3-Momentary	Unlighted	Without			4-Yellow
4-Maintained	Lighted	With			5-Green
5-Maintained	Lighted	Without			6-Blue
6-Maintained	Unlighted	With			7-White*
7-Maintained	Unlighted	Without			

For complete switch also order **A** \*Combination of clear lens and white diffuser





Choose one component from each of the colored sections to assemble a complete switch.  
For other options or further information please contact EAO Switch directly.



**Keylock switch** **Selector switch**



Keylock switch 3 position, raised, 22.5mm mounting  
5 6

Keylock switch 3 position, flush mount, 30.5mm mounting  
7

Selector switch short lever 2 position, raised, 22.5mm mounting  
8 9

Drawing	Part No.	Action	Key rem.
5	704.115.0	Momentary/Momentary	A
6	704.114.0	Maintained/Maintained	A

Drawing	Part No.	Action	Key rem.
7	704.115.018	Momentary/Momentary	A
7	704.114.018	Maintained/Maintained	A

Drawing	Part No.	Action	Bezel
8	704.412.0	Momentary	Gray plastic
8	704.413.0	Momentary	Aluminum
9	704.410.0	Maintained	Gray plastic
9	704.411.0	Maintained	Aluminum

For complete switch also order **A**

For complete switch also order **A**

For complete switch also order **A**

**Selector switch**



Selector switch short lever 2 position, flush mount, 30.5mm mounting  
10 11

Selector switch short lever 3 position, raised, 22.5mm mounting  
12

Selector switch short lever 3 position, flush mount, 30.5mm mounting  
13

Drawing	Part No.	Action	Bezel
10	704.413.018	Momentary	Aluminum
11	704.411.018	Maintained	Aluminum

Drawing	Part No.	Action	Bezel
12	704.404.0	Momentary/Momentary	Gray plastic
12	704.405.0	Momentary/Momentary	Aluminum
12	704.402.0	Maintained/Maintained	Gray plastic
12	704.403.0	Maintained/Maintained	Aluminum

Drawing	Part No.	Action	Bezel
13	704.405.018	Momentary	Aluminum
13	704.403.018	Maintained	Aluminum

For complete switch also order **A**

For complete switch also order **A**

For complete switch also order **A**

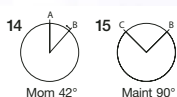


Choose one component from each of the colored sections to assemble a complete switch.

## Selector switch



Selector switch long lever 2 position, raised, 22.5mm mounting

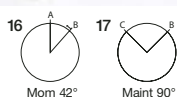


Drawing	Part No.	Action	Bezel
14	704.102.0	Momentary	Gray plastic
14	704.103.0	Momentary	Aluminum
15	704.100.0	Maintained	Gray plastic
15	704.101.0	Maintained	Aluminum

For complete switch also order **A**



Selector switch long lever 2 position, flush mount, 30.5mm mounting

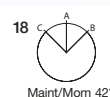


Drawing	Part No.	Action	Bezel
16	704.103.018	Momentary	Aluminum
17	704.101.018	Maintained	Aluminum

For complete switch also order **A**



Selector switch long lever 3 position, raised, 22.5mm mounting



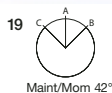
Drawing	Part No.	Action	Bezel
18	704.094.0	Momentary	Gray plastic
18	704.095.0	Momentary	Aluminum
18	704.092.0	Maintained	Gray plastic
18	704.093.0	Maintained	Aluminum

For complete switch also order **A**

## Selector switch



Selector switch long lever 3 position, flush mount, 30.5mm mounting



Drawing	Part No.	Action	Bezel
19	704.095.018	Momentary	Aluminum
19	704.093.018	Maintained	Aluminum

For complete switch also order **A**

## Buzzer



Buzzer, plastic bezel, raised, 22.5mm mounting, 24VDC, 95dB ± 8 at a distance of 0.1m



Buzzer, plastic bezel, flush mount, 30.5mm mounting, 24VDC, IP40, 95dB ± 8 at a distance of 0.1m

Part No.	Front finish
14-810.002	Black plastic
14-810.902	Chromium-plated

Part No.	Front finish
14-810.910	Black plastic
14-810.918	Chromium-plated



Choose one component from each of the colored sections to assemble a complete switch.  
For other options or further information please contact EAO Switch directly.



**Contact block**



Contact block, screw terminal, snap-action with silver self-cleaning contacts

Part No.	Contact type
704.900.1	1NO
704.900.2	1NC
704.900.3	2NO
704.900.4	2NC
704.900.5	1NO/1NC
Not recommended for	
Emergency-stop applications	

For complete switch also order



Contact block, screw terminal, slow-make (positive-break) with silver forced opening contacts

Part No.	Contact type
704.910.2	1NC
704.910.4	2NC
704.910.5	1NO/1NC
704.910.1	1NO
704.910.2	2NO

For complete switch also order

**LED**



LED, Ba9s (T-3¼ bayonet base), single chip, 6 Volt and 12 Volt

Color	Part No.	Voltage
Red	10-2506.1082	6VDC, 17mA
Yellow	10-2506.1084	6VDC, 17mA
Green	10-2506.1085	6VDC, 17mA
Blue	10-2506.1086	6VDC, 17mA
White	10-2506.1089	6VDC, 17mA
Red	10-2509.1142	12VAC/DC, 16mA
Yellow	10-2509.1144	12VAC/DC, 16mA
Green	10-2509.1145	12VAC/DC, 7mA
Blue	10-2509.1146	12VAC/DC, 16mA
White	10-2509.1149	12VAC/DC, 16mA

**LED**



LED, Ba9s, single chip, (T-3¼ bayonet base) 24 Volt and 28 Volt

Color	Part No.	Voltage
Red	10-2512.1142	24VAC/DC, 15mA
Yellow	10-2512.1144	24VAC/DC, 15mA
Green	10-2512.1145	24VAC/DC, 7mA
Blue	10-2512.1146	24VAC/DC, 15mA
White	10-2512.1149	24VAC/DC, 15mA
Red	10-2513.1142	28VAC/DC, 13mA
Yellow	10-2513.1144	28VAC/DC, 13mA
Green	10-2513.1145	28VAC/DC, 7mA
Blue	10-2513.1146	28VAC/DC, 13mA
White	10-2513.1149	28VAC/DC, 13mA



LED, Ba9s, (T-3¼ bayonet base) single chip, 48 Volt

Color	Part No.	Voltage
Red	10-2519.1052	48VAC/DC, 8mA
Yellow	10-2519.1054	48VAC/DC, 8mA
Green	10-2519.1055	48VAC/DC, 4mA
Blue	10-2519.1056	48VAC/DC, 8mA
White	10-2519.1059	48VAC/DC, 8mA



LED, Ba9s, (T-3¼ bayonet base) single chip, 130 Volt and 230 Volt

Color	Part No.	Voltage
Red	10-2H24.2052	130VAC / 5mA
Yellow	10-2H24.2054	130VAC / 5mA
Green	10-2H24.2055	130VAC / 3mA
Blue	10-2H24.2056	130VAC / 5mA
White	10-2H24.2059	130VAC / 5mA
Red	10-2H25.2042	230VAC / 3mA
Yellow	10-2H25.2044	230VAC / 3mA
Green	10-2H25.2045	230VAC / 2mA
Blue	10-2H25.2046	230VAC / 3mA
White	10-2H25.2049	230VAC / 3mA



Choose one component from each of the colored sections to assemble a complete switch.

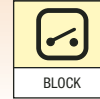
## A Accessories

<p>Lens cap, round, transparent, plastic for raised and flush indicators with bezel and pushbutton actuators</p>		<p>Protective cover, raised pushbutton</p>	<p>Protective front ring with silicon membrane for raised or flush mount pushbutton, natural anodized aluminum</p>		
Color	Part No.	Part No.	Comment	Part No.	Size
● Red	704.602.2	704.925.0	for pushbuttons	704.600.3	29mm Ø for raised pushbutton
● Yellow	704.602.4	704.925.3	for selector with short	704.955.3	35mm Ø for flush mount pushbutton
● Green	704.602.5		lever with "self return"		
● Blue	704.602.6				
○ Clear	704.602.7				
<p>For complete lens also order diffuser 704.609.9 (see page 21)</p>					

## A Accessories

<p>Emergency-stop protective shroud, yellow painted aluminum with 22.5mm mounting hole</p>		<p>Emergency-stop switch label, 60mm diameter, English, French and German with adhesive backing</p>	<p>Emergency-stop switch enclosure with 22.5mm mounting hole</p>	
Part No.	Part No.	Markings	Image	Part No.
Contact EAO Switch directly	704.963.6	Emergency stop	1	704.945.0
	704.963.5	Not Aus	2	704.945.6
	704.963.7	Arret D'urgence		
	44-950	Blank		
<p>90mm versions also available</p>				

Choose one component from each of the colored sections to assemble a complete switch.  
For other options or further information please contact EAO Switch directly.



**A Accessories**



Blanking plate



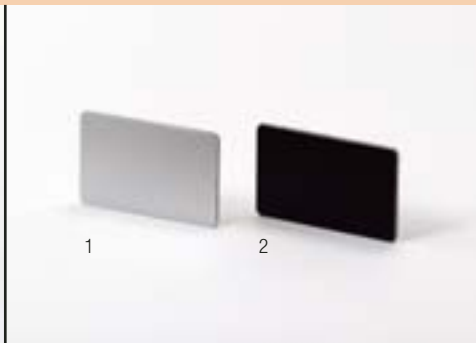
Lens, LED and lamp remover

Part No.	Mounting hole	Part No.	Part No.
704.960.7	22.5mm Ø	704.955.0	700.006.0
704.964.8	30.5mm Ø	704.955.1	

**A Accessories**



Legend plate, adhesive, natural anodized aluminum finish for raised and flush mount pushbuttons



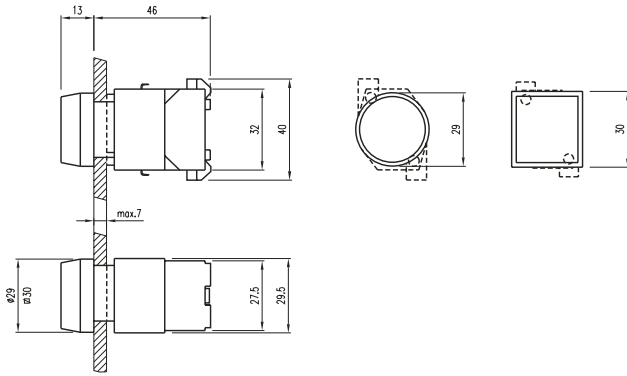
Label for front bezel set for 22.5 and 30.5mm flush mount with label support, self adhesive

Image	Part No.	Mounting hole	Image	Part No.
1	704.968.2	22.5mm Ø	1	704.968.0
2	704.968.3	30.5mm Ø	2	704.968.1



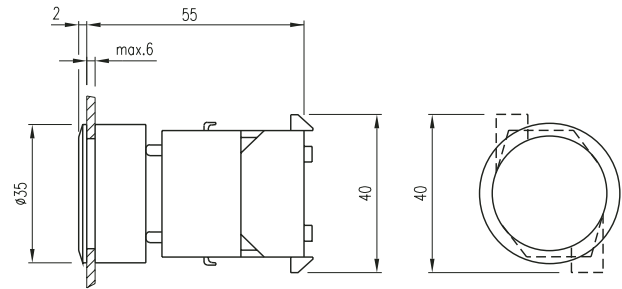
## 04 Indicator

Raised



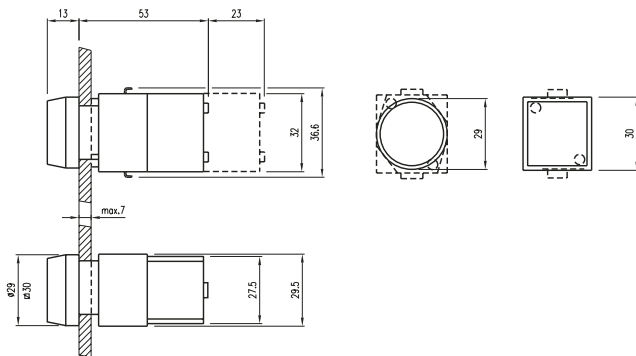
## 04 Indicator

Flush



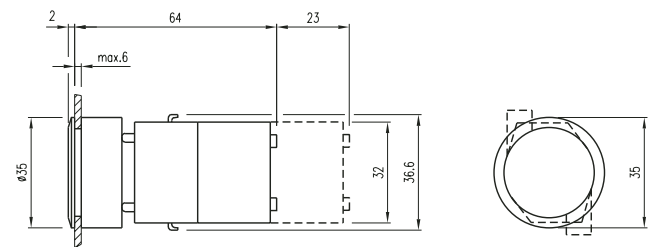
## 04 Pushbutton

Non-Illuminated, Raised



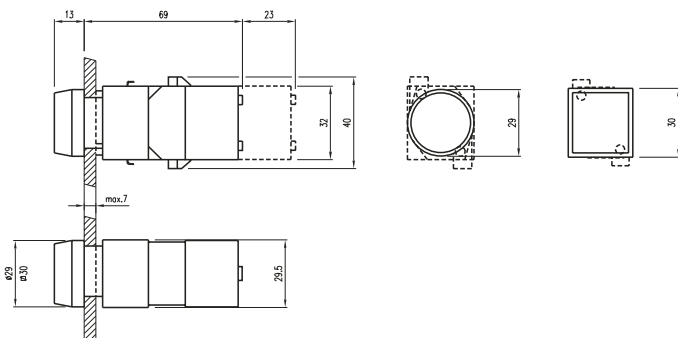
## 04 Pushbutton

Non-Illuminated, Flush



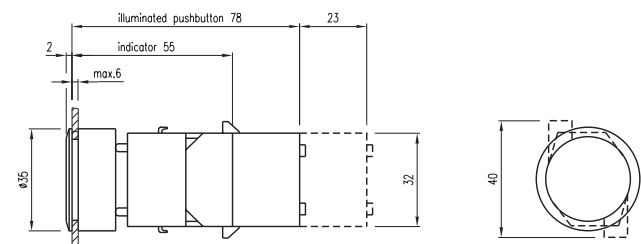
## 04 Pushbutton

Illuminated, Raised



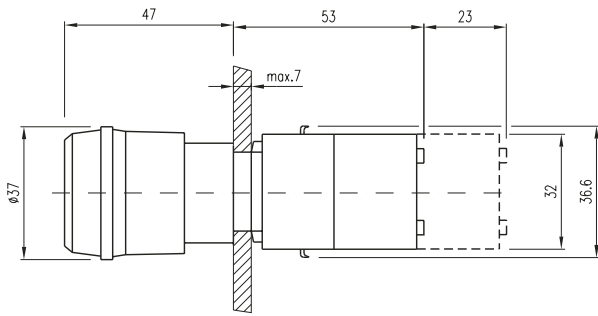
## 04 Pushbutton

Illuminated, Flush



## 04 E-Stop

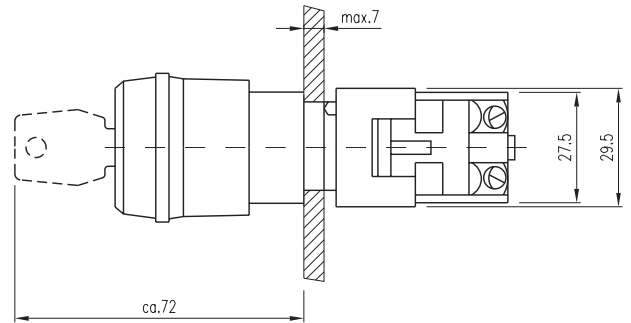
EN 418



twist to release

## 04 E-Stop

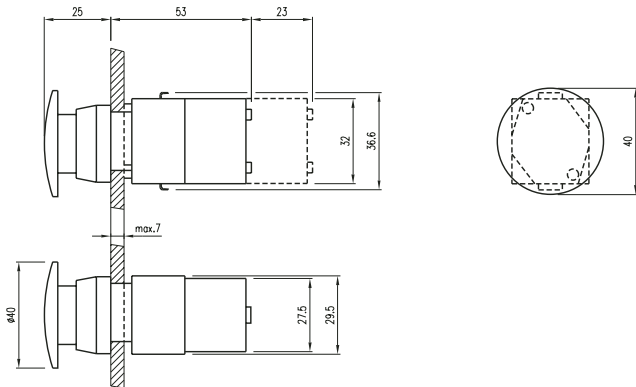
EN 418 with optional key



key to unlock

## 04 E-Stop Mushroom

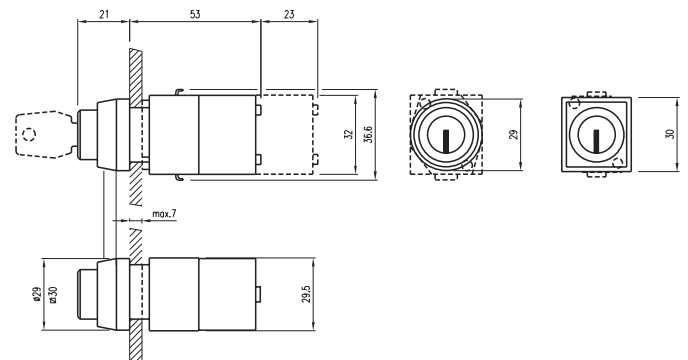
Pushbutton Mushroom



twist to release

## 04 Keylock

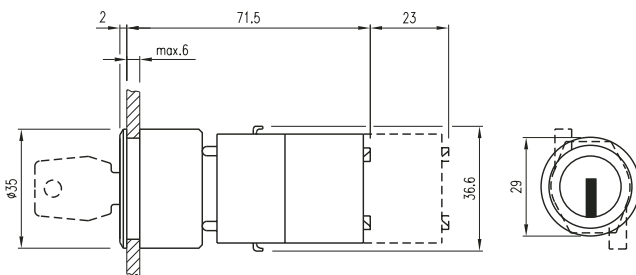
2-Position, 3-Position, Raised



twist to release

## 04 Keylock

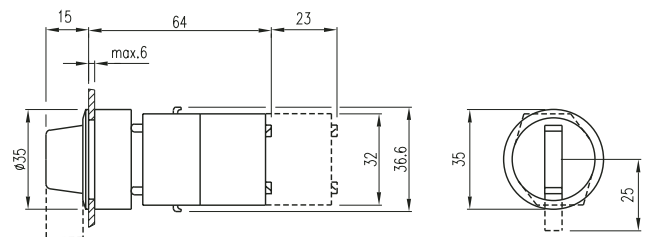
2-Position, 3-Position, Flush



twist to release

## 04 Selector

2-Position, 3-Position, Short and Long, Flush

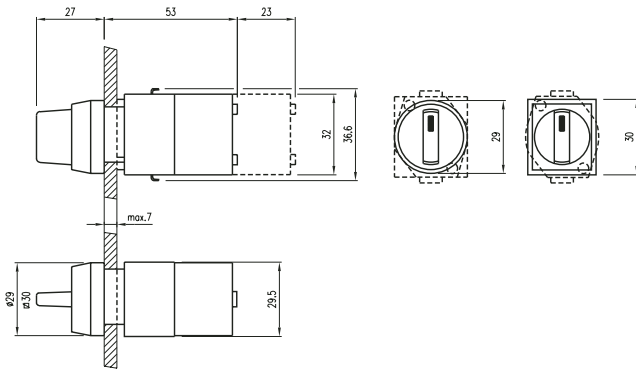


twist to release



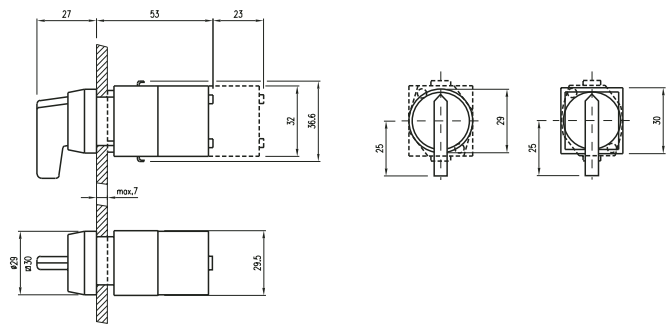
## 04 Selector, Short Lever

2-Position, 3-Position, Raised



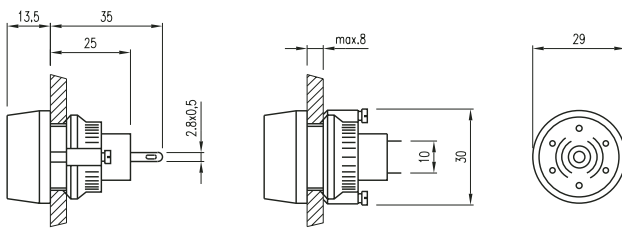
## 04 Selector, Long Lever

2-Position, 3-Position, Raised



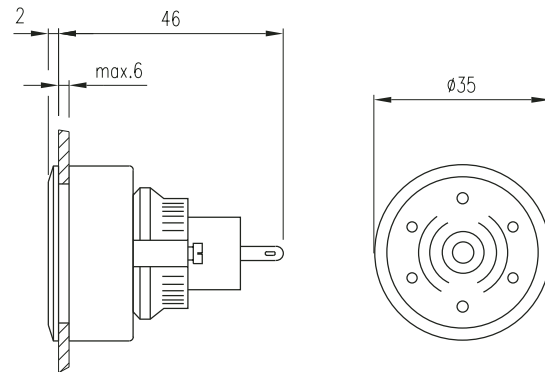
## 04 Buzzer

Raised



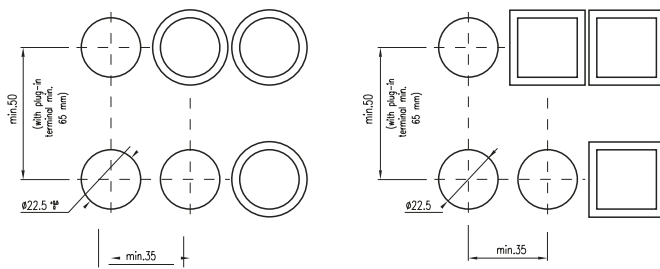
## 04 Buzzer

Flush



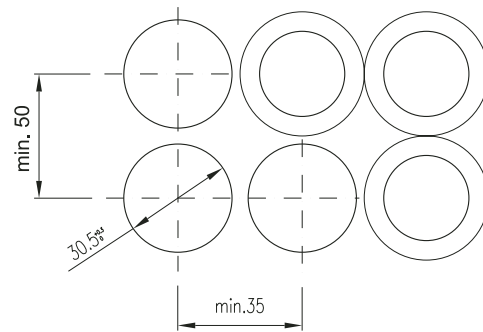
## 04 Cut-outs, Raised Mounting

(All but long lever)

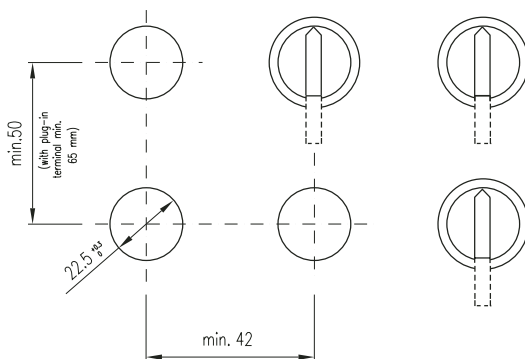


## 04 Cut-outs, Flush Mounting

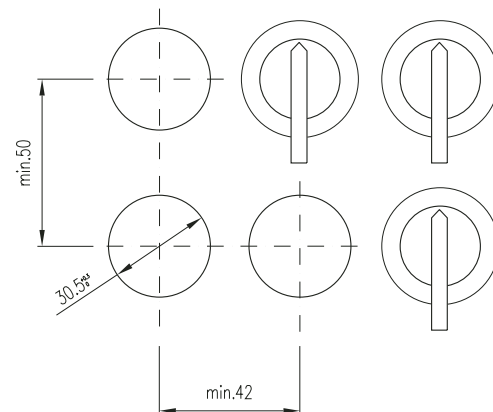
(All but long lever)



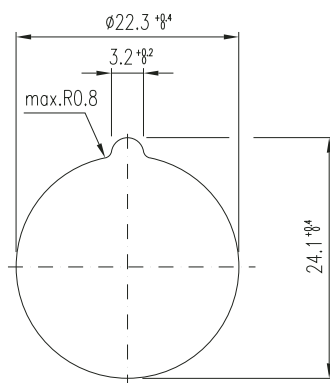
## 04 Long Lever Cut-outs, Raised Mounting



## 04 Long Lever Cut-outs, Flush Mounting

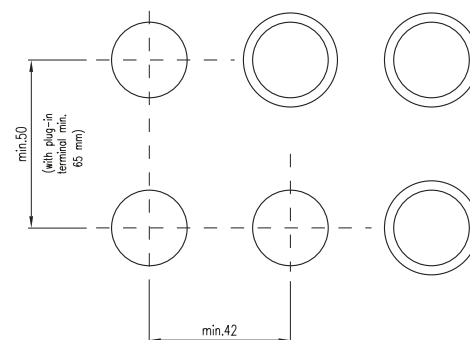


## 04 E-Stop EN418 Cut-outs



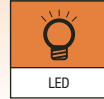
## 04 E-Stop Mushroom Cut-outs

Pushbutton Mushroom





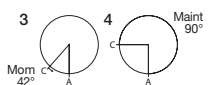
Choose one component from each of the colored sections to assemble a complete switch.  
For other options or further information please contact EAO Switch directly.



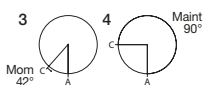
**Selector switch** **Buzzer**



Selector switch short lever  
2 position, raised, snap-  
action, solder terminals



Selector switch long lever  
2 position, raised, snap-  
action, solder terminals



Buzzer, plastic bezel, raised, 22.5mm mounting,  
24VDC, IP65, 95dB ± 8 at a distance of 0.1m

Drawing	Part No.	Action	Contact type	Drawing	Part No.	Action	Contact type	Part No.	Product description
3	14-501.025	Momentary	1NC/1NO	3	14-551.025	Momentary	1NO/1NC	14-810.002	Black plastic
4	14-506.025	Maintained	1NC/1NO	4	14-556.025	Maintained	1NO/1NC	14-810.902	Chromium-plate
For flush mount order bezel 704.955.0 or 704.955.1									

For complete switch also order **A**

For complete switch also order **A**

**Buzzer** **LED**



Buzzer, plastic bezel, flush mount,  
30.5mm mounting, 24VDC, IP40,  
95dB ± 8 at a distance of 0.1m



LED, T-5.5, single chip, 6 Volt and 12 Volt



LED, T-5.5, single chip, 24 Volt and 28 Volt

Part No.	Front finish	Color	Part No.	Voltage	Color	Part No.	Voltage
14-810.910	Black plastic	Red	10-2106.3142	6VDC/15mA	Red	10-2112.1062	24VAC/DC, 7/14mA
14-810.918	Chromium-plated	Yellow	10-2106.3144	6VDC/15mA	Yellow	10-2112.1064	24VAC/DC, 7/14mA
		Green	10-2106.3145	6VDC/7mA	Green	10-2112.1065	24VAC/DC, 4/7mA
		Blue	10-2106.3146	6VDC/15mA	Blue	10-2112.1066	24VAC/DC, 7/14mA
		White	10-2106.3149	6VDC/15mA	White	10-2112.1069	24VAC/DC, 7/14mA
		Red	10-2109.1062	12VAC/DC, 7/14mA	Red	10-2113.1062	28VAC/DC, 7/14mA
		Yellow	10-2109.1064	12VAC/DC, 7/14mA	Yellow	10-2113.1064	28VAC/DC, 7/14mA
		Green	10-2109.1065	12VAC/DC, 4/7mA	Green	10-2113.1065	28VAC/DC, 4/7mA
		Blue	10-2109.1066	12VAC/DC, 7/14mA	Blue	10-2113.1066	28VAC/DC, 7/14mA
		White	10-2109.1069	12VAC/DC, 7/14mA	White	10-2113.1069	28VAC/DC, 7/14mA



Choose one component from each of the colored sections to assemble a complete switch. For other options or further information please contact EAO Switch directly.

### LED

LED, T-5.5, single chip, 48 Volt

Color	Part No.	Voltage
Red	10-2119.1042	48VAC/DC, 4/8mA
Yellow	10-2119.1044	48VAC/DC, 4/8mA
Green	10-2119.1045	48VAC/DC, 2/4mA
Blue	10-2119.1046	48VAC/DC, 4/8mA
White	10-2119.1049	48VAC/DC, 4/8mA

### A Accessories

Lens, plastic for raised, round indicator body, full face

Color	Part No.
Red	704.603.2
Yellow	704.603.4
Green	704.603.5
Blue	704.603.6
Clear	704.603.7

For complete lens also order diffuser 704.608.9

Lens cap, round, transparent, plastic for raised and flush indicators with bezel and pushbutton actuators

Color	Part No.
Red	704.602.2
Yellow	704.602.4
Green	704.602.5
Blue	704.602.6
Clear	704.602.7
Black	704.602.0

For complete lens also order diffuser 704.609.9

### A Accessories

Aluminum raised bezel, grey plastic raised bezel and flush mount aluminum bezel

Image	Part No.	Product description
1	704.600.1	Aluminum raised bezel
2	704.600.6	Grey plastic bezel
3	704.955.1	Flush mount aluminum bezel
4	704.955.0	Flush mount bezel black

Protective cover, raised pushbutton

Part No.
704.925.0

Protective front ring with silicon membrane for raised or flush mount pushbutton, natural anodized aluminum

Part No.	Size
704.600.3	29mm diameter for raised pushbutton
704.955.3	35mm diameter for flush mount pushbutton



Choose one component from each of the colored sections to assemble a complete switch.  
For other options or further information please contact EAO Switch directly.



**A Accessories**



Blanking plate



LED and lens/lamp remover



Marking plate for full face indicator and marking plate

Part No.	Mounting hole	Image	Part No.	Product description	Image	Part No.	Product description
704.960.7	22.5mm Ø	1	51-996	LED remover	1	704.608.9	Diffuser full face (white)
704.964.8	30.5mm Ø	2	700.006.0	Lens and lamp remover	2	704.609.9	Diffuser (white)

**A Accessories**



Legend plate, adhesive, natural anodized aluminum finish for raised and flush mount pushbuttons



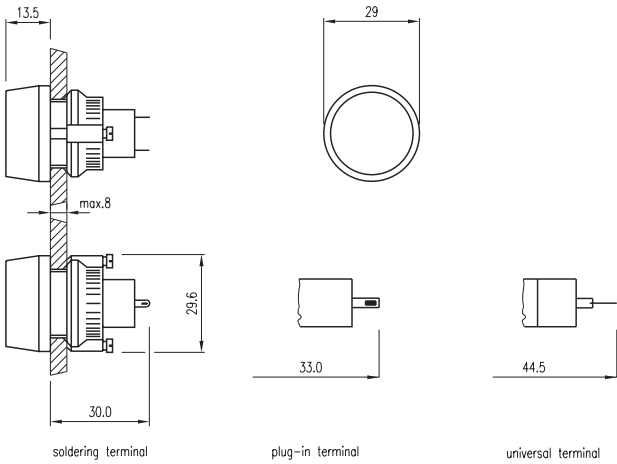
Label for front bezel set for 22.5 and 30.5mm flush mount with label support, self adhesive

Image	Part No.	Mounting hole	Image	Part No.
1	704.968.2	22.5mm Ø	1	704.968.0
2	704.968.3	30.5mm Ø	2	704.968.1



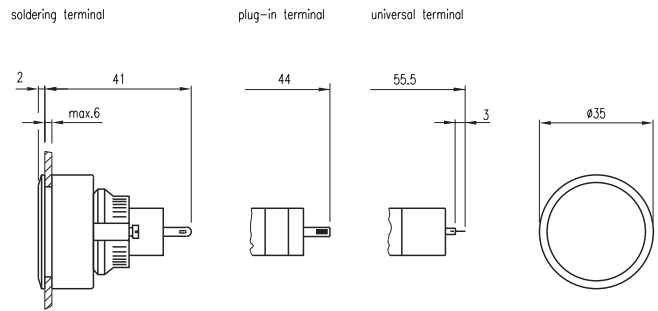
## 14 Indicator

Raised



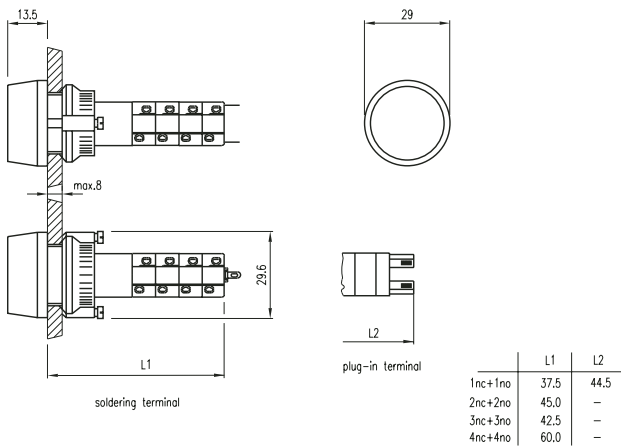
## 14 Indicator

Flush



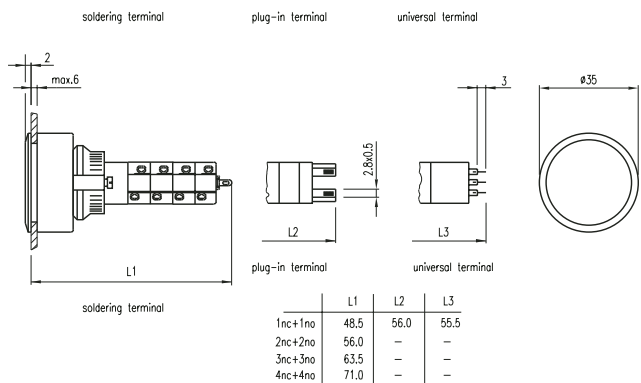
## 14 Pushbutton

Illuminated, Raised Solder



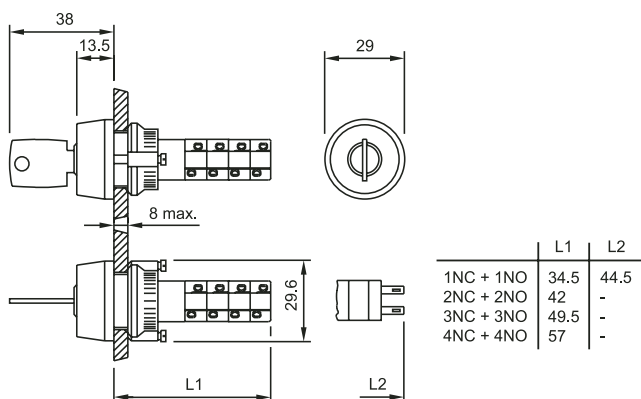
## 14 Pushbutton

Illuminated, Flush Solder, QC Terminals



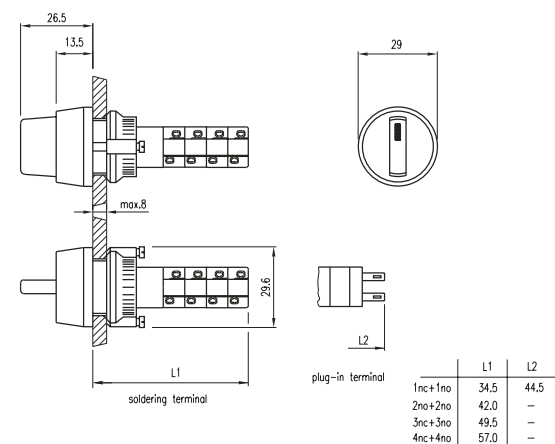
## 14 Keylock

2-Position



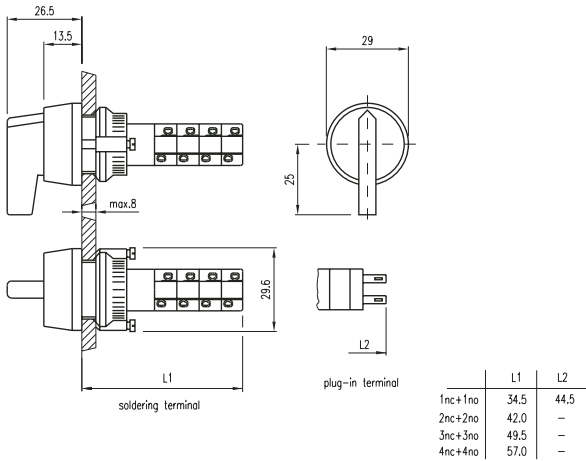
## 14 Selector, Short Lever

2-Position



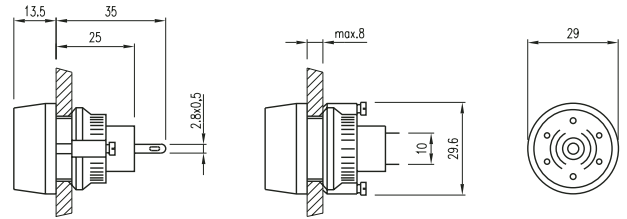
## 14 Selector, Long Lever

2-Position



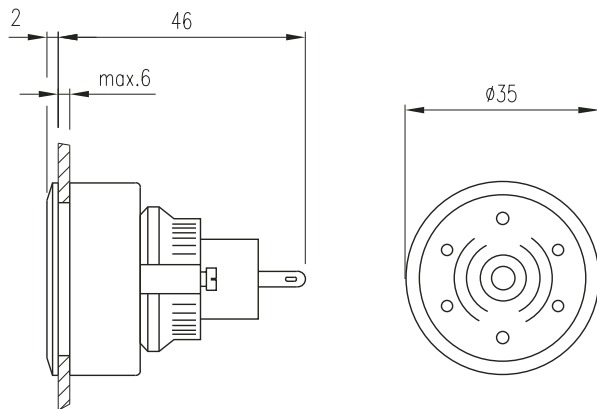
## 14 Buzzer

Raised



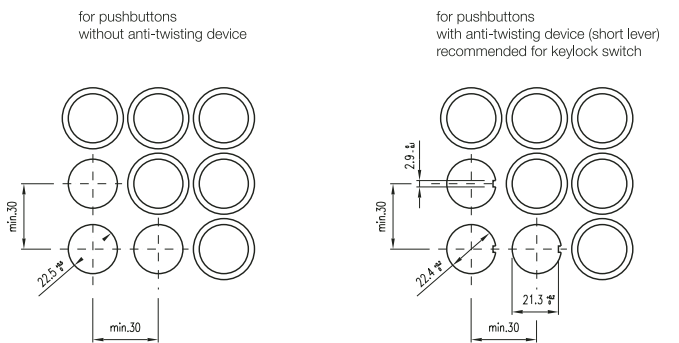
## 14 Buzzer

Flush



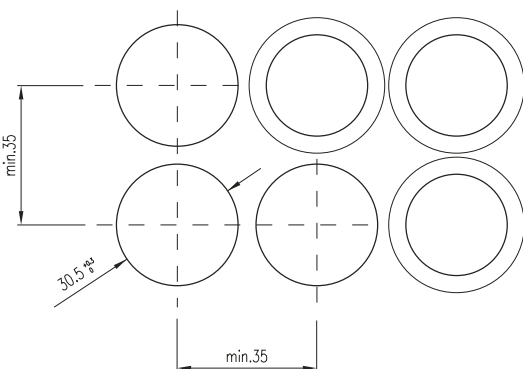
## 14 Cut-outs

Raised, Pushbuttons, Indicators, Keylocks, Short Lever



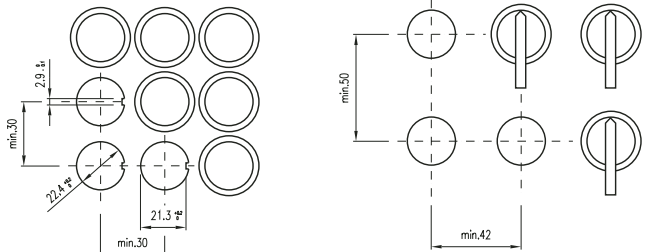
## 14 Cut-outs

Flush, Buzzer, Pushbutton, Indicator



## 14 Cut-outs

2-Position, Long, Lever Raised



# Series 17

6mm 8mm 14mm IP40/IP67 24VDC 230VAC



For other options or further information please contact EAO Switch directly.

## Product Profile

The Series 17 panel mount indicators are available in red, yellow, green or multi color illumination options. They can be mounted in 6, 8 or 14mm diameter holes. The integral series resistor allows direct connection to 24VDC or up to 230VAC.

- 6mm sealed to IP40, all other sizes to IP67
- Plug-in terminals 2.0 x 0.5mm or 2.8 x 0.8mm
- Internal or external reflector
- Front available in chromium-plated, silver or black
- Sizes up to 22.5mm available

## Indicator



Indicator, flat reflector, 3mm LED, 24VDC, 6mm mounting

Color	Part No.
● Red	17-000350
● Yellow	17-000352
● Green	17-000351



Indicator, external reflector, 3mm LED, 24VDC, 6mm mounting

Color	Part No.
● Red	17-020350
● Yellow	17-020352
● Green	17-020351

## Indicator



Indicator, internal reflector, 3mm LED, 24VDC, 6mm mounting

Color	Part No.
● Red	17-030350
● Yellow	17-030352
● Green	17-030351
● Yellow/Green	17-030356



Indicator, flat, internal reflector, 5mm LED, 24VDC, 8mm mounting

Color	Part No.
● Red	17-010350
● Yellow	17-010352
● Green	17-010351



Indicator, external reflector, 5mm LED, 24VDC, 8mm mounting

Color	Part No.
● Red	17-040350
● Yellow	17-040352
● Green	17-040351

For other options or further information please contact EAO Switch directly.

 Indicator



Indicator, external reflector, 5mm LED, 24VDC, 8mm mounting

Color	Part No.
Red	17-041350
Yellow	17-041352
Green	17-041351



Indicator, internal reflector, 5mm LED, 24VDC, 8mm mounting

Color	Part No.
Red	17-050350
Yellow	17-050352
Green	17-050351



Indicator, flat reflector, 5mm LED, 24VDC, 8mm mounting, tri-color

Color	Part No.
Red/Yellow/Green	17-100354

 Indicator



Indicator, external reflector, 5mm LED, 24VDC, 8mm mounting, bi-color

Color	Part No.
Red/Green	17-120354



Indicator, internal reflector, 5mm LED, 24VDC, 8mm mounting, bi-color

Color	Part No.
Red/Green	17-130354



Indicator, internal reflector, 5mm LED, 230VAC, 8mm mounting

Color	Part No.
Red	17-500430
Yellow	17-500432
Green	17-500431



For other options or further information please contact EAO Switch directly.

## Indicator



Indicator, external reflector, 5mm LED, 230VAC, 8mm mounting

Color	Part No.
Red	17-510430
Yellow	17-510432
Green	17-510431



Indicator, internal/external reflector, 10mm LED, 24VDC, 14mm mounting

Color	Part No.
Red	17-210350
Yellow	17-210352
Green	17-210351
Red/Green/ Yellow	17-240354



Indicator, internal/external reflector, 10mm LED, 230VAC, 14mm mounting

Color	Part No.
Red	17-350230
Yellow	17-350232
Green	17-350231



EAO has developed teams of Human Machine Interface application specialists with an in-depth knowledge of various industry sectors.



By understanding the requirements of our customers' projects, we are able to add value from concept (providing advice and ergonomic design) through to production.

EAO operates a 6 step project development process. The benefit to you, our customers, is the ability for you to focus on core business, save costs and achieve maximum efficiency in the implementation of product development without having to worry about creating concepts for complex Human Machine Interface systems.

## T0 Partnership

EAO adds expert knowledge, creativity and innovative flair to its customer projects.

## T1 Challenge

EAO analyzes the task with its customers and works out possible solutions.

## T2 Concept

EAO examines all the technical, ergonomic and commercial specifications involved in the solution. Re-engineering using CAD, circuit diagrams and prototypes based on application-oriented tests.

## T3 Development

EAO takes care of the detailed development of the solution while at the same time exchanging information with its customers.

## T4 Production

Reliable processes and results - EAO coordinates implementation of the solution to suit its customer's end product.

## T5 Customer service

EAO has a global presence and can always be contacted. Wherever our customers and their customers are, EAO stays in touch.

# Series 18

16mm 15.8 x 15.8mm IP40 100mA 42VAC/DC



Choose one component from each of the colored sections to assemble a complete switch.  
For other options or further information please contact EAO Switch directly.

## Product Profile

The Series 18 is a range of small switches with low back panel depth profile and includes pushbuttons and indicators.

Options include round, square and rectangular front shape.

Technical drawings see pages 34-35

- IP40 Protection
- Switch Rating, 100mA, 42VAC/DC
- Raised Mounting into 8mm cut out
- Flush Mounting into 16mm or 15.8mm x 15.8mm cut out
- Illumination using Integral LED's
- Solder/Plug-in terminals
- Low back Panel depth
- Adapters available for PCB mounting
- Raised panel mount version also available

## Indicator



Indicator, square, flush mount, black plastic bezel, 15.8mm x 15.8mm mounting

Color	Part No.	Voltage
Red	18-080.0052	2.2VDC, 20mA
Yellow	18-080.0054	2.2VDC, 20mA
Green	18-080.0055	2.2VDC, 20mA
Red	18-081.0052	12VDC, 20mA
Yellow	18-081.0054	12VDC, 20mA
Green	18-081.0055	12VDC, 20mA
Red	18-082.0052	24VDC, 20mA
Yellow	18-082.0054	24VDC, 20mA
Green	18-082.0055	24VDC, 20mA
Need flush bezel set to complete switch		

For complete switch also order **A**



Indicator, round, flush mount, black plastic bezel, 15.8mm x 15.8mm or 16mm mounting

Color	Part No.	Voltage
Red	18-060.0052	2.2VDC, 20mA
Yellow	18-060.0054	2.2VDC, 20mA
Green	18-060.0055	2.2VDC, 20mA
Red	18-061.0052	12VDC, 20mA
Yellow	18-061.0054	12VDC, 20mA
Green	18-061.0055	12VDC, 20mA
Red	18-062.0052	24VDC, 20mA
Yellow	18-062.0054	24VDC, 20mA
Green	18-062.0055	24VDC, 20mA
Need flush bezel set to complete switch		

For complete switch also order **A**

## Illuminated pushbutton



Illuminated pushbutton actuator, square for flush mount, black plastic bezel, 15.8mm x 15.8mm mounting

Part No.	Action	Contact type
18-187.035	Momentary	1NO
18-287.035	Maintained	1NO
18-188.035	Momentary	1NC
18-288.035	Maintained	1NC
Need lens, flush bezel set to complete switch		

For complete switch also order **A**



Illuminated pushbutton actuator, round for flush mount, black plastic bezel, 15.8mm x 15.8mm or 16mm mounting

Part No.	Action	Contact type
18-167.035	Momentary	1NO
18-267.035	Maintained	1NO
18-168.035	Momentary	1NC
18-268.035	Maintained	1NC
Need lens, flush bezel set to complete switch		

For complete switch also order **A**

## Accessories



Lens, square, plastic, overhanging with 2.2VDC LED for flush mount, without built in resistor, flat, translucent/matt

Color	Part No.
Red	18-981.2
Yellow	18-981.4
Green	18-981.5
Non-illuminated lenses:	
Red	18-982.2
Yellow	18-982.4
Green	18-982.5

Choose one component from each of the colored sections to assemble a complete switch.  
For other options or further information please contact EAO Switch directly.



**A Accessories**



Lens, round, plastic, overhanging with 2.2VDC LED for flush mount, without built in resistor, flat, translucent/matt

Color	Part No.
● Red	18-961.2
● Yellow	18-961.4
● Green	18-961.5
	Non-illuminated lenses:
● Red	18-962.2
● Yellow	18-962.4
● Green	18-962.5



Front bezel-set flush mount for overhanging lenses, black plastic

Part No.	Size	Product description
18-920.1	19 x 19mm	For lens square
18-920.2	19 x 19mm	For lens round
18-920.3	19mm Ø	For lens round



PCB plug-in base for solder terminal

Part No.	Orientated
18-946	Right-angled
18-945	Axial

**A Accessories**



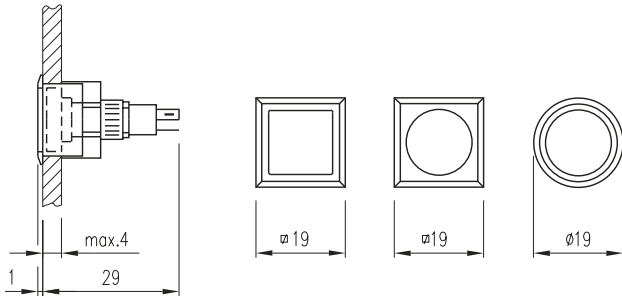
Mounting tool for tightening (or loosening) fixing nuts, starting torque fixing nut max. 20 Ncm and flush lens remover

Part No.	Product description
19-905	Mounting tool
18-910	Mounting tool, lens remover for flush



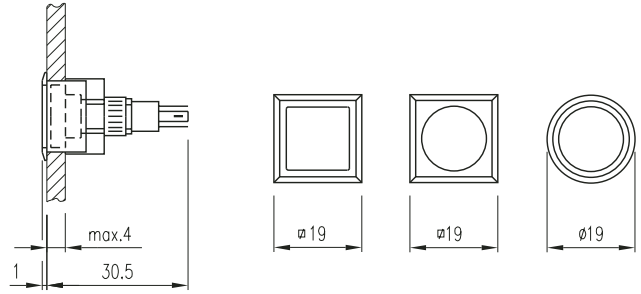
## 18 Indicator

Square or Round, Flush



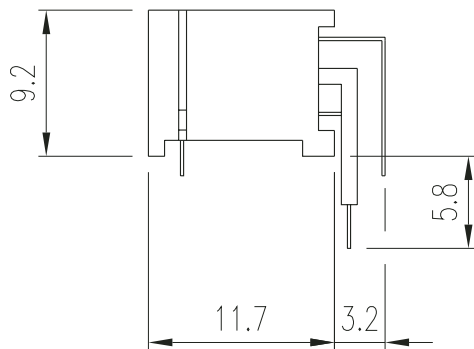
## 18 Pushbutton

Illuminated, Square or Round, Flush



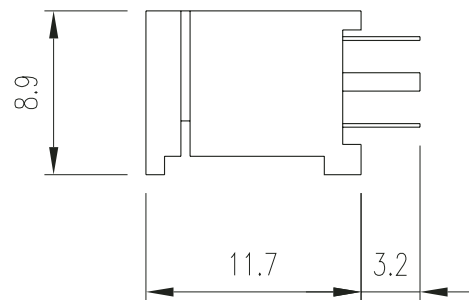
## 18 PCB

Plug-in base, right angle



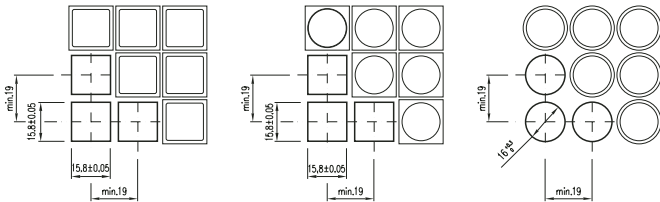
## 18 PCB

Plug-in base

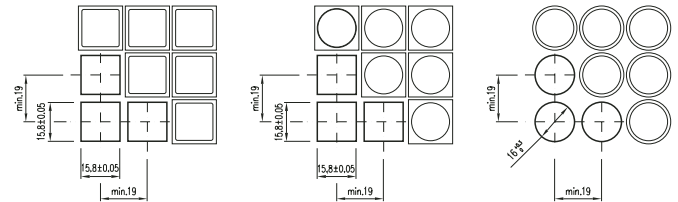


## 18 Indicator and Pushbutton Cut-outs

Square or round, Illuminated, Flush

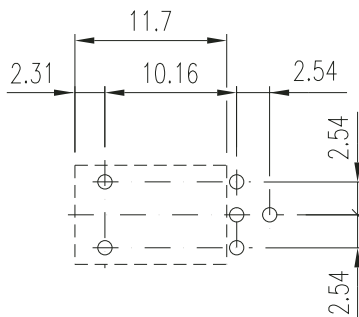


## 18 Front Bezel Set Cut-outs

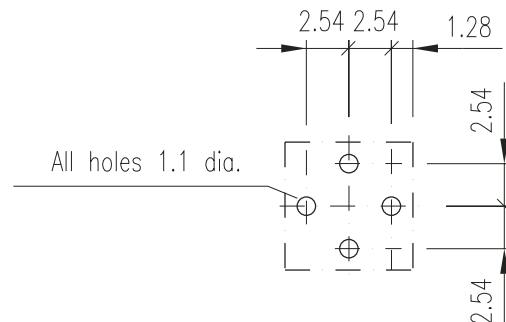


## 18 PCB Cut-outs

Plug-in base, right angle

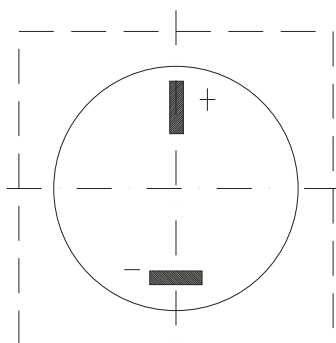


## 18 PCB Cut-outs



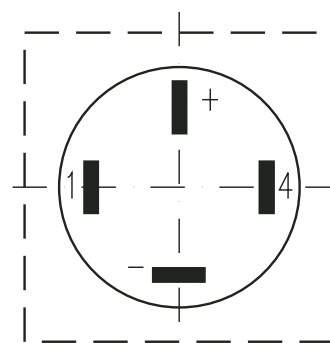
## 18 Indicator Terminal-layouts

Square or round, Flush



## 18 Pushbutton Terminal-layouts

Square or round, Illuminated, Flush







Choose one component from each of the colored sections to assemble a complete switch.  
For other options or further information please contact EAO Switch directly.

## Product Profile

The Series 22 is a high quality switch range that includes pushbuttons, indicators, mushroom headed switches and key switches.

Options include:

Technical drawings see page 39

- IP65 Protection
- Switch Rating, 10A, 400VAC/DC
- Self cleaning snap-action switching elements.
- Mounting into 22 x 30mm cut out
- Illumination using T-1<sup>3/4</sup> Lamps or LED's
- The standard lenses are available in many different versions, transparent, opaque or translucent
- Screw terminal or plug-in connections

## Indicator



Indicator body raised, rectangular, black plastic

Part No.
22-040.001

## Illuminated pushbutton



Illuminated pushbutton actuator, raised, rectangular, black plastic, screw terminals

Part No.	Action	Contact type
22-211.011	Momentary	1NO
22-212.011	Momentary	1NC
22-213.011	Momentary	2NO
22-214.011	Momentary	2NC
22-215.011	Momentary	1NO/1NC
22-221.011	Maintained	1NO
22-222.011	Maintained	1NC
22-223.011	Maintained	2NO
22-224.011	Maintained	2NC
22-225.011	Maintained	1NO/1NC

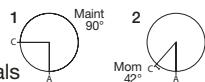
For complete switch also order **A**

For complete switch also order **A**

## Keylock switch



Keylock switch actuator, 2 position raised, rectangular, screw terminals



Drawing	Part No.	Contact type	Key rem.
1	22-331.111D	1NO	A
1	22-331.311D	1NO	C
1	22-331.511D	1NO	A+C
1	22-333.111D	2NO	A
1	22-333.311D	2NO	C
1	22-333.511D	2NO	A+C
1	22-335.111D	1NC/1NO	A
1	22-335.311D	1NC/1NO	C
1	22-335.511D	1NC/1NO	A+C
2	22-351.111D	1NO	A
2	22-353.111D	2NO	A
2	22-355.111D	1NC/1NO	A

## LED



LED, T-1 3/4 MG, single chip, 12 Volt and 28 Volt. Also available in 6 Volt, 24 Volt and 48 Volt.

Color	Part No.	Voltage
Red	10-2J09.1062	12VAC/DC, 7/14mA
Yellow	10-2J09.1064	12VAC/DC, 7/14mA
Green	10-2J09.1065	12VAC/DC, 4/7mA
Blue	10-2J09.1066	12VAC/DC, 7/14mA
White	10-2J09.1069	12VAC/DC, 7/14mA
Red	10-2J13.1062	28VAC/DC, 7/14mA
Yellow	10-2J13.1064	28VAC/DC, 7/14mA
Green	10-2J13.1065	28VAC/DC, 4/7mA
Blue	10-2J13.1066	28VAC/DC, 7/14mA
White	10-2J13.1069	28VAC/DC, 7/14mA

## Accessories



Translucent lens, flat with white translucent diffuser for rectangular indicator and pushbutton actuators

Color	Part No.
Red	22-901.2
Yellow	22-901.4
Green	22-901.5
Blue	22-901.6
White	22-901.9

For complete switch also order **A**



Choose one component from each of the colored sections to assemble a complete switch.  
For other options or further information please contact EAO Switch directly.



**A Accessories**



Lens, opaque for rectangular pushbutton actuators, not for illumination

Color	Part No.
● Grey	22-901.8



Transparent lens, flat with white translucent diffuser for rectangular indicator and pushbutton actuators

Color	Part No.
● Red	22-903.2
● Yellow	22-903.4
● Green	22-903.5
● Blue	22-903.6
○ Clear	22-903.7



Transparent lens, flat with white translucent diffuser for rectangular indicator and pushbutton actuators

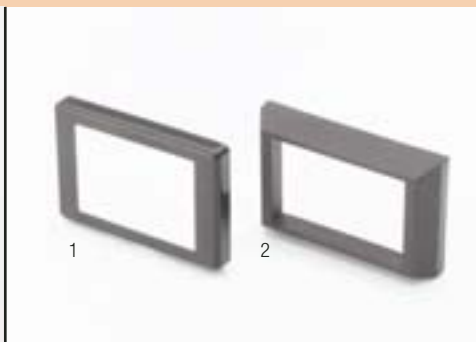
Color	Part No.
● Red	22-905.2
● Yellow	22-905.4
● Green	22-905.5
○ Clear	22-905.7

**A Accessories**



Mushroom head cap, not for illumination, opaque, red

Part No.
22-930.2



Front bezel flat and raised, black plastic

Image	Part No.	Product description
1	02-965.0	Front bezel flat
2	02-967.0	Front bezel raised

Must be ordered to complete switch/indicator



Flap guard, raised, rectangular

Part No.
22-925



Choose one component from each of the colored sections to assemble a complete switch.  
For other options or further information please contact EAO Switch directly.

## A Accessories



Blanking plate



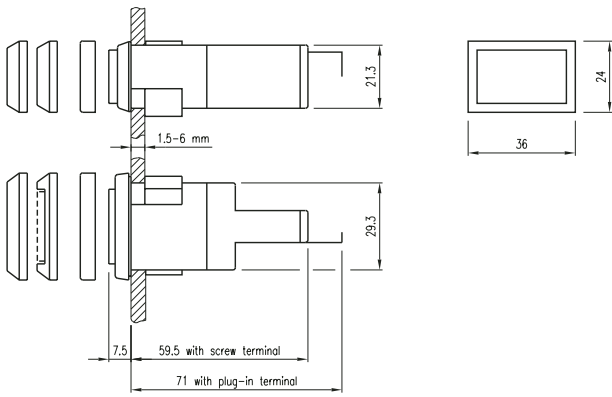
Lens remover for flat bezel, lens remover for raised bezel and LED and lamp remover

Part No.	Image	Part No.	Product description
22-949.0	1	02-905	Lens remover for flat bezel
	2	98-968	Lens remover for raised bezel
	3	51-996	LED remover
	4	02-906	Lamp remover



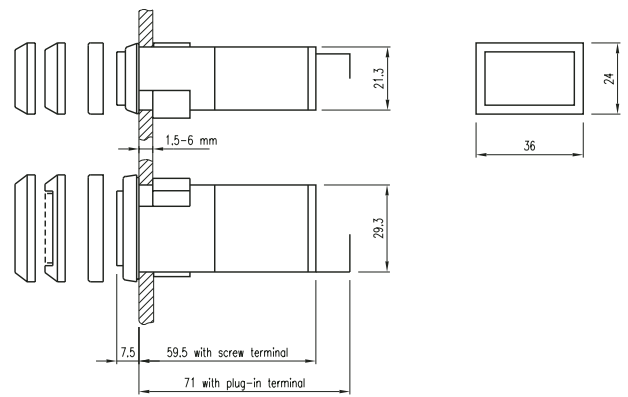
## 22 Indicator

Raised



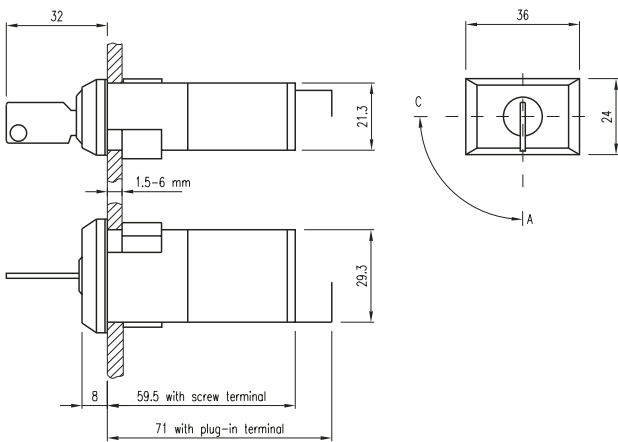
## 22 Pushbutton

Illuminated, Raised



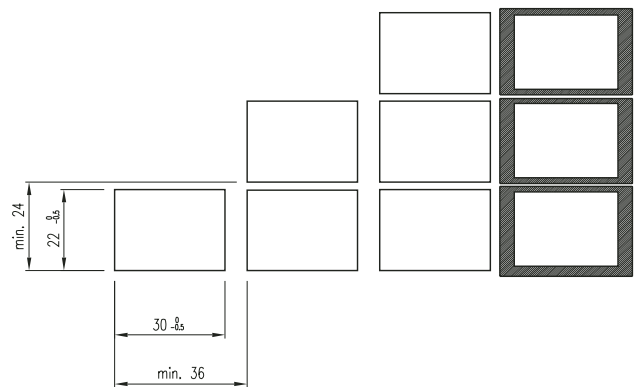
## 22 Keylock

2-Position, Raised



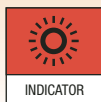
## 22 Cut-outs

For all Series 22



# Series 31

16mm IP40 5A 250VAC



Choose one component from each of the colored sections to assemble a complete switch.  
For other options or further information please contact EAO Switch directly.

## Product Profile

The Series 31 is a high quality switch range that includes pushbuttons, indicators and buzzers. It is possible to choose up to 4NO/4NC snap-action switching elements per switch. Low level switching elements are also available.

Technical drawings see page 43

- IP40 Protection
- Switch Rating, 5A, 250VAC
- Raised Mounting into 16mm cut out
- Illumination using midget-grooved T-1<sup>3</sup>/<sub>4</sub> lamps or single chip LED's
- All standard lenses are transparent with translucent white diffuser and are available in different colors
- Buzzers voltage from 10 to 75VDC

## Indicator



Indicator bodies, raised in round, square and rectangular, black plastic, 16mm mounting, solder terminals

Image	Part No.	Size
1	31-040.005	18 x 24mm
2	31-050.005	18 x 18mm
3	31-030.005	18mm Ø

QC terminal versions also available

For complete switch also order **A**

## Illuminated pushbutton



Illuminated pushbutton actuator, snap-action, raised, rectangular, black plastic, 16mm mounting, solder terminals, gold over silver contacts

Part No.	Action	Contact Type	Size
31-121.025	Momentary	1NO/1NC	18 x 24mm
31-122.025	Momentary	2NO/2NC	18 x 24mm
31-261.025	Maintained	1NO/1NC	18 x 24mm
31-262.025	Maintained	2NO/2NC	18 x 24mm

QC terminal versions also available

For complete switch also order **A**

## Illuminated pushbutton



Illuminated pushbutton actuator, snap-action, raised, square, black plastic, 16mm mounting, solder terminals, gold over silver contacts

Part No.	Action	Contact type	Size
31-151.025	Momentary	1NO/1NC	18 x 18mm
31-152.025	Momentary	2NO/2NC	18 x 18mm
31-281.025	Maintained	1NO/1NC	18 x 18mm
31-282.025	Maintained	2NO/2NC	18 x 18mm

QC terminal versions also available

For complete switch also order **A**

## Buzzer



Buzzer, plastic bezel, raised, rectangular, 16mm mounting, continuous or intermittent tone, 88dB ± 8 at a distance of 0.1m

Part No.	Action	Contact type	Size	Image	Part No.	Voltage	Connection
31-131.025	Momentary	1NO/1NC	18mm Ø	1	31-810.005	10 - 55VAC/10 - 75VDC	PCB
31-132.025	Momentary	2NO/2NC	18mm Ø	2	31-801.002	10 - 26VDC	QC terminals
31-271.025	Maintained	1NO/1NC	18mm Ø				
31-272.025	Maintained	2NO/2NC	18mm Ø				

QC terminal versions also available

For complete switch also order **A**

Choose one component from each of the colored sections to assemble a complete switch.  
For other options or further information please contact EAO Switch directly.



**LED**



LED, T-1 $\frac{3}{4}$ , MG, single chip, 12 Volt and 28 Volt.  
Also available in 6 Volt, 24 Volt and 48 Volt.

Color	Part No.	Contact type
● Red	10-2J09.1062	12VAC/DC, 7/14mA
● Yellow	10-2J09.1064	12VAC/DC, 7/14mA
● Green	10-2J09.1065	12VAC/DC, 4/7mA
● Blue	10-2J09.1066	12VAC/DC, 7/14mA
○ White	10-2J09.1069	12VAC/DC, 7/14mA
● Red	10-2J13.1062	28VAC/DC, 7/14mA
● Yellow	10-2J13.1064	28VAC/DC, 7/14mA
● Green	10-2J13.1065	28VAC/DC, 4/7mA
● Blue	10-2J13.1066	28VAC/DC, 7/14mA
○ White	10-2J13.1069	28VAC/DC, 7/14mA

**A Accessories**



Lens, opaque for rectangular pushbutton actuators, not for illumination

Color	Part No.	Size
● Black	31-901.0	18 x 24mm



Lens, front transparent with white diffuser for rectangular indicator and pushbutton actuator

Color	Part No.	Size
● Red	31-903.2	18 x 24mm
● Yellow	31-903.4	18 x 24mm
● Green	31-903.5	18 x 24mm
● Blue	31-903.6	18 x 24mm
○ Clear	31-903.7	18 x 24mm

**A Accessories**



Lens, opaque for square pushbutton actuators, not for illumination

Color	Part No.	Size
● Black	31-951.0	18 x 18mm



Lens, front transparent with white diffuser for square indicator and pushbutton actuator

Color	Part No.	Size
● Red	31-953.2	18 x 18mm
● Yellow	31-953.4	18 x 18mm
● Green	31-953.5	18 x 18mm
● Blue	31-953.6	18 x 18mm
○ Clear	31-953.7	18 x 18mm



Lens, opaque for round pushbutton actuators, not for illumination

Color	Part No.	Size
● Black	31-931.0	18mm Ø



Choose one component from each of the colored sections to assemble a complete switch.  
For other options or further information please contact EAO Switch directly.

## A Accessories



Lens, front transparent with white diffuser for round indicator and pushbutton actuator

Color	Part No.	Size
● Red	31-933.2	18mm Ø
● Yellow	31-933.4	18mm Ø
● Green	31-933.5	18mm Ø
● Blue	31-933.6	18mm Ø
○ Clear	31-933.7	18mm Ø



Flap guard, raised, square, round and rectangular

Image	Part No.	Size
1	31-925	18 x 24mm
2*	31-920	18 x 18mm



Sprayproof cover, square and rectangular, IP65

Image	Part No.	Comment	Size
1	31-924.2	PVC rear, silicon front	18 x 24mm
2	31-923	Both PVC	18 x 18mm

\*Can be used with round pushbuttons

## A Accessories



Blanking plate

Image	Part No.	Size
1	01-947.0	18 x 24mm
2	01-948.0	18 x 18mm
3	01-949.0	18mm Ø



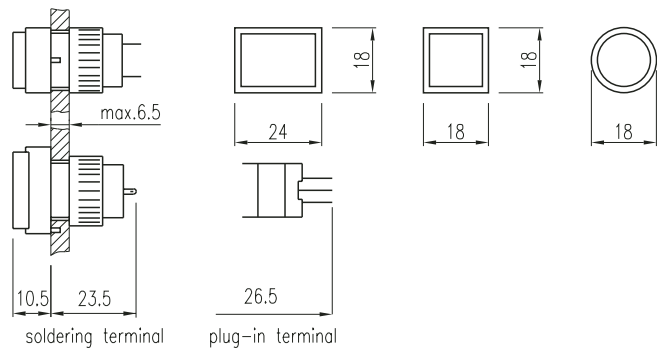
Mounting tool, lens and LED remover

Image	Part No.	Product description
1	01-907	Mounting tool
2	02-905	Lens remover
3	61-9740.0	LED remover
4	02-906	Lamp remover



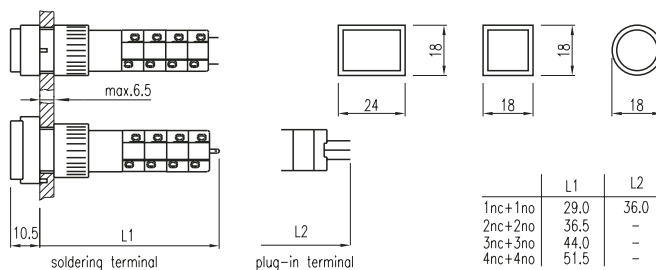
## 31 Indicator

Raised, Round, Square, Rectangular



## 31 Pushbutton

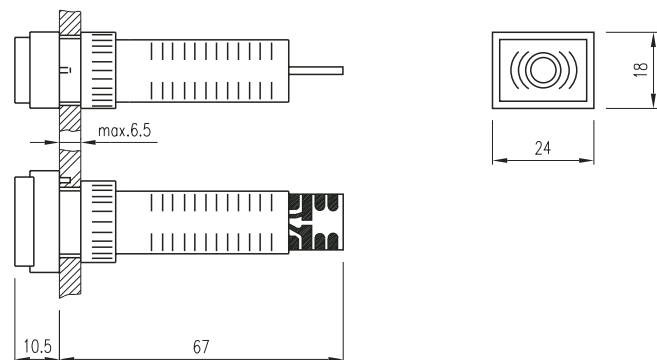
Illuminated, Raised, Round, Square, Rectangular



	L1	L2
1nc+1no	29.0	36.0
2nc+2no	36.5	-
3nc+3no	44.0	-
4nc+4no	51.5	-

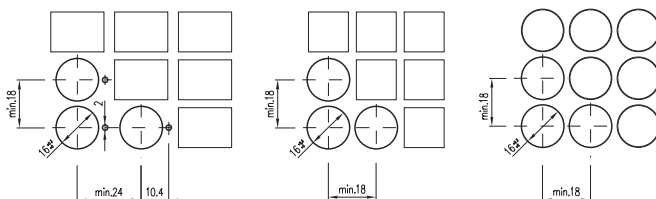
## 31 Buzzer

Raised



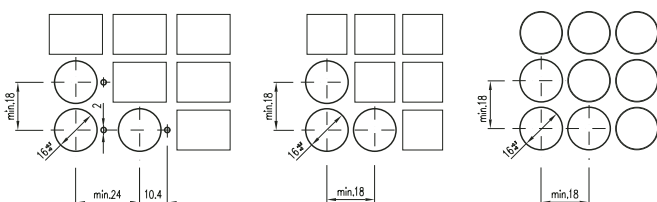
## 31 Indicator Cut-outs

Raised, Round, Square, Rectangular



## 31 Pushbutton Cut-outs

Raised, Round, Square, Rectangular



# Series 44

22.5mm 30.5mm IP65 10A 660VAC



Choose one component from each of the colored sections to assemble a complete switch. For other options or further information please contact EAO Switch directly.

## Product Profile

The Series 44 is a high quality switch range that includes pushbuttons, indicators, selectors, mushroom headed switches, key switches, joysticks, double pushbutton switches, potentiometer drives and Emergency-stops.

The switches utilize self cleaning slow-make switching elements.

Technical drawings see pages 49-51

- IP65 Protection
- Switch Rating, 10A , 660VAC
- Raised Mounting into 22.5mm cut out
- Flush Mounting into 30.5mm cut out
- Illumination using Ba9s (T-3¼ bayonet base) Lamps or LED's
- Screw terminal connections
- Available as components

## Indicator



Indicator, round, raised, full face with plastic matt chrome bezel, 22.5mm mounting, lamp element included

Color	Part No.
● Red	44-750.22.000
● Yellow	44-750.24.000
● Green	44-750.25.000
○ Clear	44-750.27.000



Indicator, round, raised with plastic matt chrome bezel, 22.5mm mounting, lamp element included

Color	Part No.
● Red	44-751.22.000
● Yellow	44-751.24.000
● Green	44-751.25.000
○ Clear	44-751.29.000

For complete switch also order

For complete switch also order

## Non-illuminated pushbutton



Non-illuminated raised pushbutton with plastic matt chrome bezel, switch element included, 22.5mm mounting

Color	Part No.	Action	Contact type
● Red	44-701.22.001	Momentary	1NC
● Green	44-701.25.010	Momentary	1NO
○ White	44-701.29.010	Momentary	1NO
● Black	44-701.20.100	Momentary	1NO/NC
● Green	44-702.25.010	Maintained	1NO
● Black	44-702.20.100	Maintained	1NO/1NC

## Illuminated pushbutton



Illuminated raised pushbutton with plastic matt chrome bezel, switch and lamp element included, 22.5mm mounting

Color	Part No.	Action	Contact type
● Red	44-746.22.001	Momentary	1NC
● Yellow	44-746.24.010	Momentary	1NO
● Green	44-746.25.010	Momentary	1NO
○ White	44-746.29.100	Momentary	1NO/1NC
● Green	44-747.25.010	Maintained	1NO
○ White	44-747.29.100	Maintained	1NO/1NC

For complete switch also order

## Double pushbutton actuator



Double pushbutton actuator with plastic matt chrome bezel, without switch element or contact block holder

Color	Part No.	Markings	Action
● Red/Green	44-770.2	No markings	Momentary
● Red/Green	44-771.2	I + 0	Momentary

Pushbuttons are not interlocked

Requires contact/lamp element holder

For complete switch also order **A**

Choose one component from each of the colored sections to assemble a complete switch.  
For other options or further information please contact EAO Switch directly.


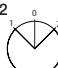


**Emergency-stop switch** **Keylock switch**



Emergency-stop, twist release, 37mm diameter, foolproof to EN 60947-5-1 and EN 418

Emergency-stop, key release, 37mm diameter, foolproof to EN 60947-5-1 and EN 418

Keylock switch, raised, 2 and 3 position plastic matt chrome bezel, switch element included, maintained  

Part No.	Contact type
44-712.001	1NC
44-712.100	1NO/1NC

Part No.	Contact type
44-713.001	1NC
44-713.100	1NO/1NC

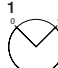
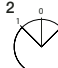
Drawing	Part No.	Positions	Contact type	Key Rem.
1	44-730.21.100	2	1NO/1NC	0
1	44-730.22.100	2	1NO/1NC	0-1
2	44-734.25.020	3	2NO	1-0-2

For complete switch also order **A**

For complete switch also order **A**

**Selector switch** **Mushroom headed pushbutton** **Joystick**



Selector switch, raised, black lever, 2 and 3 position with plastic matt chrome bezel, switch element included  

Mushroom headed pushbutton, 50mm diameter, plastic matt chrome bezel, without switching element or contact block holder

Joystick, raised with switch element, 2, 4 or 8 positions, IP65

Drawing	Part No.	Action	Contact type	Position
1	44-720.20.100	Maintained	1NO/1NC	2
2	44-724.20.020	Maintained	2NO	3

Color	Part No.	Action
● Red	44-707.22	Momentary
● Green	44-707.25	Momentary
● Black	44-707.20	Momentary

Part No.	Contact type	Positions
44-800.2	2x 1NO/1NC	2 positions
44-800.4	4x 1NO/1NC	4 positions
44-800.8	4x 1NO/1NC	8 positions

Ratings:

- 6A/250VAC, 0.5A/250VAC, 2A/110VDC, 5A/75VDC
- QC terminals (0.110 x 0.020"), push-on/solder
- -25°C to 70°C (-13°F to 158°F)
- >2 million operations in each direction

Requires contact/lamp element holder

For complete switch also order **A**



Choose one component from each of the colored sections to assemble a complete switch. For other options or further information please contact EAO Switch directly.

## Potentiometer drive



Potentiometer drive (without potentiometer), plastic matt chrome bezel, marked 1-5, for potentiometers with 6mm shafts, IP65

Part No.
44-744.20

## Switching element



Contact block, screw terminal, slow-make forced opening contacts, stackable

Part No.	Contact type	Contact material
44-161	1NO	Hard silver
44-151	1NC	Hard silver
44-131	1NO/1NC	Hard silver



Contact block, screw terminal, slow-make forced opening contacts, non-stackable

Part No.	Contact type	Contact material
44-121	1NO	Hard silver
44-111	1NC	Hard silver

For complete switch also order ☉ ☺ ⚙ ⚙ ⚙

For complete switch also order ☉ ☺ ⚙ ⚙ ⚙

## LED



LED, BA9s (T-3¾ bayonet base), single chip, 28 Volt and 230 Volt. Also available in 6 Volt, 12 Volt, 24 Volt, 48 Volt and 230 Volt

Color	Part No.	Voltage
Red	10-2513.1142	28VAC/DC, 13mA
Yellow	10-2513.1144	28VAC/DC, 13mA
Green	10-2513.1145	28VAC/DC, 7mA
Blue	10-2513.1146	28VAC/DC, 13mA
White	10-2513.1149	28VAC/DC, 13mA
Red	10-2H24.2052	130VAC / 5mA
Yellow	10-2H24.2054	130VAC / 5mA
Green	10-2H24.2055	130VAC / 3mA
Blue	10-2H24.2056	130VAC / 5mA
White	10-2H24.2059	130VAC / 5mA

## Accessories



Lamp element for Ba9s (T-3¾ bayonet base) LED/Lamp

Part No.
44-524



Contact/Lamp element holder for double pushbutton actuator and mushroom headed pushbutton

Part No.
44-902

Choose one component from each of the colored sections to assemble a complete switch.  
For other options or further information please contact EAO Switch directly.



**A Accessories**



Front bezel set for 30.5mm flush mount, black plastic, for illuminated pushbutton, selector and keylock



Front bezel set for 30.5mm flush mount with label support, black plastic, for illuminated pushbutton, selector and keylock



Label for front bezel set for 30.5mm flush mount with label support, self adhesive

Part No.	Product description	Part No.	Product description	Color	Part No.
44-946.03-A		44-946.04		○ Aluminum	44-946
44-946.01-A	For potentiometer and indicator only	44-946.02	For potentiometer and indicator only	● Black	44-946.0

**A Accessories**



Protective cover for raised pushbutton only

Part No.
44-922





Choose one component from each of the colored sections to assemble a complete switch. For other options or further information please contact EAO Switch directly.

## A Accessories



Emergency-stop switch label, 60mm and 45mm diameter, English, French, German and no markings



Emergency-stop protective shroud, yellow painted aluminium with 22.5mm mounting hole



Mounting tool

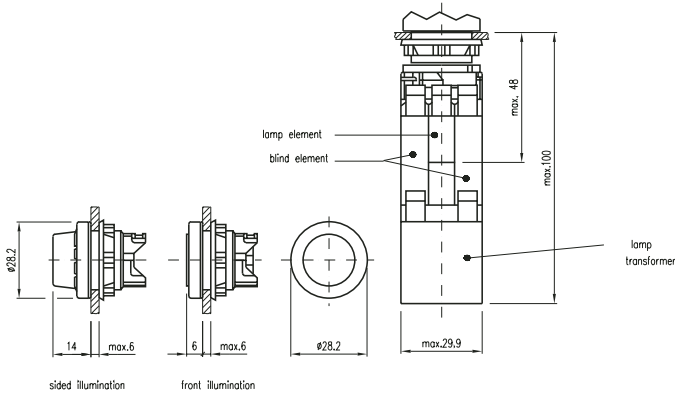
Part No.	Markings	Diameter	Part No.	Part No.
44-950	No markings	60mm	Contact EAO Switch directly	44-935
44-950.1	Not Aus	60mm		
44-950.2	Emergency Stop	60mm		
44-950.3	Arret D'urgence	60mm		
44-951	No markings	45mm		
44-951.1	Not Aus	45mm		
44-951.2	Emergency Stop	45mm		
44-951.3	Arret D'urgence	45mm		
90mm versions also available				





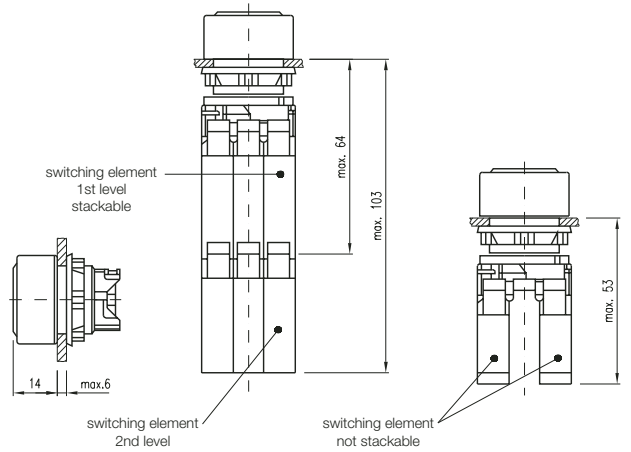
## 44 Indicator

Raised and Flush



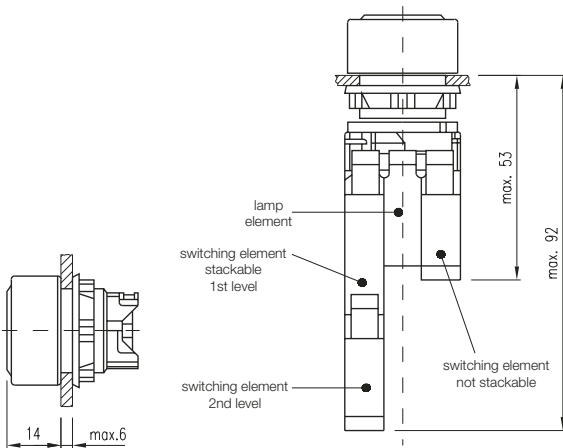
## 44 Pushbutton

Non-Illuminated, Raised

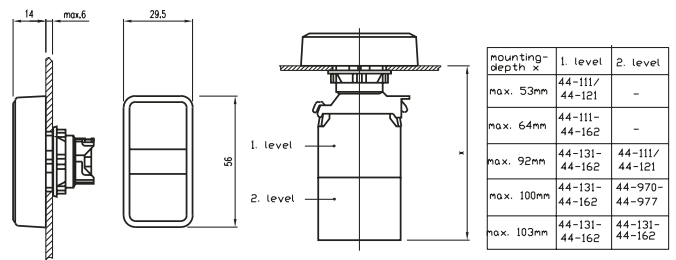


## 44 Pushbutton

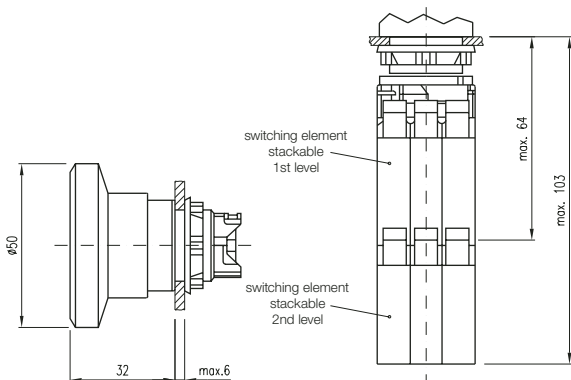
Illuminated, Raised



## 44 Double Pushbutton

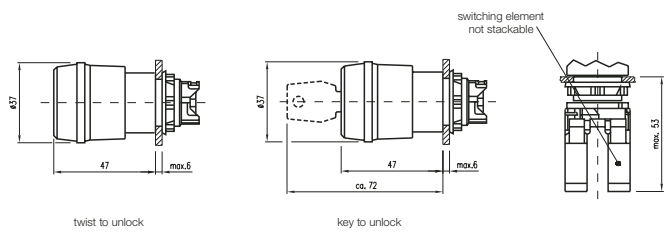


## 44 Pushbutton Mushroom, Double Pushbutton



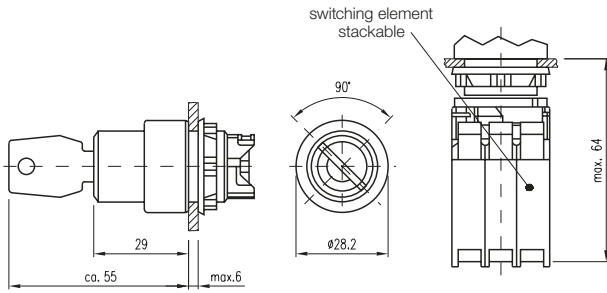
## 44 E-Stop

EN 418, EN 418 with Key



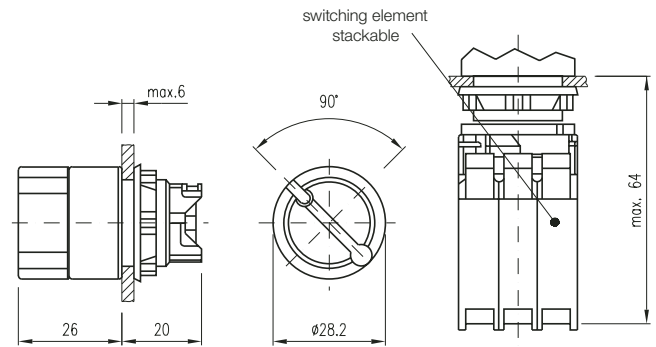
## 44 Keylock

Raised, 2-Position



## 44 Selector

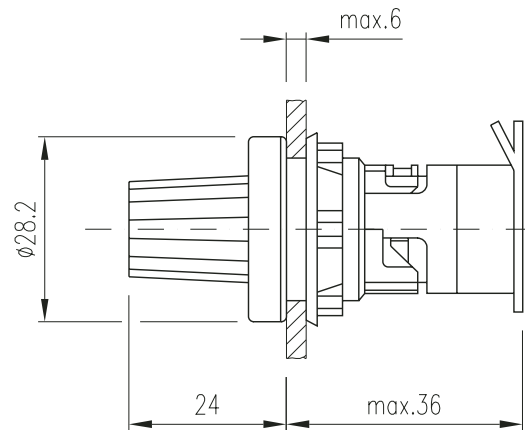
Raised, 2-Position, 3-Position



## 44 Joystick

Contact EAO Switch directly

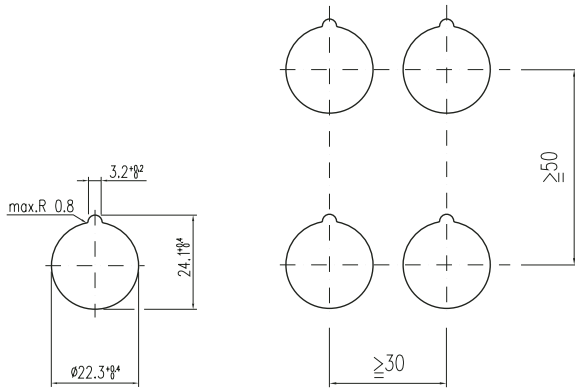
## 44 Potentiometer



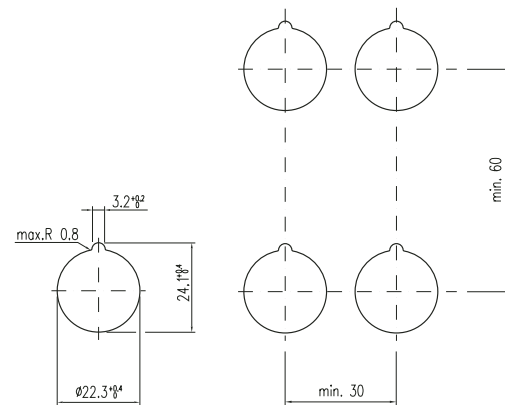
for potentiometer No. 44-745

## 44 Indicator Cut-outs

Raised, Pushbutton Non-Illuminated & Illuminated, 2-Position Keylock, 2 & 3-Position Selector, Potentiometer

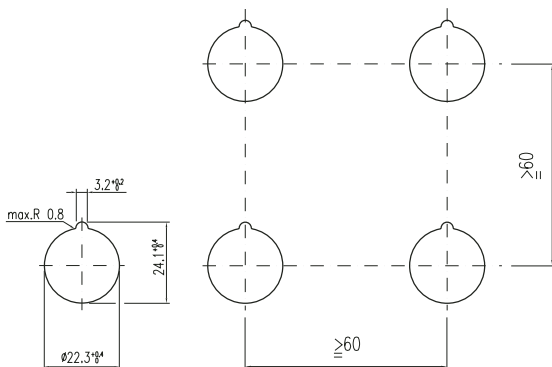


## 44 Double Pushbutton Cut-outs



## 44 E-Stop Cut-outs

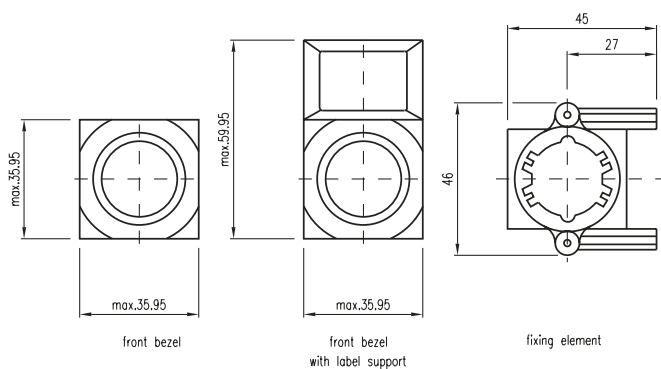
EN 418, EN 418 with Key, Pushbutton Mushroom

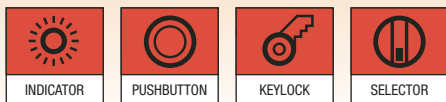


## 44 Joystick Cut-outs

Contact EAO Switch directly

## 44 Cut-outs, Flush Mounting





Choose one component from each of the colored sections to assemble a complete switch.  
For other options or further information please contact EAO Switch directly.

## Product Profile

The Series 51 is a high quality switch range that includes pushbuttons, indicators, illuminated selector switches and keylock switches. It is possible to choose up to 4NO/4NC snap-action switching elements per switch. Low level switching elements are also available.

Technical drawings see pages 56-57

- IP65 Protection
- Switch Rating, 5A, 250VAC
- Raised Mounting into 16mm cut out
- Illumination using midget-grooved T-1 $\frac{1}{3}$  lamps or single chip LED's
- All standard lenses are transparent with translucent white diffusers, and are available in different colors
- For keylock switches 2 key systems and 145 different key codes are available
- QC versions also available

## Indicator



Indicator bodies, raised in round, square and rectangular, black plastic, 16mm mounting, solder terminals

Image	Part No.	Size
1	51-040.005	18 x 24mm
2	51-050.005	18 x 18mm
3	51-030.005	18mm Ø

## Illuminated pushbutton



Illuminated pushbutton, snap-action, raised, rectangular, black plastic, 16mm mounting, solder terminals, gold over silver contacts

Part No.	Action	Contact type	Size
51-121.025	Momentary	1NO/1NC	18 x 24mm
51-122.025	Momentary	2NO/2NC	18 x 24mm
51-261.025	Maintained	1NO/1NC	18 x 24mm
51-262.025	Maintained	2NO/2NC	18 x 24mm

For complete switch also order **A**

For complete switch also order **A**

## Illuminated pushbutton



Illuminated pushbutton, snap-action, raised, square, black plastic, 16mm mounting, solder terminals, gold over silver contacts

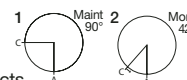
Part No.	Action	Contact type	Size
51-151.025	Momentary	1NO/1NC	18 x 18mm
51-152.025	Momentary	2NO/2NC	18 x 18mm
51-281.025	Maintained	1NO/1NC	18 x 18mm
51-282.025	Maintained	2NO/2NC	18 x 18mm

For complete switch also order **A**

## Keylock switch



Keylock switch, 2 position, raised, snap-action, round, black plastic, 18mm Ø, solder terminals, gold over silver contacts




Part No.	Action	Contact type	Size	Drawing	Part No.	Contact type	Key rem.
51-131.025	Momentary	1NO/1NC	18mm Ø	1	51-135.025D	1NO/1NC	A+C
51-132.025	Momentary	2NO/2NC	18mm Ø	1	51-136.025D	2NO/2NC	A+C
51-271.025	Maintained	1NO/1NO	18mm Ø	1	51-235.025D	1NO/1NC	A
51-272.025	Maintained	2NO/2NC	18mm Ø	1	51-335.025D	1NO/1NC	C
				2	51-141.025D	1NO/1NC	A

For complete switch also order **A**



Choose one component from each of the colored sections to assemble a complete switch.  
For other options or further information please contact EAO Switch directly.




**Keylock switch**






Keylock switch, 2 position, raised, snap-action, square, black plastic, 18 x 18mm, solder terminals, gold over silver contacts

1  2 

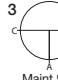



Keylock switch, 2 position, raised, snap-action, rectangular, black plastic, 18 x 24mm, solder terminals, gold over silver contacts

1  2 




Keylock switch, 3 position, raised, snap-action, rectangular, black plastic, 18 x 24mm, solder terminals, gold over silver contacts


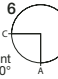
3  4 


Drawing	Part No.	Contact type	Key rem.	Drawing	Part No.	Contact type	Key rem.	Drawing	Part No.	Contact type	Key rem.
2	51-145.025D	1NO/1NC	A	1	51-195.025D	1NO/1NC	A+C	3	51-361.022D	2x 1NO/1NC	A
2	51-146.025D	2NO/2NC	A	1	51-196.025D	2NO/2NC	A+C	3	51-362.022D	2x 2NO/2NC	C + A + B
1	51-155.025D	1NO/1NC	A+C	1	51-295.025D	1NO/1NC	A	4	51-364.022D	2x 1NO/1NC	A
1	51-255.025D	1NO/1NC	A	1	51-296.025D	2NO/2NC	A				
1	51-355.025D	1NO/1NC	C	1	51-395.025D	1NO/1NC	C				
				1	51-396.025D	2NO/2NC	C				
				2	51-495.025D	1NO/1NC	A				
				2	51-496.025D	2NO/2NC	A				

**Selector switch**





Selector switch, 2 position, raised, snap-action, round, black plastic, 18mm Ø, solder terminals, gold over silver contacts

5  6 



Selector switch, 3 position, raised, snap-action, round, black plastic, 18mm Ø, solder terminals, gold over silver contacts

7  8 

Drawing	Part No.	Contact type	Drawing	Part No.	Contact type
5	52-131.025	1NO/1NC	7	52-571.022A	2x 1NO/1NC
5	52-132.025	2NO/2NC	8	52-572.022A	2x 1NO/1NC
6	52-271.025	1NO/1NC			
6	52-272.025	2NO/2NC			

**LED**

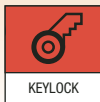
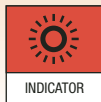


LED, T-1 3/4 MG, single chip, 12 Volt and 28 Volt. Also available in 6 Volt, 24 Volt and 48 Volt

Color	Part No.	Voltage
Red	10-2J09.1062	12VAC/DC, 7/14mA
Yellow	10-2J09.1064	12VAC/DC, 7/14mA
Green	10-2J09.1065	12VAC/DC, 4/7mA
Blue	10-2J09.1066	12VAC/DC, 7/14mA
White	10-2J09.1069	12VAC/DC, 7/14mA
Red	10-2J13.1062	28VAC/DC, 7/14mA
Yellow	10-2J13.1064	28VAC/DC, 7/14mA
Green	10-2J13.1065	28VAC/DC, 4/7mA
Blue	10-2J13.1066	28VAC/DC, 7/14mA
White	10-2J13.1069	28VAC/DC, 7/14mA

For complete switch also order  **A**

For complete switch also order  **A**



Choose one component from each of the colored sections to assemble a complete switch.  
For other options or further information please contact EAO Switch directly.

## A Accessories



Lens, opaque for rectangular pushbutton actuators, not for illumination

Color	Part No.	Size
● Black	51-901.0	18 x 24mm



Lens, front transparent with white diffuser for rectangular indicator and pushbutton actuators

Color	Part No.	Size
● Red	51-903.2	18 x 24mm
● Yellow	51-903.4	18 x 24mm
● Green	51-903.5	18 x 24mm
● Blue	51-903.6	18 x 24mm
○ Clear	51-903.7	18 x 24mm



Lens, opaque for square pushbutton actuators, not for illumination

Color	Part No.	Size
● Black	51-951.0	18 x 18mm

## A Accessories



Lens, front transparent with white diffuser for square indicator and pushbutton actuators

Color	Part No.	Size
● Red	51-953.2	18 x 18mm
● Yellow	51-953.4	18 x 18mm
● Green	51-953.5	18 x 18mm
● Blue	51-953.6	18 x 18mm
○ Clear	51-953.7	18 x 18mm



Lens, opaque for round pushbutton actuators, not for illumination

Color	Part No.	Size
● Black	51-931.0	18mm Ø



Lens, front transparent with white diffuser for round indicator and pushbutton actuators

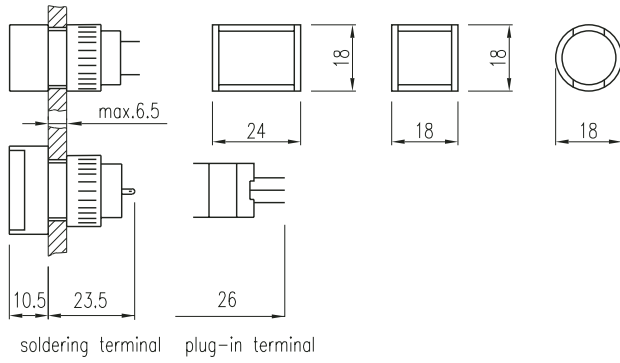
Color	Part No.	Size
● Red	51-933.2	18mm Ø
● Yellow	51-933.4	18mm Ø
● Green	51-933.5	18mm Ø
● Blue	51-933.6	18mm Ø
○ Clear	51-933.7	18mm Ø





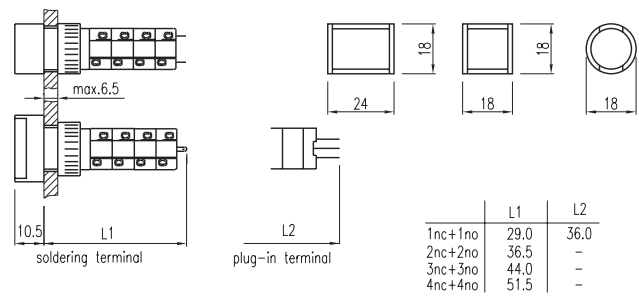
## 51 Indicator

Raised



## 51 Pushbutton

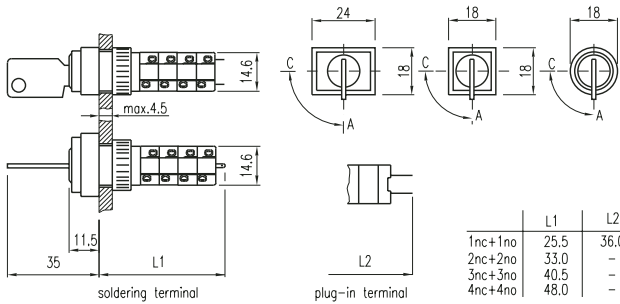
Raised, Round, Square, Rectangular



	L1	L2
1nc+1no	29.0	36.0
2nc+2no	36.5	-
3nc+3no	44.0	-
4nc+4no	51.5	-

## 51 Keylock

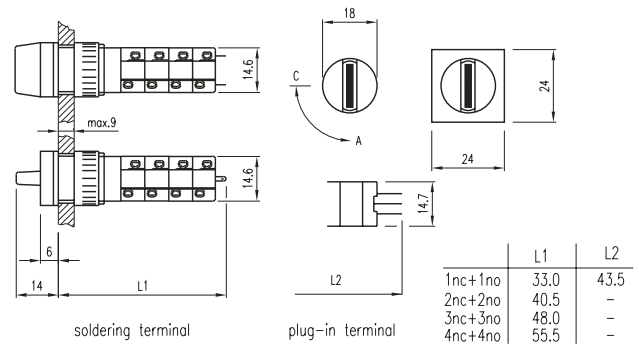
Raised, 2-Position, Round, Square, Rectangular



	L1	L2
1nc+1no	25.5	36.0
2nc+2no	33.0	-
3nc+3no	40.5	-
4nc+4no	48.0	-

## 52 Selector

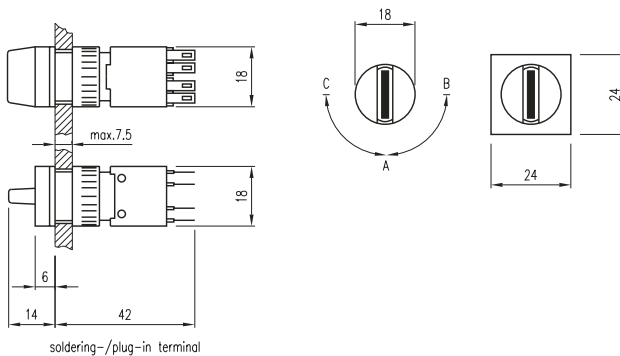
Raised, 2-Position, Round



	L1	L2
1nc+1no	33.0	43.5
2nc+2no	40.5	-
3nc+3no	48.0	-
4nc+4no	55.5	-

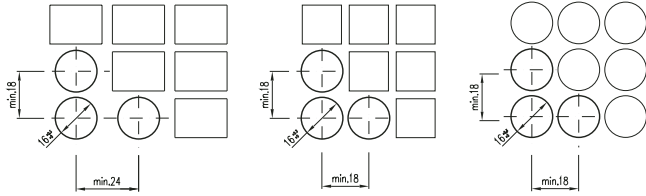
## 52 Selector

Raised, 3-Position, Round



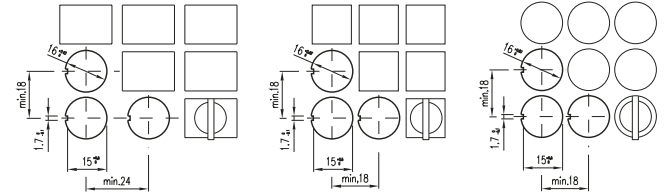
## 51 Cut-outs

Indicator, Pushbutton, Round, Square, Rectangular



## 51 Cut-outs

Keylock 2-Position Round, Keylock 2-Position Square, Keylock 2-Position Rectangular, 2 & 3-Position Selector Round



The Series 56 range is mainly used as a door pushbutton for public transport applications. The range includes single and double-sided pushbuttons and indicators; a pushbutton that mounts without the need for fixing screws; a glass-mounting pushbutton; hidden indication until lit; pushbuttons with braille and engraved symbols.



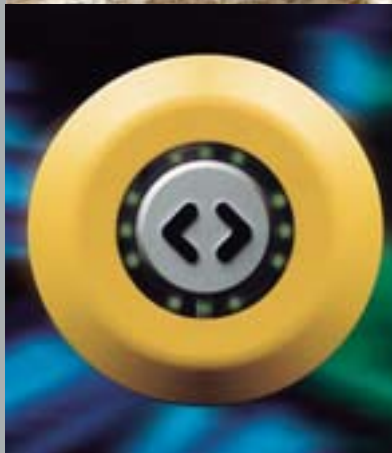
**Screwless mounting**

The Series 56 internal and external fast mounting, screwless pushbutton works by pressing the switch into a 59mm cut-out and letting the rubber flange seal it into the panel. This screwless model is vandal-resistant and can be used for numerous applications including door controls, toilet controls (Door Open, Lock, Flush), emergency HELP! access control. The actuation area can be supplied with raised symbols or engraved to customer requirements.

**Key features**

- Maximum IP protection
- Operates within temperatures between -40°C to +80°C
- Bright LED illumination resists shock and vibration
- Thermoplastic housing available in different colors\*
- Permanent legend printing
- Meets CE standards
- Raised / flush mounting
- Excellent tactile feedback

*\*subject to order volume*



**Raised Indicator**

The Series 56 raised indicator allows for side view illumination. Visible in all weather conditions, the LED illumination provides a lifetime of up to 100,000 hours continuous use. It is available in a choice of red, green, yellow, blue and white. The switch bezel can be supplied in a choice of contrasting colors. Simple to mount with fixing screws, the indicator can be quickly integrated within existing electrical systems with a cable and AMP plug-in connection.

The Series 56 internal and external indicator can be used in applications where it is important to quickly assess the status of a system. These include door controls on public transport vehicles where a driver or guard may need to determine from a distance whether all doors are closed.

EAO's Series 58 range shares the same quality of build and design with EAO's acclaimed Series 56 mechanical switch. The Series 58 range is the world's first touch sensitive switch that operates through double-glazing up to 16mm thick and is designed as a door opener for new generation public transport vehicles constructed with large expanses of glass.

The Series 58 is designed with an electronic switching element containing no moving parts. This makes it incredibly durable and offers a long life service.



#### Key features

- Maximum external IP protection against washing
- Operates within temperatures between -40°C to +80°C
- Bright LED illumination resists shock and vibration
- Thermoplastic housing available in different colors\*
- Permanent legend printing Meets CE and e1 standards

*\*subject to order volume*





# Series 61

16mm 22.5mm 21 x 21mm 21 x 27mm IP65 5A 250VAC



Choose one component from each of the colored sections to assemble a complete switch. For other options or further information please contact EAO Switch directly.

## Product Profile

The Series 61 is a high quality, modular switch range that includes pushbuttons, indicators, selector switches, keylock switches and Emergency-stops. Available in raised or flush mount.

Self cleaning snap-action and slow-make switching elements available.

Technical drawings see pages 67-68

- IP65 Protection
- Switch Rating, 5A, 250VAC
- Raised Mounting into 16mm cut out
- Flush Mounting into 22.5mm, 21x21mm and 21x27mm cut out
- Illumination using midget-grooved T-1<sup>3</sup>/<sub>4</sub> lamps or single chip LED's
- All standard lenses are transparent with translucent white diffusers and are available in different colors
- For keylock switches 135 different key codes are available

Indicator	LED	Accessories	Accessories	A guide to ordering parts - choice of front bezel determines front shape for flush mount versions. Accessories are optional.	
For a complete indicator you will need to order the appropriate indicator, LED, lens and bezel (for flush mount only)					
Illuminated pushbutton	Contact block	LED (optional)	Accessories	Accessories	
For a complete illuminated pushbutton you will need to order the appropriate actuator, contact block, LED, lens and bezel (for flush mount only)					
Keylock switch	Contact block	Contact block	Accessories	Accessories	Accessories
For a complete keylock switch you will need to order the appropriate actuator, contact block and bezel (for flush mount only)					
Selector switch	Contact block	Contact block	LED (optional)	Accessories	Accessories
For a complete selector switch you will need to order the appropriate actuator, contact block, LED, lever and bezel (for flush mount only)					



Choose one component from each of the colored sections to assemble a complete switch.  
For other options or further information please contact EAO Switch directly.

 BLOCK	 LED	<b>A</b> ACCESSORIES
---	---	-------------------------

 <b>Indicator</b>		 <b>Illuminated pushbutton</b>
--	--	---



Indicator bodies, raised, round, square and rectangular, black plastic, 16mm mounting

Image	Part No.	Size
1	61-0050.02	24 x 24mm
2	61-0030.02	18 x 24mm
3	61-0020.02	18 x 18mm
4	61-0010.02	18mm Ø
Flush mount adapter determines round, square or rectangular		

For complete switch also order  **A**



Universal indicator body for flush mount, black plastic


Image	Part No.
	61-0000.02
Flush mount adapter determines round, square or rectangular	

For complete switch also order  **A**



Illuminated pushbutton actuator, raised, round, square and rectangular, black plastic, 16mm mounting

Image	Part No.	Action	Size
1	61-1150.0	Momentary	24 x 24mm
1	61-1250.0	Maintained	24 x 24mm
2	61-1130.0	Momentary	18 x 24mm
2	61-1230.0	Maintained	18 x 24mm
3	61-1120.0	Momentary	18 x 18mm
3	61-1220.0	Maintained	18 x 18mm
4	61-1110.0	Momentary	18mm Ø
4	61-1210.0	Maintained	18mm Ø

For complete switch also order  **A**

 <b>Illuminated pushbutton</b>
---



Universal illuminated flush mount pushbutton actuator, round, black plastic

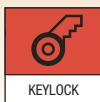
Part No.	Action
61-1100.0	Momentary
61-1200.0	Maintained
Flush mount adapter determines round, square or rectangular	

For complete switch also order  **A**



# Series 61

16mm 22.5mm 21 x 21mm 21 x 27mm IP65 5A 250VAC



Choose one component from each of the colored sections to assemble a complete switch.  
For other options or further information please contact EAO Switch directly.

## Emergency-stop switch



Emergency-stop, twist release and key release, 27mm diameter for 16mm mounting, foolproof to EN 60947-5-5 and EN 418

Part No.	Product reference
61-3440.4/1	Twist release
61-5441.4/K	Key release
Must use Emergency-stop contact blocks	

For complete switch also order **A**

## Keylock switch



Universal keylock switch, actuator, 2 position for raised and flush mount

Drawing	Part No.	Action	Key rem.
1	61-2101.0/D	Momentary	A
2	61-2201.0/D	Maintained	A
2	61-2203.0/D	Maintained	C
2	61-2205.0/D	Maintained	C+A
For flush mount order flush front bezel and front bezel adapter			

For complete switch also order **A**

## Keylock switch



Universal keylock switch, actuator, 3 position for raised and flush mount

Drawing	Part No.	Action	Key rem.
3	61-2501.0/D	Momentary/Momentary	A
4	61-2601.0/D	Maintained/Maintained	A
4	61-2602.0/D	Maintained/Maintained	B
4	61-2603.0/D	Maintained/Maintained	C
4	61-2604.0/D	Maintained/Maintained	A+B
4	61-2605.0/D	Maintained/Maintained	C+A
4	61-2606.0/D	Maintained/Maintained	C+B
4	61-2607.0/D	Maintained/Maintained	C+A+B
For flush mount order flush front bezel and front bezel adapter			

For complete switch also order **A**



## Keylock switch



Universal keylock switch, actuator, 3 position for raised and flush mount

Drawing	Part No.	Action	Key rem.
5	61-2701.0/D	Maintained/Momentary	A
5	61-2703.0/D	Maintained/Momentary	C
5	61-2705.0/D	Maintained/Momentary	C+A
6	61-2801.0/D	Momentary/Maintained	A
6	61-2802.0/D	Momentary/Maintained	B
6	61-2804.0/D	Momentary/Maintained	A+B
For flush mount order flush front bezel and front bezel adapter			

For complete switch also order **A**

## Selector switch



Universal selector switch, actuator, 2 and 3 position for raised and flush mount

Drawing	Part No.	Action
7	61-4110.0	Momentary
8	61-4210.0	Maintained
9	61-4510.0	Momentary/Momentary
10	61-4610.0	Maintained/Maintained
11	61-4710.0	Maintained/Momentary
12	61-4810.0	Momentary/Maintained
Flush mount adapter determines round, square or rectangular		

For complete switch also order **A**

Choose one component from each of the colored sections to assemble a complete switch.  
For other options or further information please contact EAO Switch directly.



**Contact block**



Contact block for pushbuttons and 2 position keylock and selector switches, snap-action, QC/solder terminals

Emergency-stop contact block, slow make

Contact block, 3 position keylock and selector switch, snap-action, QC/solder terminals

Part No.	Contact type	Contact material	Image	Part No.	Contact type	Contact material	Terminal	Part No.	Contact type	Contact material
61-8410.12	1NO	Silver	1	61-8755.11	2NC	Silver	Screw	61-8520.12	2NO	Silver
61-8410.22	1NO	Gold	2	61-8755.17	2NC	Silver	QC/solder	61-8520.22	2NO	Gold
61-8420.12	2NO	Silver	1	61-8775.11	1NO/1NC	Silver	Screw			
61-8420.22	2NO	Gold	2	61-8775.17	1NO/1NC	Silver	QC/solder			
61-8470.12	1NO/1NC	Silver								
61-8470.22	1NO/1NC	Gold								

For complete switch also order ☉ ⚙️ Ⓜ️

For complete switch also order ☉

For complete switch also order ⚙️ Ⓜ️

**LED**



LED, T-1 $\frac{3}{4}$  MG, single chip, 12 Volt and 28 Volt.  
Also available in 6 Volt, 24 Volt and 48 Volt

**A Accessories**



Lens, transparent with white diffuser, plastic for raised, rectangular indicator and pushbutton actuators

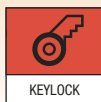
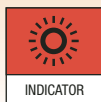


Lens, transparent with white diffuser, plastic for raised, square indicator and pushbutton actuators

Color	Part No.	Voltage	Color	Part No.	Size	Color	Part No.	Size
Red	10-2J09.1062	12VAC/DC, 7/14mA	Red	61-9331.2	18 x 24mm	Red	61-9351.2	24 x 24mm
Yellow	10-2J09.1064	12VAC/DC, 7/14mA	Yellow	61-9331.4	18 x 24mm	Yellow	61-9351.4	24 x 24mm
Green	10-2J09.1065	12VAC/DC, 4/7mA	Green	61-9331.5	18 x 24mm	Green	61-9351.5	24 x 24mm
Blue	10-2J09.1066	12VAC/DC, 7/14mA	Blue	61-9331.6	18 x 24mm	Blue	61-9351.6	24 x 24mm
White	10-2J09.1069	12VAC/DC, 7/14mA	Clear	61-9331.7	18 x 24mm	Clear	61-9351.7	24 x 24mm
Red	10-2J13.1062	28VAC/DC, 7/14mA						
Yellow	10-2J13.1064	28VAC/DC, 7/14mA						
Green	10-2J13.1065	28VAC/DC, 4/7mA						
Blue	10-2J13.1066	28VAC/DC, 7/14mA						
White	10-2J13.1069	28VAC/DC, 7/14mA						

# Series 61

16mm 22.5mm 21 x 21mm 21 x 27mm IP65 5A 250VAC



Choose one component from each of the colored sections to assemble a complete switch.  
For other options or further information please contact EAO Switch directly.

## A Accessories



Lens, transparent with white diffuser, plastic for raised, square indicator and pushbutton actuators

Color	Part No.	Size
Red	61-9321.2	18 x 18mm
Yellow	61-9321.4	18 x 18mm
Green	61-9321.5	18 x 18mm
Blue	61-9321.6	18 x 18mm
Clear	61-9321.7	18 x 18mm



Lens, transparent with white diffuser, plastic for raised, round indicator and pushbutton actuators

Color	Part No.	Size
Red	61-9311.2	18mm Ø
Yellow	61-9311.4	18mm Ø
Green	61-9311.5	18mm Ø
Blue	61-9311.6	18mm Ø
Clear	61-9311.7	18mm Ø



Lens, transparent with white diffuser, plastic for flush mount, rectangular indicator and pushbutton actuators

Color	Part No.	Size
Red	61-9681.2	24 x 30mm
Yellow	61-9681.4	24 x 30mm
Green	61-9681.5	24 x 30mm
Blue	61-9681.6	24 x 30mm
Clear	61-9681.7	24 x 30mm

## A Accessories



Lens, transparent with white diffuser, plastic for flush mount, round indicator and pushbutton actuators

Color	Part No.	Size
Red	61-9642.2	25mm Ø
Yellow	61-9642.4	25mm Ø
Green	61-9642.5	25mm Ø
Blue	61-9642.6	25mm Ø
Clear	61-9642.7	25mm Ø



Lens, transparent with white diffuser, plastic for flush mount, square indicator and pushbutton actuators

Color	Part No.	Size
Red	61-9671.2	24 x 24mm
Yellow	61-9671.4	24 x 24mm
Green	61-9671.5	24 x 24mm
Blue	61-9671.6	24 x 24mm
Clear	61-9671.7	24 x 24mm



Lever for selector switch, raised and flush mount, colored lever bar options available as indicated

Color	Part No., Raised	Part No., Flush mount	Window
Red	52-928.20	61-9028.20	Transparent
Yellow	52-928.40	61-9028.40	Transparent
Green	52-928.50	61-9028.50	Transparent
Blue	52-928.60	61-9028.60	Transparent
White	52-928.9	61-9028.9	Opaque
Black	52-928.0	61-9028.0	Opaque

Choose one component from each of the colored sections to assemble a complete switch.  
For other options or further information please contact EAO Switch directly.



**A Accessories**



Keylock switch front bezel, raised black plastic

Image	Part No.	Size
1	61-9250.0	24 x 24mm
2	61-9130.0	18 x 24mm
3	61-9120.0	18 x 18mm
4	61-9110.0	18mm Ø



Flush front bezel for keylocks, black plastic

Image	Part No.	Size
1	61-9230.0	18 x 24mm
2	61-9220.0	18 x 18mm
3	61-9210.0	18mm Ø
4	61-9250.0	24 x 24mm

Flush bezel must be ordered/used with keylock flush mount adapter



Flush mount adapter for indicators and pushbuttons

Image	Part No.	Material	Size
1	61-9933.10	Plastic	25mm Ø
2	61-9933.0	Aluminum	25mm Ø
3	61-9931.0	Plastic	24 x 30mm
4	61-9930.0	Plastic	24 x 24mm
5	61-9933.1	Aluminum	25mm Ø

**A Accessories**



Flush mount adapter for keylocks and selectors

Image	Part No.	Material	Size
1	61-9932.10	Plastic	25mm Ø
2*	61-9936.0	Plastic	24 x 24mm
3	61-9932.0	Aluminum	25mm Ø
4	61-9932.1	Black aluminum	25mm Ø
5**	61-9930.0	Plastic	24 x 24mm
6**	61-9931.0	Plastic	24 x 30mm

For keylocks must also order flush front bezel for keylock  
\* For selectors only \*\* For keylocks only



Flap guard, raised and flush mount

Image	Part No.	Size	Raised/Flush mount
1	61-9922.0	24 x 30mm	Flush
2	61-9921.0	24 x 24mm	Flush
3	61-9924.0	25mm Ø	Flush
4	61-9920.0	24 x 24mm	Raised
5	51-925	18 x 24mm	Raised
6	51-920	18 x 18mm	Raised



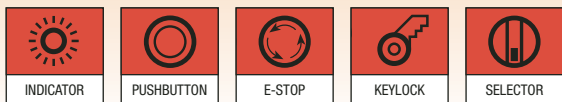
Blanking plate

Image	Part No.	Size	Mounting hole
1	61-9450.0	24 x 24mm	16mm Ø
2	61-9452.0	24 x 30mm	21 x 27mm
3	61-9451.0	24 x 24mm	21 x 21mm
4	51-947.0	18 x 24mm	16mm Ø
5	51-948.0	18 x 18mm	16mm Ø
6	51-949.0	18mm Ø	16mm Ø
	61-9453.0	25mm Ø	22.5mm Ø



# Series 61

16mm 22.5mm 21 x 21mm 21 x 27mm IP65 5A 250VAC



Choose one component from each of the colored sections to assemble a complete switch. For other options or further information please contact EAO Switch directly.

## A Accessories

					
<p>Cable shoe for plug-in terminal size 2.8 x 0.5mm and insulation socket</p>		<p>Emergency-stop protective shroud, yellow painted aluminum with 16mm mounting hole</p>		<p>Emergency-stop label, 43mm diameter, English, German, French and no markings, maintains IP65 sealing</p>	
Image	Part No.	Image	Part No.	Image	Part No. Markings
1	31-929		Contact EAO Switch directly		61-9970.0 No markings
2	31-946				61-9970.2 Emergency Stop
					61-9970.1 Not Aus
					61-9970.3 Arret D'urgence

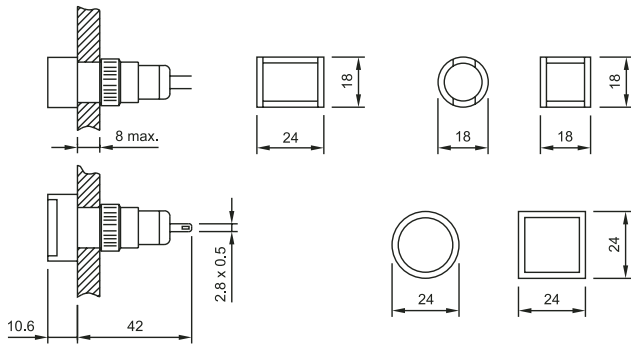
## A Accessories

						
<p>Emergency-stop switch enclosure with 16mm mounting hole, 65mm (w) x 65mm (h) x 57mm (d) and cable gland M16, front protected to IP65</p>		<p>Lens remover for flush mount, mounting tool, lens remover for raised, contact block remover and LED/lamp remover</p>			<p>Legend plate, adhesive, natural anodized aluminum finish for flush mount round pushbuttons, 22.5mm mounting hole</p>	
Image	Part No.	Image	Part No.	Product description	Image	Part No.
1	61-9480.5	1	61-9730.0	Lens remover for flush mount	1	61-9980.0
2	61-9481.6	2	01-907	Mounting tool	2	704.968.0
		3	02-905	Lens remover for raised	3	704.968.1
		4	61-9711.0	Contact block remover		
		5	61-9740.0	LED/lamp remover		



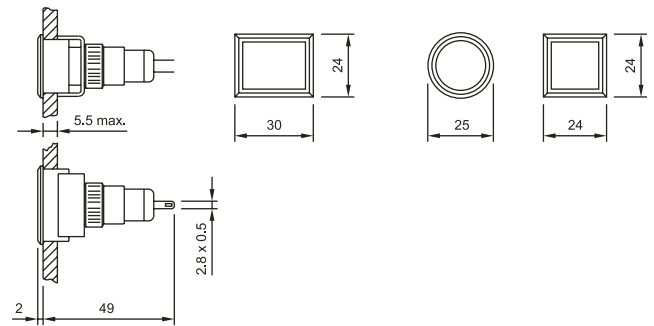
## 61 Indicator

Raised, Round, Square, Rectangular



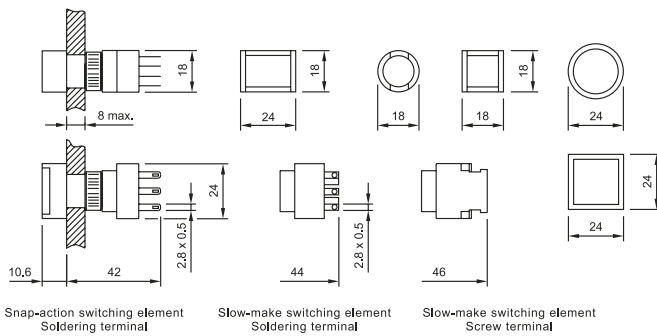
## 61 Indicator

Flush, Round, Square, Rectangular



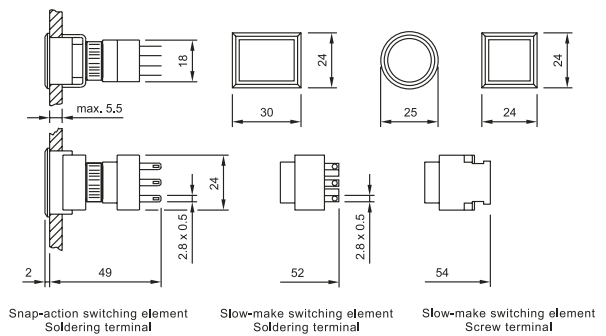
## 61 Pushbutton

Illuminated, Raised, Round, Square, Rectangular



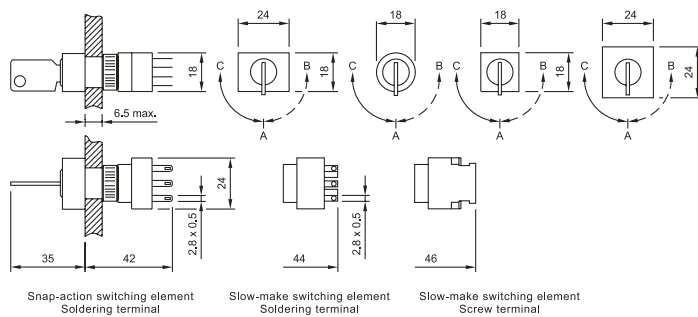
## 61 Pushbutton

Illuminated, Flush, Round, Square, Rectangular



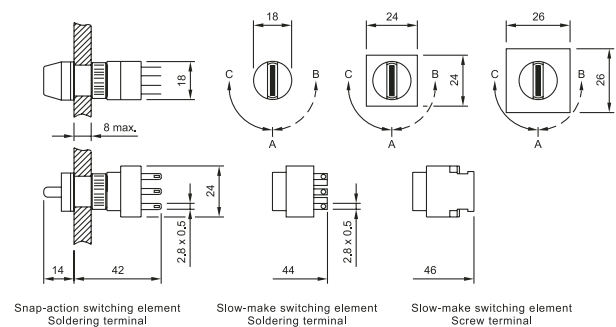
## 61 Keylock

2 & 3-Position, Round, Square, Rectangular



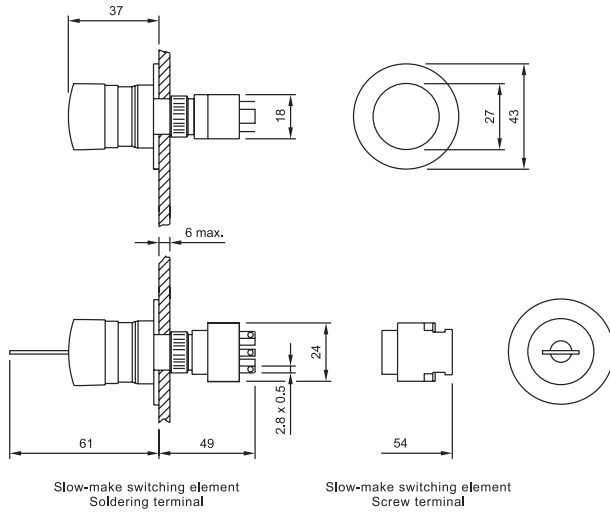
## 61 Selector

2 & 3-Position, Round, Square, Rectangular



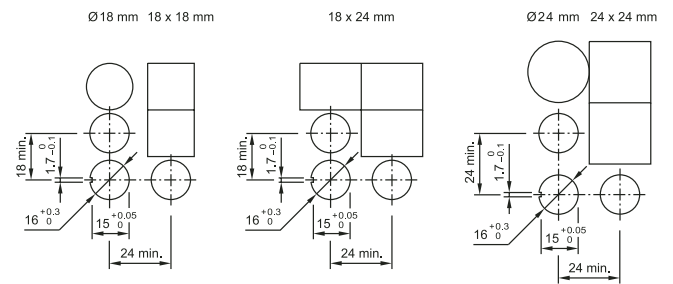
## 61 E-Stop

EN 418, EN 418 with Key



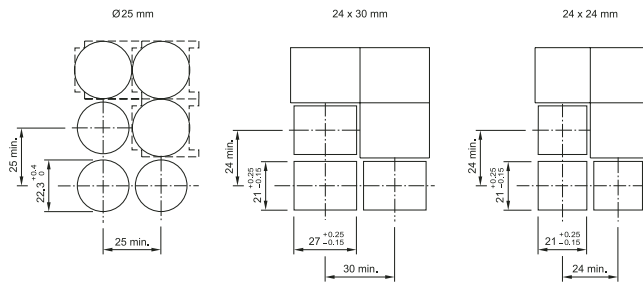
## 61 Cut-outs

Raised Indicators, Pushbuttons, Keylocks and Selectors



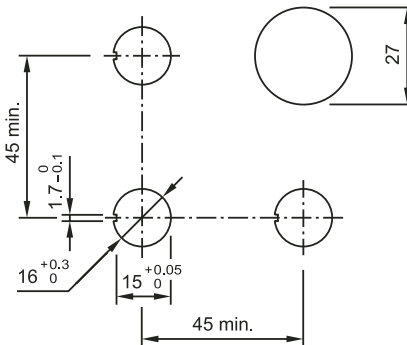
## 61 Cut-outs

Indicator Flush, Pushbutton Flush




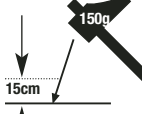
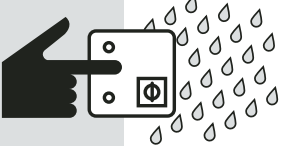
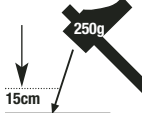
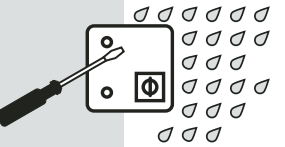
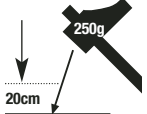

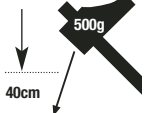
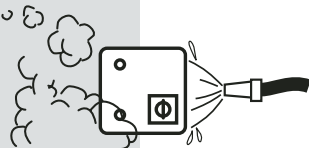

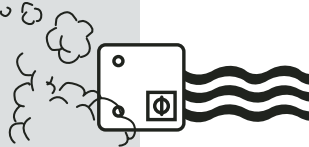

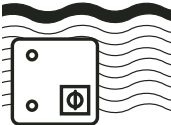
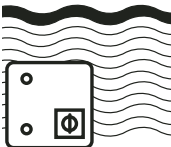


## 61 E-Stop Cut-outs

EN 418, EN 418 with Key



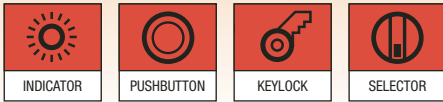
## Degrees of protection to IEC 144 (BS 5420)

Protection against touching live parts or ingress of solid objects		Protection against ingress of liquids		Protection against mechanical impacts	
IP	First Figure	Second Figure	IP	Third Figure	IK
No Protection.	<b>0</b> 	<b>0</b>	No Protection.	<b>0</b> 	No Protection.
Touching by hand or 50mm dia objects.	<b>1</b> 	<b>1</b>	Vertical water droplets. No harmful ingress.	<b>1</b> 	Impact 0.225 joule.
Touching by finger or 12mm dia objects.	<b>2</b> 	<b>2</b>	Showering at 15° from the vertical. No harmful ingress.	<b>2</b> 	Impact 0.375 joule.
Touching by tools or wire 2.5mm dia or 2.5mm dia objects.	<b>3</b> 	<b>3</b>	Showering at 60° from the vertical. No harmful ingress.	<b>3</b> 	Impact 0.50 joule.
Touching by tools or wire 1mm dia or 1mm dia objects.	<b>4</b> 	<b>4</b>	Splashing from any direction. No harmful ingress.	<b>4</b> 	Impact 2.00 joule.
Total touch protection or no harmful ingress of dust.	<b>5</b> 	<b>5</b>	Water jets from any direction 12.5 l/min. No harmful ingress.	<b>5</b> 	Impact 6.00 joule.
Total touch protection or no ingress of dust.	<b>6</b> 	<b>6</b>	Large volumes of water 100 l/min. No ingress.	<b>6</b> 	Impact 20.00 joule.
		<b>7</b>	Immersion up to 1 metre deep. No ingress.		
		<b>8</b>	Submersion at specified depths exceeding 1 metre. No ingress.		

Please contact EAO Switch directly for details of products conforming to country specific standards.

# Series 71

22.5mm 21 x 21mm 21 x 27mm IP65 3A 250VAC



Choose one component from each of the colored sections to assemble a complete switch. For other options or further information please contact EAO Switch directly.

## Product Profile

The Series 71 is a high quality, modular switch range that includes flush mounted pushbuttons, indicators, selector switches and keylock switches with self cleaning snap-action switching elements. The switching elements may be soldered directly onto the PCB and the actuators are lockable with an interlocking pin, no spacing pins required.

- IP65 Protection
- Switch Rating, 3A, 250VAC
- Flush Mounting into 22.5mm, 21x21mm and 21x27mm cut out
- Illumination using midget-grooved T-1<sup>3/4</sup> lamps or single chip LED's
- All standard lenses are transparent with translucent white diffusers and are available in different colors
- For keylock switches 135 different key codes are available

Technical drawings see page 74



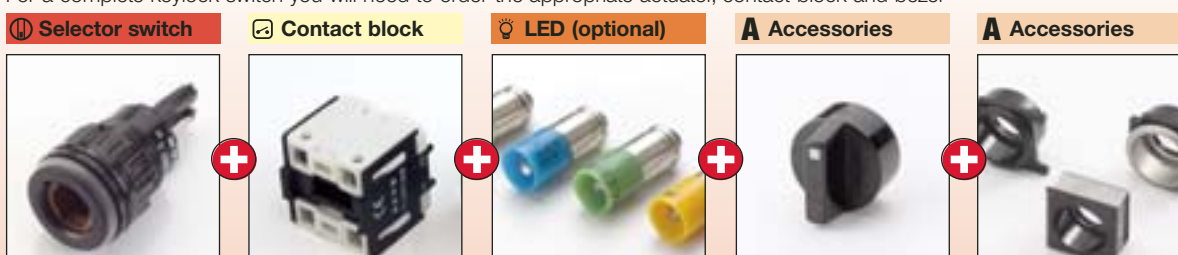
For a complete indicator you will need to order the appropriate indicator, contact block, LED, lens and bezel



For a complete illuminated pushbutton you will need to order the appropriate actuator, contact block, LED, lens and bezel



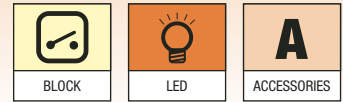
For a complete keylock switch you will need to order the appropriate actuator, contact block and bezel






For a complete selector switch you will need to order the appropriate actuator, contact block, LED, lever and bezel

A guide to ordering parts - choice of front bezel determines front shape

Choose one component from each of the colored sections to assemble a complete switch.  
For other options or further information please contact EAO Switch directly.



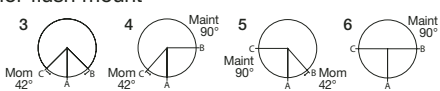
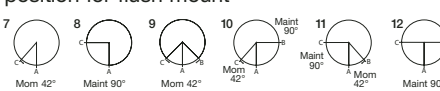


Indicator	Illuminated pushbutton	Keylock switch																														
																																
Universal indicator body for flush mount, black plastic	Universal illuminated flush mount pushbutton actuator, round, black plastic	Universal keylock switch actuator, 2 position for flush mount																														
<table border="1"> <thead> <tr> <th>Part No.</th> <th>Action</th> </tr> </thead> <tbody> <tr> <td>71-600.0</td> <td></td> </tr> </tbody> </table>	Part No.	Action	71-600.0		<table border="1"> <thead> <tr> <th>Part No.</th> <th>Action</th> </tr> </thead> <tbody> <tr> <td>71-611.0</td> <td>Momentary</td> </tr> <tr> <td>71-612.0</td> <td>Maintained</td> </tr> </tbody> </table>	Part No.	Action	71-611.0	Momentary	71-612.0	Maintained	<table border="1"> <thead> <tr> <th>Drawing</th> <th>Part No.</th> <th>Action</th> <th>Key rem.</th> </tr> </thead> <tbody> <tr> <td>1</td> <td>71-621.0/D</td> <td>Momentary</td> <td>A</td> </tr> <tr> <td>2</td> <td>71-622.0/D</td> <td>Maintained</td> <td>A</td> </tr> <tr> <td>2</td> <td>71-623.0/D</td> <td>Maintained</td> <td>C</td> </tr> <tr> <td>2</td> <td>71-624.0/D</td> <td>Maintained</td> <td>A+C</td> </tr> </tbody> </table>	Drawing	Part No.	Action	Key rem.	1	71-621.0/D	Momentary	A	2	71-622.0/D	Maintained	A	2	71-623.0/D	Maintained	C	2	71-624.0/D	Maintained	A+C
Part No.	Action																															
71-600.0																																
Part No.	Action																															
71-611.0	Momentary																															
71-612.0	Maintained																															
Drawing	Part No.	Action	Key rem.																													
1	71-621.0/D	Momentary	A																													
2	71-622.0/D	Maintained	A																													
2	71-623.0/D	Maintained	C																													
2	71-624.0/D	Maintained	A+C																													
Requires flush mount bezel and adapter	Requires flush mount bezel and adapter	Requires flush mount bezel and adapter																														

For complete switch also order **A**

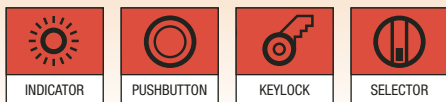
For complete switch also order **A**

For complete switch also order **A**

Keylock switch	Selector switch																																																																				
																																																																					
Universal keylock switch actuator, 3 position for flush mount	Universal selector switch actuator, 2 and 3 position for flush mount																																																																				
																																																																					
<table border="1"> <thead> <tr> <th>Drawing</th> <th>Part No.</th> <th>Action</th> <th>Key rem.</th> </tr> </thead> <tbody> <tr> <td>3</td> <td>71-631.0/D</td> <td>Momentary/Momentary</td> <td>A</td> </tr> <tr> <td>4</td> <td>71-638.0/D</td> <td>Momentary/Maintained</td> <td>A</td> </tr> <tr> <td>4</td> <td>71-639.0/D</td> <td>Momentary/Maintained</td> <td>A+B</td> </tr> <tr> <td>5</td> <td>71-636.0/D</td> <td>Maintained/Momentary</td> <td>A</td> </tr> <tr> <td>5</td> <td>71-637.0/D</td> <td>Maintained/Momentary</td> <td>A/C</td> </tr> <tr> <td>6</td> <td>71-632.0/D</td> <td>Maintained/Maintained</td> <td>A</td> </tr> <tr> <td>6</td> <td>71-635.0/D</td> <td>Maintained/Maintained</td> <td>A+B+C</td> </tr> <tr> <td>6</td> <td>71-634.0/D</td> <td>Maintained/Maintained</td> <td>B+C</td> </tr> <tr> <td>6</td> <td>71-633.0/D</td> <td>Maintained/Maintained</td> <td>C</td> </tr> </tbody> </table>	Drawing	Part No.	Action	Key rem.	3	71-631.0/D	Momentary/Momentary	A	4	71-638.0/D	Momentary/Maintained	A	4	71-639.0/D	Momentary/Maintained	A+B	5	71-636.0/D	Maintained/Momentary	A	5	71-637.0/D	Maintained/Momentary	A/C	6	71-632.0/D	Maintained/Maintained	A	6	71-635.0/D	Maintained/Maintained	A+B+C	6	71-634.0/D	Maintained/Maintained	B+C	6	71-633.0/D	Maintained/Maintained	C	<table border="1"> <thead> <tr> <th>Drawing</th> <th>Part No.</th> <th>Action</th> <th>Positions</th> </tr> </thead> <tbody> <tr> <td>7</td> <td>71-641.0</td> <td>Momentary</td> <td>2</td> </tr> <tr> <td>8</td> <td>71-642.0</td> <td>Maintained</td> <td>2</td> </tr> <tr> <td>9</td> <td>71-651.0</td> <td>Momentary/Momentary</td> <td>3</td> </tr> <tr> <td>10</td> <td>71-658.0</td> <td>Momentary/Maintained</td> <td>3</td> </tr> <tr> <td>11</td> <td>71-656.0</td> <td>Maintained/Momentary</td> <td>3</td> </tr> <tr> <td>12</td> <td>71-652.0</td> <td>Maintained/Maintained</td> <td>3</td> </tr> </tbody> </table>	Drawing	Part No.	Action	Positions	7	71-641.0	Momentary	2	8	71-642.0	Maintained	2	9	71-651.0	Momentary/Momentary	3	10	71-658.0	Momentary/Maintained	3	11	71-656.0	Maintained/Momentary	3	12	71-652.0	Maintained/Maintained	3
Drawing	Part No.	Action	Key rem.																																																																		
3	71-631.0/D	Momentary/Momentary	A																																																																		
4	71-638.0/D	Momentary/Maintained	A																																																																		
4	71-639.0/D	Momentary/Maintained	A+B																																																																		
5	71-636.0/D	Maintained/Momentary	A																																																																		
5	71-637.0/D	Maintained/Momentary	A/C																																																																		
6	71-632.0/D	Maintained/Maintained	A																																																																		
6	71-635.0/D	Maintained/Maintained	A+B+C																																																																		
6	71-634.0/D	Maintained/Maintained	B+C																																																																		
6	71-633.0/D	Maintained/Maintained	C																																																																		
Drawing	Part No.	Action	Positions																																																																		
7	71-641.0	Momentary	2																																																																		
8	71-642.0	Maintained	2																																																																		
9	71-651.0	Momentary/Momentary	3																																																																		
10	71-658.0	Momentary/Maintained	3																																																																		
11	71-656.0	Maintained/Momentary	3																																																																		
12	71-652.0	Maintained/Maintained	3																																																																		
Requires flush mount bezel and adapter	Requires flush mount bezel and adapter																																																																				

For complete switch also order **A**

For complete switch also order **A**



Choose one component from each of the colored sections to assemble a complete switch.  
For other options or further information please contact EAO Switch directly.

## Contact block



Indicator Element and Switching Element.  
Interlocking pin for PCB assembly supplied with each element

Image	Part No.	Contact type	Product description
1	71-670.006		Indicator element
2	71-671.026	1NO/1NC	Switching element
3	71-672.026	2NO/2NC	Switching element

## LED



LED, T-1 3/4 MG, 12 Volt and 28 Volt.  
Also available in 6 Volt, 24 Volt and 48 Volt

Color	Part No.	Voltage
Red	10-2J09.1062	12VAC/DC, 7/14mA
Yellow	10-2J09.1064	12VAC/DC, 7/14mA
Green	10-2J09.1065	12VAC/DC, 4/7mA
Blue	10-2J09.1066	12VAC/DC, 7/14mA
White	10-2J09.1069	12VAC/DC, 7/14mA
Red	10-2J13.1062	28VAC/DC, 7/14mA
Yellow	10-2J13.1064	28VAC/DC, 7/14mA
Green	10-2J13.1065	28VAC/DC, 4/7mA
Blue	10-2J13.1066	28VAC/DC, 7/14mA
White	10-2J13.1069	28VAC/DC, 7/14mA

## A Accessories



Lens, transparent with white diffuser, plastic for flush mount rectangular indicator and pushbutton actuators

Color	Part No.	Size
Red	61-9681.2	24 x 30mm
Yellow	61-9681.4	24 x 30mm
Green	61-9681.5	24 x 30mm
Blue	61-9681.6	24 x 30mm
Clear	61-9681.7	24 x 30mm

For complete switch also order **A**

## A Accessories



Lens, transparent with white diffuser, plastic for flush mount round indicator and pushbutton actuators

Color	Part No.	Size
Red	61-9642.2	25mm Ø
Yellow	61-9642.4	25mm Ø
Green	61-9642.5	25mm Ø
Blue	61-9642.6	25mm Ø
Clear	61-9642.7	25mm Ø



Lens, transparent with white diffuser, plastic for flush mount square indicator and pushbutton actuators

Color	Part No.	Size
Red	61-9671.2	24 x 24mm
Yellow	61-9671.4	24 x 24mm
Green	61-9671.5	24 x 24mm
Blue	61-9671.6	24 x 24mm
Clear	61-9671.7	24 x 24mm

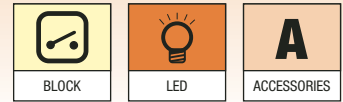


Lever for selector switch, flush mount, colored lever bar options available as indicated

Color	Part No.	Window
Red	61-9028.20	Transparent
Yellow	61-9028.40	Transparent
Green	61-9028.50	Transparent
Blue	61-9028.60	Transparent
White	61-9028.9	Opaque
Black	61-9028.0	Opaque



Choose one component from each of the colored sections to assemble a complete switch.  
For other options or further information please contact EAO Switch directly.



**A Accessories**



Flush front bezel for keylocks, black plastic

Image	Part No.	Size
1	61-9230.0	24 x 30mm
2	61-9220.0	24 x 24mm
3	61-9210.0	25mm Ø
Flush bezel must be ordered/used with keylock flush mount adapter		



Front bezel set for flush mount indicator, illuminated pushbutton and square and rectangular keylock switch

Image	Part No.	Material	Size
1	61-9933.10	Plastic	25mm Ø
2	61-9933.0	Aluminum	25mm Ø
3	61-9931.0	Plastic	24 x 30mm
4	61-9930.0	Plastic	24 x 24mm
5	61-9933.1	Black aluminum	25mm Ø



Flush mount adapter for keylocks and selectors

Image	Part No.	Material	Size
1	61-9932.10	Plastic	25mm Ø
2*	61-9936.0	Plastic	24 x 24mm
3	61-9932.0	Aluminum	25mm Ø
4	61-9932.1	Black aluminum	25mm Ø
5**	61-9930.0	Plastic	24 x 24mm
6**	61-9931.0	Plastic	24 x 30mm
For keylocks must also order flush keylock front bezel to work properly			
* For selectors only			
** For keylocks only			

**A Accessories**



Flap guard, flush mount

Image	Part No.	Size
1	61-9922.0	24 x 30mm
2	61-9921.0	24 x 24mm
3	61-9924.0	25mm Ø



Blanking plate

Image	Part No.	Size
1	61-9453.0	25mm Ø
2	61-9452.0	24 x 30mm
3	61-9451.0	24 x 24mm



Lens remover for flush mount, mounting tool and LED/Lamp remover

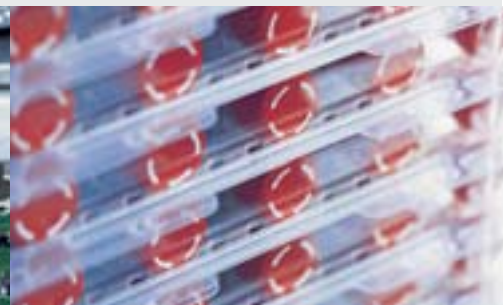
Image	Part No.	Product description
1	61-9730.0	Lens remover for flush mount
2	01-907	Mounting tool
3	61-9740.0	LED/Lamp remover



# Technical Solutions Capabilities

**Throughout EAO's customer solutions processes, EAO takes care of the detailed development of the HMI system, while at the same time continually exchanging information with you.**

Electromechanical switch products	EAO standard and customer-specified products, integrated into a simple or complex solution product, fully wired and functional, with multi-layer PCB, screening and connectors, front panel recesses and lettering.
Front panel	Anodized aluminum, stainless steel, lacquered or powder-coated sheet metal, steel, plastic, plastic foils.
Lettering	Silk-screen printing, laser marking engraving, labeling strips.
Overlay foil	Hard or soft membrane material, customized shapes and styles, using logos and multi-color technology.
Touch sensitive technology	Customized keypads and keyboards and single switches, installation behind all non-conductive materials up to 10mm thick.
Low level input technology	Stainless steel or polydomes, conductive rubber and silver contacts.
Interfaces and specialities	Integration with special components or switching elements, EMC- and RFI-protected, electronic sealing technology, anti-bounce components, RS232, RS-485, CAN-BUS, Interbus, Profibus and other industrial bus systems, IPC or MIL spec.
Industrial design	Functional flow, intuitive layout, selection of colors, international symbols and pictograms, wall mounted, hand held, bench-top, plastic or metal housing, IP/NEMA protected, customized tactile feel, solutions for hand, elbow and foot operation designed to meet the requirements of the disabled, various tactile feel designs.





Choose one component from each of the colored sections to assemble a complete switch.  
For other options or further information please contact EAO Switch directly.

## Product Profile

The Series 84 consists of indicators, momentary pushbuttons and low depth monoblock Emergency-stop switches. The indicators and pushbuttons are a modular system of lens, actuator and switching element with connections using plug-in terminals.

Within the many different colors, the lenses are available either in plastic or anodized aluminum.

Technical drawings see pages 78-79

- IP67 Protection (Switches and Indicators)
- IP65 Protection (Emergency-stop switches)
- Flush Mounting into 22.5mm cut out
- Illumination using Single or Multi-LED's in red, orange, yellow, green, blue or white
- Switching elements with solder or plug-in terminals or ribbon cable with 300mm length
- Switch Rating for indicator and pushbutton: 10mA - 100mA, 50mVAC/VDC - 42VAC/VDC
- Switch Rating for Emergency-stop switch: 3A/120VAC, 1.5A/240VAC
- LED Voltage for Emergency-stop switch: 5-30VDC
- All standard plastic lenses with the exception of black are transparent with translucent white diffuser
- Compact Emergency-stop meets EN 60947-5-1, EN 60947-5-5 and EN 418

## Indicator



Indicator body for flush mount, black plastic, IP67 front protection, 22.5mm mounting

Part No.
84-0100.0

For complete switch also order **A**

## Illuminated pushbutton



Pushbutton actuator for flush mount, black plastic, IP67 front protection, 22.5mm mounting

Part No.	Action	Size
84-1101.0	Momentary	25mm Ø

For complete switch also order **A**

## Illuminated Emergency-stop switch



Emergency-stop red LED illuminated, plug-in terminals, twist release, 32mm diameter for 22.5mm mounting, foolproof to EN 60947-5-5, EN418

Part No.	Contact type
84-5021.2B20	1NC
84-5041.2B20	2NC
84-5031.2B20	1NC/1NO

See Series 04 for available legend plates

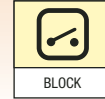


Emergency-stop red LED illuminated, ribbon cable, twist release, 32mm diameter for 22.5mm mounting, foolproof to EN 60947-5-5, EN418

Part No.	Contact type
84-5021.2B40	1NC
84-5041.2B40	2NC
84-5031.2B40	1NC/1NO

See Series 04 for available legend plates

Choose one component from each of the colored sections to assemble a complete switch.  
For other options or further information please contact EAO Switch directly.



**Emergency-stop switch** **Indicator element**



Emergency-stop non illuminated, plug-in terminals, twist release, 32mm diameter for 22.5mm mounting, foolproof to EN 60947-5-5, EN 418



Emergency-stop non illuminated, ribbon cable, twist release, 32mm diameter for 22.5mm mounting, foolproof to EN 60947-5-5, EN 418



Indicator element, 24VDC LED, plug-in terminals, IP67

Part No.	Contact type	Part No.	Contact Type	Color	Part No.	Comment
84-5020.0020	1NC	84-5020.0040	1NC	Red	84-8002.2620	Multi-chip LED
84-5040.0020	2NC	84-5040.0040	2NC	Yellow	84-8002.4620	Multi-chip LED
84-5030.0020	1NC/1NO	84-5030.0040	1NC/1NO	Green	84-8002.5620	Multi-chip LED
				Blue	84-8001.6620	Single-chip LED
				White	84-8001.9620	Single-chip LED
See Series 04 for available legend plates		See Series 04 for available legend plates				

For complete switch also order **A**

**Switch element** **A Accessories**



Switching element, 24VDC LED, plug-in terminals, 1NO, IP67



Lens with white diffuser, plastic for flush mount, round indicator and pushbutton bodies



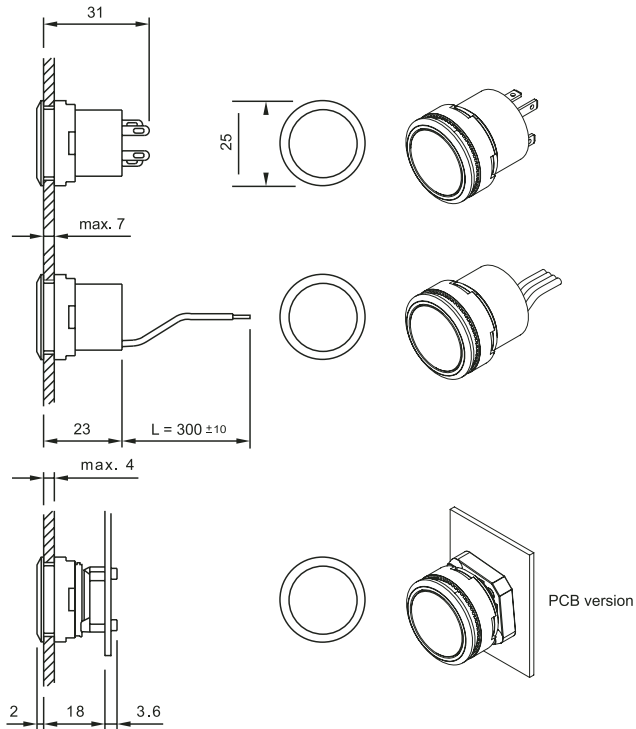
Lens remover for flush mount, mounting tool and switch element remover

Color	Part No.	Comment	Color	Part No.	Comment	Image	Part No.	Product description
Red	84-8512.2620	Multi-chip LED	Red	84-7111.200		1	61-9730.0	Lens remover for flush mount
Yellow	84-8512.4620	Multi-chip LED	Yellow	84-7111.400		2	84-997	Mounting tool
Green	84-8512.5620	Multi-chip LED	Green	84-7111.500		3	84-998	Switch element remover
Blue	84-8511.6620	Single-chip LED	Blue	84-7111.600				
White	84-8511.9620	Single-chip LED	Clear	84-7111.700				
	84-8510.0020	No LED - switching element only	Black	84-7121.000	Not for illumination			

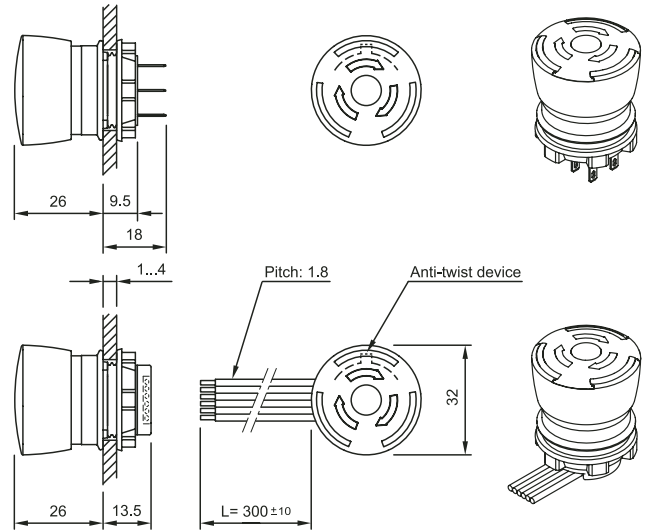
For complete switch also order **A**

## 84 Complete Indicator, Complete Pushbutton

Flush, plug-in terminals



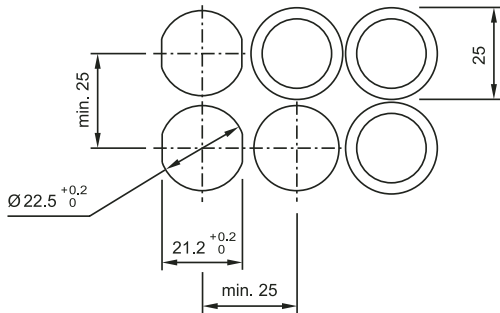
## 84 E-Stop





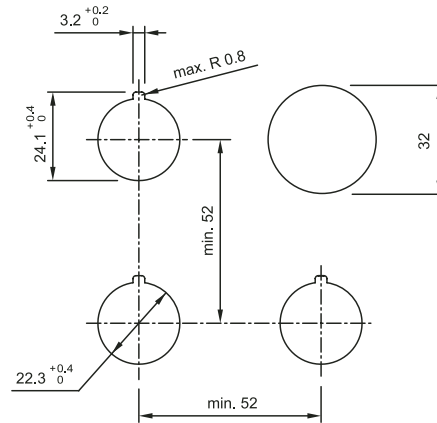
## 84 Cut-outs

Indicator Housing, Pushbutton Actuator



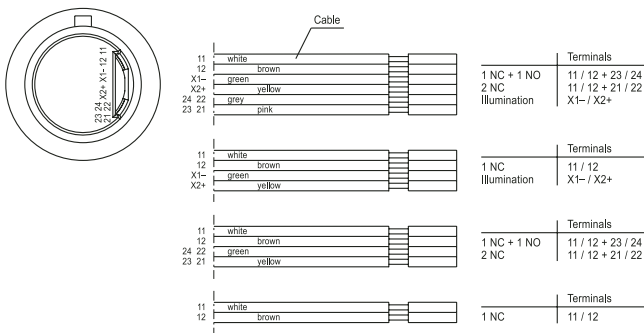
## 84 Cut-outs

E-Stop, EN 418 Illuminated Ribbon Cable, E-Stop EN 418 Non-Illuminated Ribbon Cable



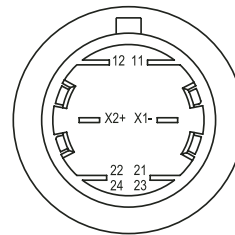
## 84 E-Stop

Ribbon cable wiring



## 84 E-Stop

Solder wiring



# Series 92

16mm IP40 IP67 42VAC/DC 50mA



Choose one component from each of the colored sections to assemble a complete switch. For other options or further information please contact EAO Switch directly.

## Product Profile

The Series 92 is an interesting alternative to membrane switching systems. This Series consists of sealed PCB indicators and pushbuttons rugged enough to last for more than 1 million operations.

Technical drawings see pages 83-84

- 1NO (SPST) contacts rated at 42VAC/DC, 50mA
- Standard IP40 and sealed IP67 actuators
- Excellent tactile feel
- Actuators mount in standard 16mm diameter front panel hole
- Optional LED illumination
- Flexible to mount underneath overlay (contact EAO Switch direct for Series 70)

## Indicator



Indicator actuator, white bezel, IP40 front protection, 16mm mounting - Indicator element, mounting flange and LED needed for complete unit

Color	Part No.	Comment
● Red	92-058.200	
● Yellow	92-058.400	
● Green	92-058.500	
○ Clear	92-058.700	With white diffuser



Indicator actuator, black bezel, IP40 front protection, 16mm mounting - Indicator element, mounting flange and LED needed for complete unit

Color	Part No.	Comment
● Red	92-158.200	
● Yellow	92-158.400	
● Green	92-158.500	
○ Clear	92-158.700	With white diffuser

For complete switch also order **A**

For complete switch also order **A**

## Indicator



Indicator actuator, white bezel, IP67 front protection, 16mm mounting - Indicator element, mounting flange and LED needed for complete unit

Color	Part No.	Comment
● Red	92-043.200	
● Yellow	92-043.400	
● Green	92-043.500	
○ Clear	92-043.700	With white diffuser



Indicator actuator, black bezel, IP67 front protection, 16mm mounting - Indicator element, mounting flange and LED needed for complete unit

Color	Part No.	Comment
● Red	92-143.200	
● Yellow	92-143.400	
● Green	92-143.500	
○ Clear	92-143.700	With white diffuser

For complete switch also order **A**

For complete switch also order **A**

## Illuminated pushbutton






Pushbutton actuator, white bezel, IP40 front protection, 16mm mounting - Switch element, mounting flange, and optional LED, needed for complete unit

Color	Part No.	Action	Comment
● Red	92-358.200	Momentary	
● Yellow	92-358.400	Momentary	
● Green	92-358.500	Momentary	
○ Clear	92-358.700	Momentary	With white diffuser

For complete switch also order **A**





Choose one component from each of the colored sections to assemble a complete switch.  
For other options or further information please contact EAO Switch directly.

 BUZZER	 BLOCK	 LED	<b>A</b> ACCESSORIES
--	---	---	-------------------------

 Illuminated pushbutton







Pushbutton actuator, black bezel, IP40 front protection, 16mm mounting - Switch element, mounting flange, and optional LED, needed for complete unit

Color	Part No.	Action	Comment
 Red	92-458.200	Momentary	
 Yellow	92-458.400	Momentary	
 Green	92-458.500	Momentary	
 Clear	92-458.700	Momentary	With white diffuser







Pushbutton actuator, white bezel, IP67 front protection, 16mm mounting - Switch element, mounting flange, and optional LED, needed for complete unit

Color	Part No.	Action	Comment
 Red	92-343.200	Momentary	
 Yellow	92-343.400	Momentary	
 Green	92-343.500	Momentary	
 Clear	92-343.700	Momentary	With white diffuser



Pushbutton actuator, black bezel, IP67 front protection, 16mm mounting - Switch element, mounting flange, and optional LED, needed for complete unit

Color	Part No.	Action	Comment
 Red	92-443.200	Momentary	
 Yellow	92-443.400	Momentary	
 Green	92-443.500	Momentary	
 Clear	92-443.700	Momentary	With white diffuser

For complete switch also order   **A**

For complete switch also order   **A**

For complete switch also order   **A**

 Indicator element



Indicator element

Part No.
92-800.042

Switching element



Switching element, 42VAC/DC, 50mA

Part No.	Action	Contact
92-851.342	Momentary	1NO

Mounting flange



Mounting flange required for PCB adaptation

Part No.
92-960.0

For complete switch also order   **A**

For complete switch also order   **A**



Choose one component from each of the colored sections to assemble a complete switch. For other options or further information please contact EAO Switch directly.



T-1 Bi-Pin LED



## A Accessories

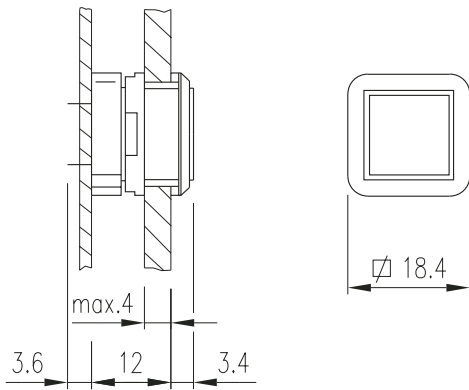
Spacer, PC board and dismantling tool

Color	Part No.	Voltage	Comment	Drawing	Part No.	Product description
Red	10-2602.3172D	2.2VDC / 20mA	Single-chip	1	92-965.0	Spacer
Orange	10-2602.3173D	2.2VDC / 20mA	Single-chip	2	92-989.0	PC board
Yellow	10-2602.3174D	2.2VDC / 20mA	Single-chip	3	92-971.0	Dismantling tool
Green	10-2602.3175D	2.2VDC / 20mA	Single-chip			
Red	10-5609.3172D	12.0VDC / 20mA	Multi-chip			
Orange	10-5609.3173D	12.0VDC / 20mA	Multi-chip			
Yellow	10-5609.3174D	12.0VDC / 20mA	Multi-chip			
Green	10-5609.3175D	12.0VDC / 20mA	Multi-chip			



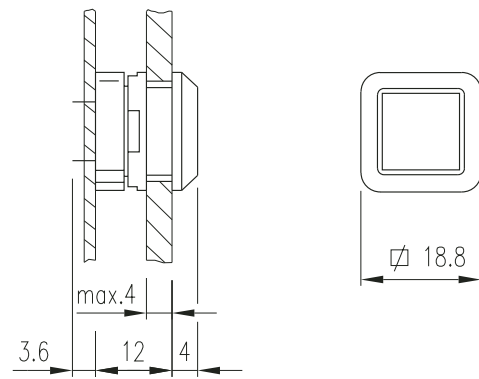
## 92 Pushbutton, Indicator

Illuminated, flush mounting, IP40



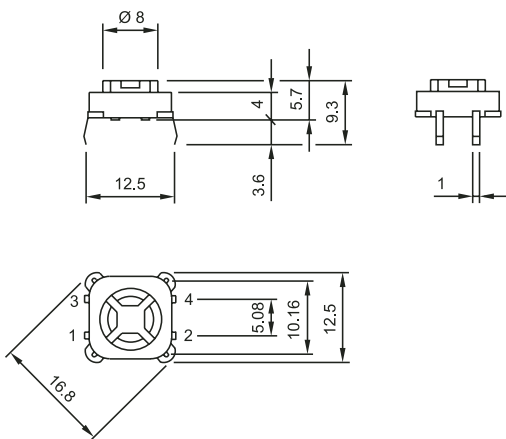
## 92 Pushbutton, Indicator

Illuminated, flush mounting, IP67

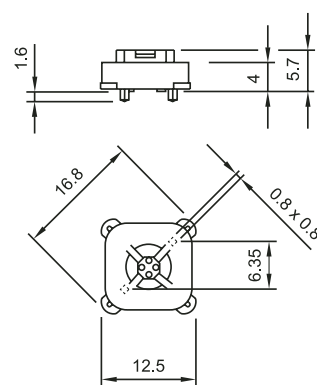


## 92 Switch Element

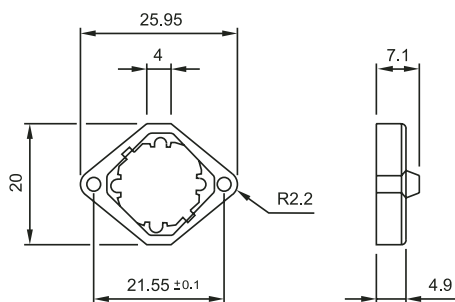
PCB terminal



## 92 Indicator Element

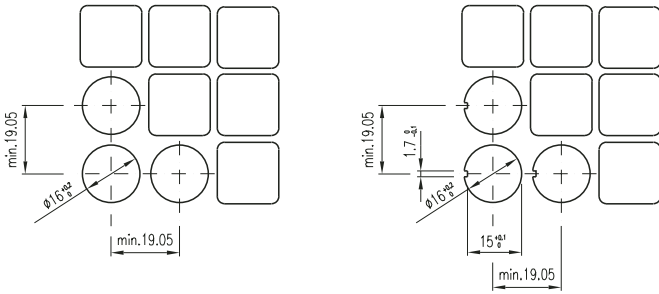


## 92 Mounting Flange

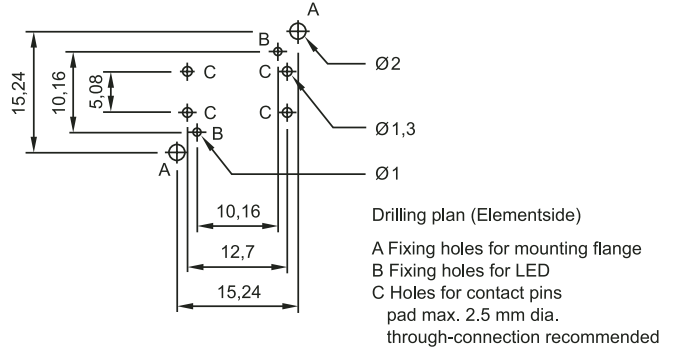


## 92 Cut-outs

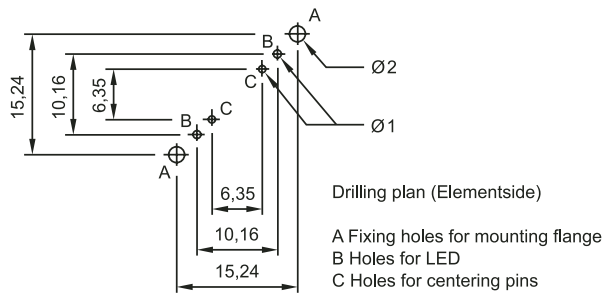
Pushbutton, Indicator, IP40 and IP67



## 92 Switch Element Cut-outs

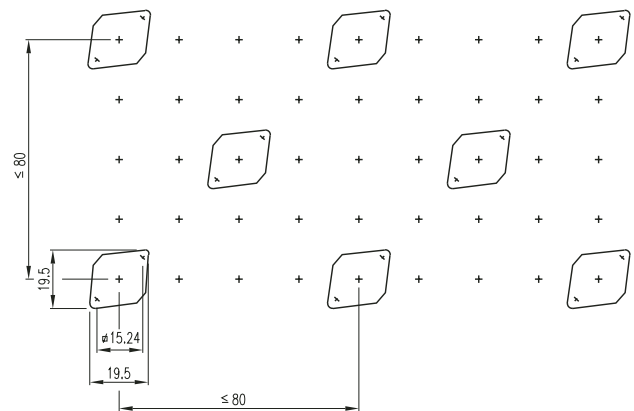


## 92 Indicator Element Cut-outs



## 92 Array

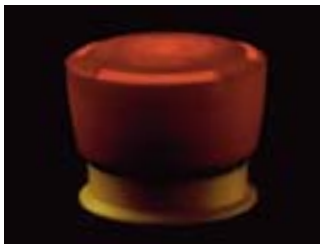
The positioning and number of mounting flanges is determined by the size of the front panel and PCB. For a consistent tactile operation, position mounting flanges as shown below. Suitable for PCBs of 1.6mm thickness





# Advantages of LED Illumination

EAO offers a comprehensive range of sealed, heavy-duty, illuminated indicator pushbuttons and keypads which benefit the end user in terms of visibility in all kinds of lighting and weather conditions.



## LED technology

Operating at relatively low current levels, our high intensity LEDs are robust, have a virtually limitless service life and are fast replacing unreliable filament lamp light sources in various applications. LEDs are available in a variety of colors including red, green, yellow, blue and white with a choice of continuous or flashing light elements.

We are confident that once you have experienced the benefit of our LED assemblies you will not return to an alternative. Full details of EAO illuminated products can be found within the appropriate sections of the catalog.

# Series 95

12.1mm 15.2mm 18.4mm IP40 50mA 48VDC



Choose one component from each of the colored sections to assemble a complete switch.  
For other options or further information please contact EAO Switch directly.

## Product Profile

The Series 95 is a high quality switch range containing illuminated and non-illuminated momentary pushbuttons.

Technical drawings see pages 88-89

- IP40 Protection
- Switch Rating, 50mA, 48VDC
- Suitable for mounting on PCB's with thickness of 1.5 to 2.5mm
- Switch held during the soldering process by the spring clip contacts
- Illumination using independent SMD LED's with PLCC housing (height 2.1mm) and a radiation angle of approx. 120°
- Lenses available: matt translucent or clear transparent in flat, concave or convex
- Available sizes are: 12.1mm, 15.2mm and 18.4mm square
- Greater than 5 million switch cycles
- Independent illumination allows for flexibility
- Silent operation as required in some audio/video applications

## ☉ Illuminated pushbutton



Diffuser, 12.1mm x 12.1mm (small)

Color	Part No.
● Red	95-803.220
● Yellow	95-803.420
● Orange	95-803.320
● Green	95-803.520
● Blue	95-803.620
○ White	95-803.920



Diffuser, 15.2mm x 15.2mm (medium)

Color	Part No.
● Red	95-805.220
● Yellow	95-805.420
● Orange	95-805.320
● Green	95-805.520
● Blue	95-805.620
○ White	95-805.920

For complete switch also order ☑ ☹ **A**

For complete switch also order ☑ ☹ **A**

## ☉ Illuminated pushbutton



Diffuser, 18.4mm x 18.4mm (large)

Color	Part No.
● Red	95-804.220
● Yellow	95-804.420
● Orange	95-804.320
● Green	95-804.520
● Blue	95-804.620
○ White	95-804.920

For complete switch also order ☑ ☹ **A**

## ☑ Switching element



Switching element, 12.1mm x 12.1mm (small)

Part No.
95-313.000

For complete switch also order ☉ **A**






Switching element, 15.2mm x 15.2mm (medium)

Part No.
95-515.000




For complete switch also order ☉ **A**

Choose one component from each of the colored sections to assemble a complete switch.  
For other options or further information please contact EAO Switch directly.

 BLOCK	 LED	 ACCESSORIES
--	--	--

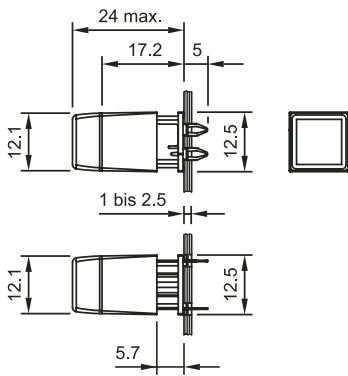
Switching element	LED	A Accessories														
 Switching element, 18.4mm x 18.4mm (large)	 LED Independent illumination with the Series 95 allows for end user flexibility. EAO recommends the following:	 Lens flat, matt translucent or clear transparent, 12.1mm x 12.1mm (small)														
<table border="1"> <thead> <tr> <th>Part No.</th> </tr> </thead> <tbody> <tr> <td>95-414.000</td> </tr> </tbody> </table>	Part No.	95-414.000	<p><b>SMD-LED type:</b> P-LCC2 package or similar, radiation angle approx. 120° use of smaller SMD-LED is possible.</p> <p><b>SMD-LED configurations:</b> max. 2 SMD-LED's (switch size 12.7mm) max. 3 SMD-LED's (switch size 15.88mm or 19.05mm) single color or multi color</p> <p><b>Height of SMD-LED:</b> max.2.1mm</p>	<table border="1"> <thead> <tr> <th>Color</th> <th>Part No.</th> <th>Lens shape</th> <th>Lens material</th> </tr> </thead> <tbody> <tr> <td><input type="radio"/> Neutral</td> <td>95-703.720</td> <td>Flat</td> <td>Matt translucent</td> </tr> <tr> <td><input type="radio"/> Neutral</td> <td>95-703.750</td> <td>Flat</td> <td>Clear transparent</td> </tr> </tbody> </table>	Color	Part No.	Lens shape	Lens material	<input type="radio"/> Neutral	95-703.720	Flat	Matt translucent	<input type="radio"/> Neutral	95-703.750	Flat	Clear transparent
Part No.																
95-414.000																
Color	Part No.	Lens shape	Lens material													
<input type="radio"/> Neutral	95-703.720	Flat	Matt translucent													
<input type="radio"/> Neutral	95-703.750	Flat	Clear transparent													

For complete switch also order  A

A Accessories																																																											
 Lens flat, matt translucent or clear transparent, 15.2mm x 15.2mm (medium)				 Lens flat, matt translucent or clear transparent, 18.4mm x 18.4mm (large)				 Lens remover and mounting tool for use with all three switch sizes																																																			
<table border="1"> <thead> <tr> <th>Color</th> <th>Part No.</th> <th>Lens shape</th> <th>Lens material</th> </tr> </thead> <tbody> <tr> <td><input type="radio"/> Neutral</td> <td>95-705.720</td> <td>Flat</td> <td>Matt translucent</td> </tr> <tr> <td><input type="radio"/> Neutral</td> <td>95-705.750</td> <td>Flat</td> <td>Clear transparent</td> </tr> <tr> <td><input type="radio"/> Neutral</td> <td>95-705.740</td> <td>Concave</td> <td>Matt translucent</td> </tr> <tr> <td><input type="radio"/> Neutral</td> <td>95-705.770</td> <td>Concave</td> <td>Clear transparent</td> </tr> </tbody> </table>	Color	Part No.	Lens shape	Lens material	<input type="radio"/> Neutral	95-705.720	Flat	Matt translucent	<input type="radio"/> Neutral	95-705.750	Flat	Clear transparent	<input type="radio"/> Neutral	95-705.740	Concave	Matt translucent	<input type="radio"/> Neutral	95-705.770	Concave	Clear transparent	<table border="1"> <thead> <tr> <th>Color</th> <th>Part No.</th> <th>Lens shape</th> <th>Lens material</th> </tr> </thead> <tbody> <tr> <td><input type="radio"/> Neutral</td> <td>95-704.720</td> <td>Flat</td> <td>Matt translucent</td> </tr> <tr> <td><input type="radio"/> Neutral</td> <td>95-704.750</td> <td>Flat</td> <td>Clear transparent</td> </tr> <tr> <td><input type="radio"/> Neutral</td> <td>95-704.740</td> <td>Concave</td> <td>Matt translucent</td> </tr> <tr> <td><input type="radio"/> Neutral</td> <td>95-704.770</td> <td>Concave</td> <td>Clear transparent</td> </tr> <tr> <td><input type="radio"/> Neutral</td> <td>95-704.730</td> <td>Convex</td> <td>Matt translucent</td> </tr> <tr> <td><input type="radio"/> Neutral</td> <td>95-704.760</td> <td>Convex</td> <td>Clear transparent</td> </tr> </tbody> </table>	Color	Part No.	Lens shape	Lens material	<input type="radio"/> Neutral	95-704.720	Flat	Matt translucent	<input type="radio"/> Neutral	95-704.750	Flat	Clear transparent	<input type="radio"/> Neutral	95-704.740	Concave	Matt translucent	<input type="radio"/> Neutral	95-704.770	Concave	Clear transparent	<input type="radio"/> Neutral	95-704.730	Convex	Matt translucent	<input type="radio"/> Neutral	95-704.760	Convex	Clear transparent	<table border="1"> <thead> <tr> <th>Image</th> <th>Part No.</th> <th>Product description</th> </tr> </thead> <tbody> <tr> <td>1</td> <td>95-900.009</td> <td>Mounting tool</td> </tr> <tr> <td>2</td> <td>95-900.005</td> <td>Lens remover</td> </tr> </tbody> </table>	Image	Part No.	Product description	1	95-900.009	Mounting tool	2	95-900.005	Lens remover
Color	Part No.	Lens shape	Lens material																																																								
<input type="radio"/> Neutral	95-705.720	Flat	Matt translucent																																																								
<input type="radio"/> Neutral	95-705.750	Flat	Clear transparent																																																								
<input type="radio"/> Neutral	95-705.740	Concave	Matt translucent																																																								
<input type="radio"/> Neutral	95-705.770	Concave	Clear transparent																																																								
Color	Part No.	Lens shape	Lens material																																																								
<input type="radio"/> Neutral	95-704.720	Flat	Matt translucent																																																								
<input type="radio"/> Neutral	95-704.750	Flat	Clear transparent																																																								
<input type="radio"/> Neutral	95-704.740	Concave	Matt translucent																																																								
<input type="radio"/> Neutral	95-704.770	Concave	Clear transparent																																																								
<input type="radio"/> Neutral	95-704.730	Convex	Matt translucent																																																								
<input type="radio"/> Neutral	95-704.760	Convex	Clear transparent																																																								
Image	Part No.	Product description																																																									
1	95-900.009	Mounting tool																																																									
2	95-900.005	Lens remover																																																									

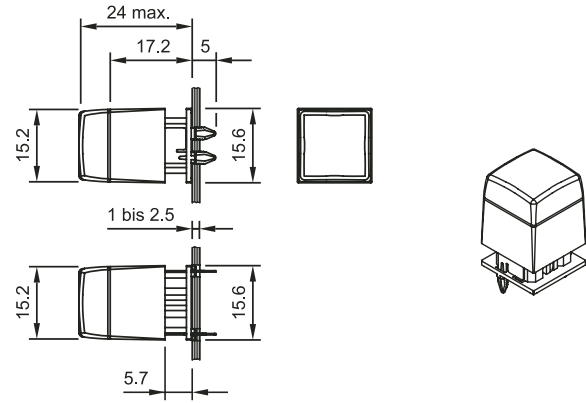
## 95 Pushbutton

Small



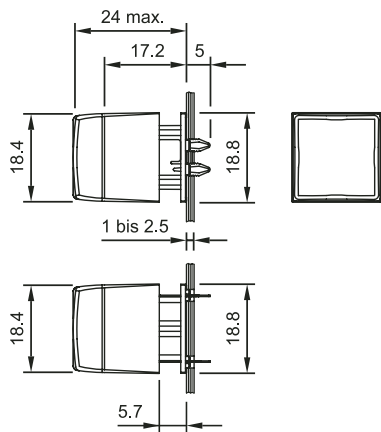
## 95 Pushbutton

Medium



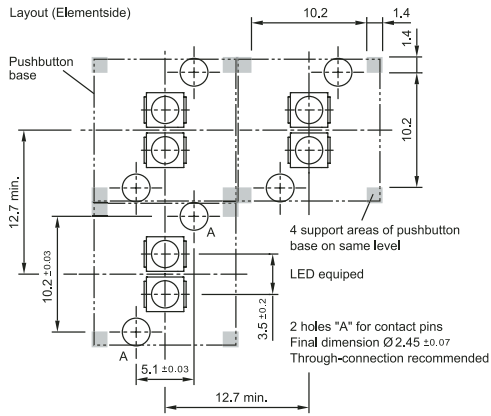
## 95 Pushbutton

Large



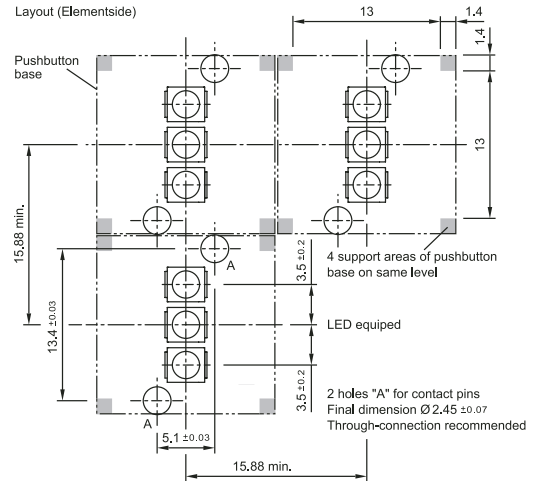
## 95 Pushbutton Cut-outs

Small



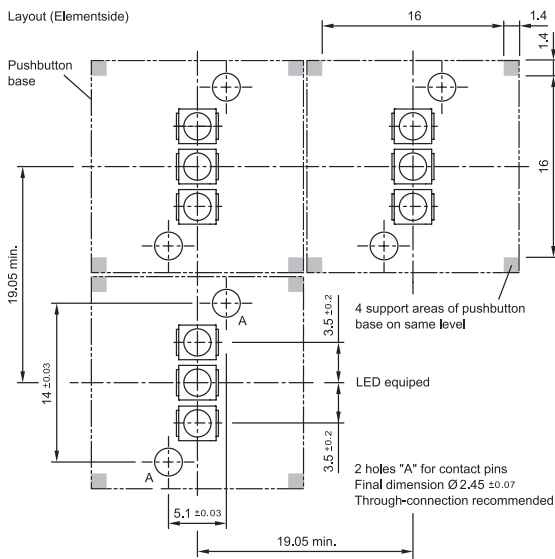
## 95 Pushbutton Cut-outs

Medium



## 95 Pushbutton Cut-outs

Large





For other options, keypads or custom configurations please contact EAO Switch directly.

Product Profile

The AVME Series is a high quality, vandal resistant keypad range especially designed to meet the needs of public environment applications, vending machines, ticket machines and access systems.

Technical drawings see page 91

- Anti pull-off keys
- Alternative concave or flat profile keys
- Positive tactile feel using click dome technology
- IP67 front face sealing behind panel
- 12 or 16 key versions

Keypad



Non-illuminated keypad, 3x4 keys, pin header connection, concave keys

Part No.	Output type	Key shape
A.12150.C01	Matrix	Concave
A.12100.C01	Common point	Concave



Non-illuminated keypad, 4x4 keys, pin header connection, concave keys

Part No.	Output type	Key shape
A.16350.C01	Matrix	Concave
A.16300.C01	Common point	Concave

Keypad



Non-illuminated keypad, 3x4 keys, pin header connection, flat keys

Part No.	Output type	Key shape
A.12150.P01	Matrix	Flat
A.12100.P01	Common point	Flat



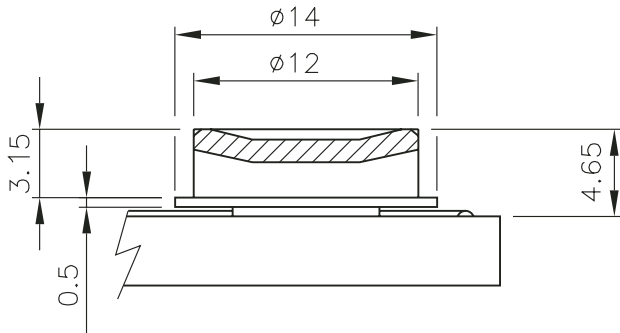
Non-illuminated keypad, 4x4 keys, pin header connection, flat keys

Part No.	Output type	Key shape
A.16350.P01	Matrix	Flat
A.16300.P01	Common point	Flat



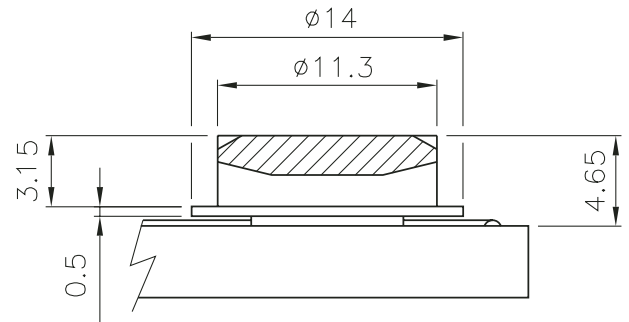
## AVME Keypad

Concave key



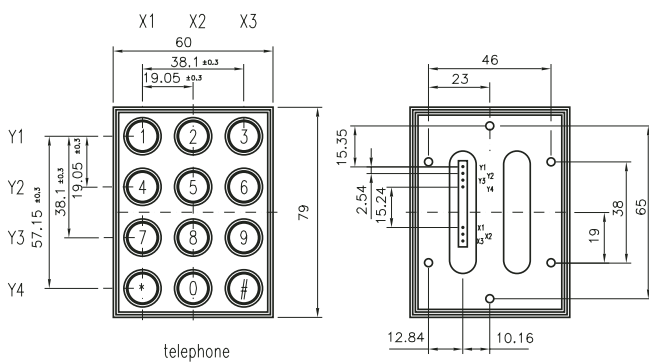
## AVME Keypad

Flat key



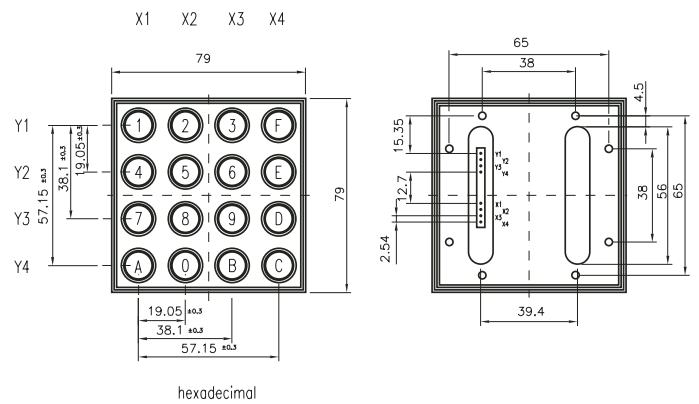
## AVME Cut-outs

3x4 keypads



## AVME Cut-outs

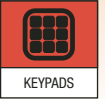
4x4 keypads



## AVME Cut-outs

Contact EAO Switch directly

For other options, keypads or custom configurations please contact EAO Switch directly.



**Product Profile**

The S.series is a high quality, vandal resistant keypad range especially designed to meet the needs of public environment applications, vending machines, ticket machines, door entry systems, banking/ATM, telephones and industrial machinery.

Technical drawings see pages 93-94

- Illuminated or non illuminated options
- Anti pull-off keys
- High impact resistance
- All metal construction (chromed Zamak keys and housing)
- IP67 front face sealing with gasket supplied
- Front or rear panel mounting
- 12 or 16 key versions

**Non illuminated keypad**



Non-illuminated keypad, 3x4 keys, pin header connection

Part No.	Output type
S.12150.001	Matrix
S.12100.001	Common point



Non-illuminated keypad, 4x4 keys, pin header connection

Part No.	Output type
S.16350.001	Matrix
S.16300.001	Common point

**Illuminated keypad**



Illuminated keypad, 3x4 keys, pin header connection

Part No.	Output type
S.12150.241	Matrix
S.12100.241	Common point

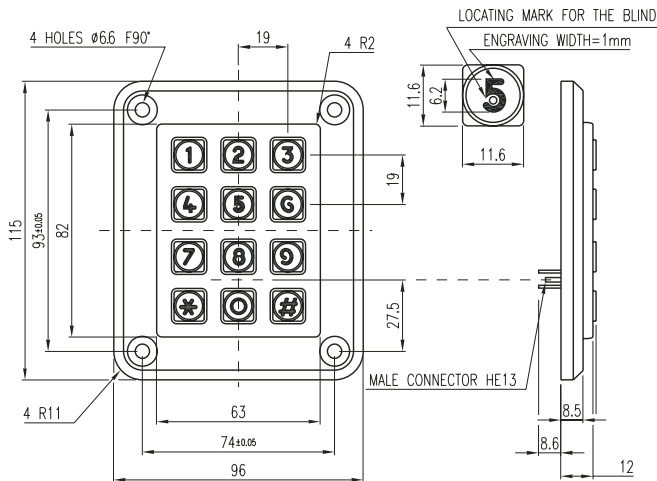


Illuminated keypad, 4x4 keys, pin header connection

Part No.	Output type
S.16350.241	Matrix
S.16300.241	Common point

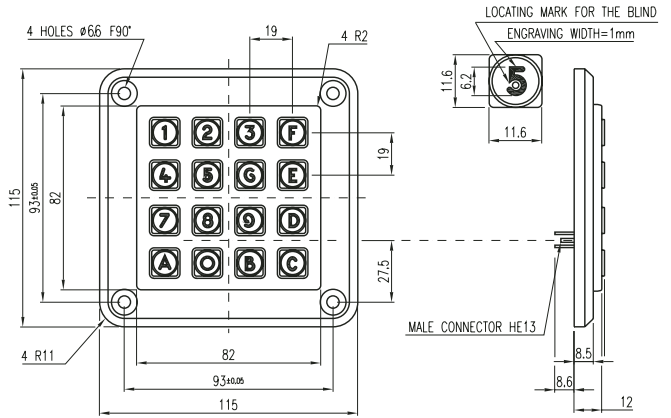
## S.series Keypad

3x4 Keypads



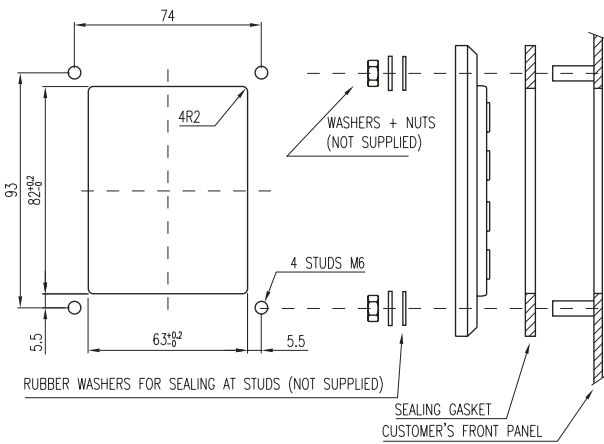
## S.series Keypad

4x4 keypads



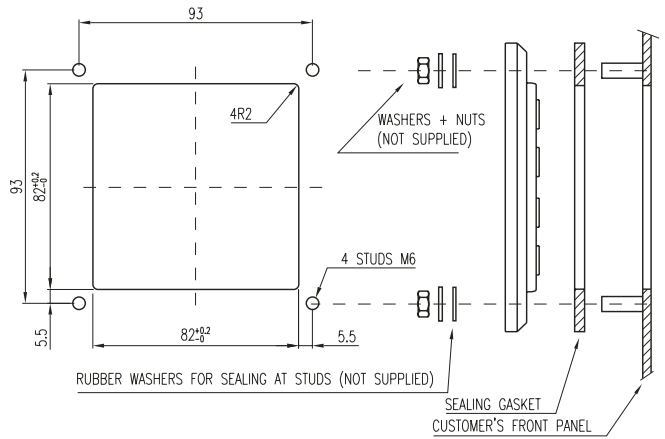
## S.series Keypad Cut-outs

3x4 Keypads

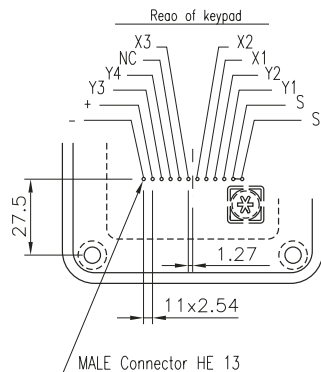
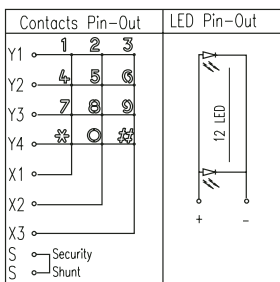


## S.series Keypad Cut-outs

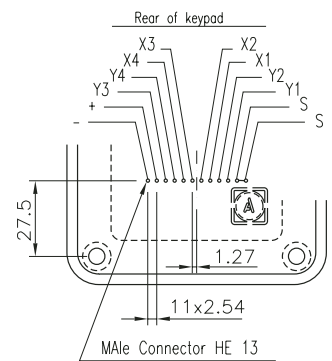
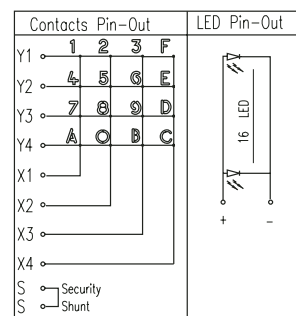
4x4 keypads



## S.series 3x4 Illuminated Matrix



## S.series 4x4 Illuminated Matrix





## Transportation

Application	Lift to help disabled persons to board trains
Product description	Series 14, Series 61, both with front bezel set for mushroom-head button
Customer priorities	Customized for use by disabled people, quality of engraving, positive tactile feedback



## Communications

Application	Internet/Product browser
Product description	W.series keyboard
Customer priorities	Stainless steel finish Smooth key action Beautiful design



## Machinery

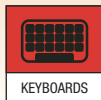
Application	Central-control room for chemical process plants
Product description	Series 04 illuminated pushbuttons Series 04 key switches Series 04 protective covers
Customer priorities	Quality and reliability, cosmetic appearance, range of options and accessories



## Instrumentation

Application	Control desk for marine propellers
Product description	Series 61 flush, rectangular
Customer priorities	Good design competence Quality seal Approvals





For other options, keypads, keyboards or custom configurations please contact EAO Switch directly.

## Product Profile

The Touch Sensitive Keyboard range operates from under a transparent protective screen, designed to resist cleaning agents and fluids, moisture, dirt ingress and damage from shock and impact, making it ideally suitable for a wide range of applications in industrial and public areas.

Technical drawings see page 98

- IP65
- Works under polycarbonate or glass up to 10mm thick for certain models
- Adjustable sensitivity
- With or without touchpad
- PS2 or USB connection
- Environment: PS2, Win NT4, 98 SE, ME, 2000 PRO Pack II, XP
- Available in several language layouts
- SCB software included with 74 key unit for design of keyboard and touchpad overlay
- Customization of key functions on 74 key unit using SCB software
- 105 key OEM version supplied with mounting kit
- Custom layouts possible
- Desktop or behind-panel mounting styles

## Rugged touch sensitive touchpad



Touchpad without overlay available with 1 or 2 buttons

Part No.	Output type	Comment
75.00100.U02	USB	1 click
75.00200.U03	USB	2 clicks

## Rugged touch sensitive keyboard



Alphanumeric programmable keyboard, 74 keys on PCB without overlay, cable output, layouts in English, German, French and US English

Part No.	Layout	Output type
75.074K0.S01	English	PS2
75.074D0.S01	German	PS2
75.074F0.S01	French	PS2
75.074U0.S01	US English	PS2
75.074K0.U01	English	USB
75.074D0.U01	German	USB
75.074F0.U01	French	USB
75.074U0.U01	US English	USB

Keyboard mounting kit, part no. 75.00005.K01 is available on request

## Rugged touch sensitive keyboard



Alphanumeric keyboard, OEM version, 105 keys on PCB with overlay, cable output, layouts in English, German, French and US English

Part No.	Layout	Output type
75.105K1.S01	English	PS2
75.105D1.S01	German	PS2
75.105F1.S01	French	PS2
75.105U1.S01	US English	PS2
75.105K1.U01	English	USB
75.105D1.U01	German	USB
75.105F1.U01	French	USB
75.105U1.U01	US English	USB

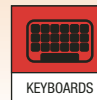


Alphanumeric keyboard, desktop housing version, 105 keys, cable output, layouts in English, German, French and US English

Part No.	Layout	Output type
75.105K1.S06	English	PS2
75.105D1.S06	German	PS2
75.105F1.S06	French	PS2
75.105U1.S06	US English	PS2
75.105K1.U06	English	USB
75.105D1.U06	German	USB
75.105F1.U06	French	USB
75.105U1.U06	US English	USB



For other options, keypads, keyboards or custom configurations please contact EAO Switch directly.



**Rugged touch sensitive keyboard with touchpad**



Alphanumeric keyboards, integrated touchpad, OEM version, 105 keys on PCB with overlay, cable output, layouts in English, German, French and US English



Alphanumeric keyboard with integrated touchpad, desktop housing version, 105 keys, cable output, layouts in English, German, French and US English

Part No.	Layout	Output type	Part No.	Layout	Output type
75.105K2.S01	English	PS2	75.105K2.S06	English	PS2
75.105D2.S01	German	PS2	75.105D2.S06	German	PS2
75.105F2.S01	French	PS2	75.105F2.S06	French	PS2
75.105U2.S01	US English	PS2	75.105U2.S06	US English	PS2
75.105K2.U01	English	USB	75.105K2.U06	English	USB
75.105D2.U01	German	USB	75.105D2.U06	German	USB
75.105F2.U01	French	USB	75.105F2.U06	French	USB
75.105U2.U01	US English	USB	75.105U2.U06	US English	USB

## Touch-Sensitive Keyboards Overview

### The Technology

Touch-sensitive technology involves the use of high-frequency signals whose amplitude is modified when a key is activated, i.e. when it is touched or skimmed by the user's finger.

A touch-sensitive keyboard consists of three elements:

- a set of keys, on a printed circuit board;
- an interface card;
- a non-conductive front panel (glass, polycarbonate, etc).

Each key circuit features a detector circuit or cell. The detector circuit is protected by an EAO patent. An HF generator sends the HF signal to the keys.

An interface card based around a micro-controller controls all the keys. The keyboard's output signal is transmitted to the PC via a standard PS2 or USB port.

### Principle

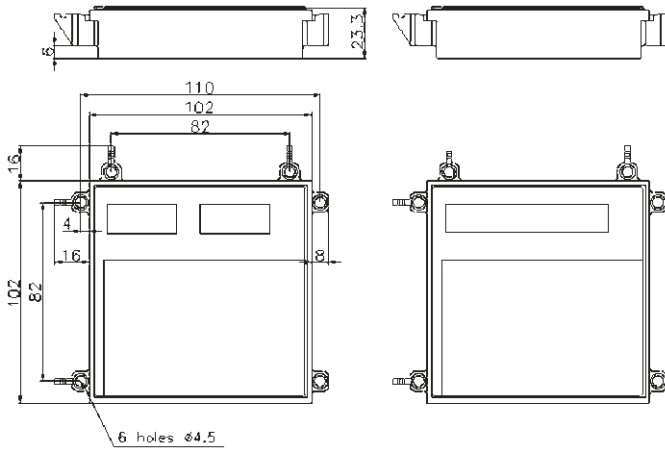
Each key on the keyboard consists of a copper area linked to a HF-emitting detector cell. This copper area may be

considered as the armature of a capacitor, with the front panel of the keyboard acting as the dielectric (the non-conductive isolating material).

When a human finger touches the contact area, it acts as the second armature of the capacitor, grounded through the user's body. The body's electrical properties then act as a serial RLC (Resistor-Self-Capacitor) network, diverting part of the HF voltage generated on the key. This drop in voltage constitutes a change in the output state and is detected as such by the micro-controller.

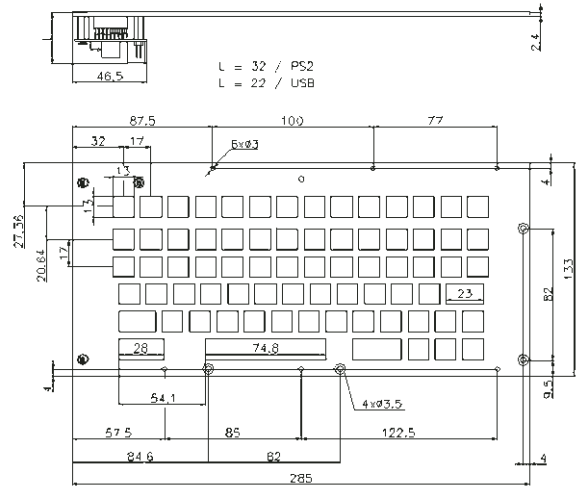
## TSK.series touchpad

With overlay



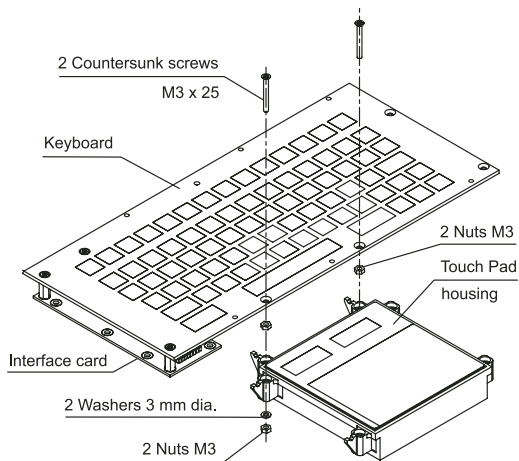
## TSK.series keyboard

Alphanumeric programmable keyboard, 74 keys



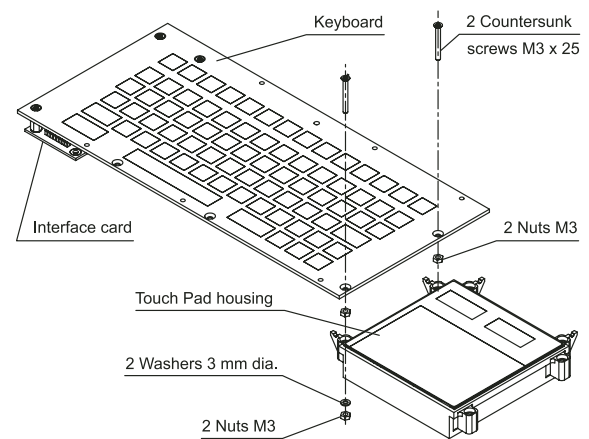
## TSK 74 keyboard

Mouse below



## TSK 74 keyboard

Mouse on side



## TSK 105 OEM dimensions

## TSK 105 Desktop dimensions

# Engraving for Keypads and Keyboards

**EAO offers fully-customized keypads and keyboards with function keys that can be engraved to exact needs. Customers can specify the engraving that they need from a wide range of characters and symbols, including upper and lower case lettering, graphics and engineering characters – Roman and Greek – and superscripts and subscripts. Original graphics may also be introduced.**

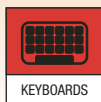


Where appropriate, metal keys can be marked using high-tech, computer-controlled laser engraving machines. These markings are effectively burned into the keys so they are far more wear-resistant than conventional engraving. EAO also offers a conventional engraving service on plastic keys.

LED illumination is available on certain products as an alternative to engraving.

EAO's range of customizable products are suited to most applications, including payment terminals, access control.





For other options, keypads, keyboards or custom configurations please contact EAO Switch directly.

## Product Profile

The W.series mechanical tactile keyboards are designed to operate in hostile environments, making them ideal for applications in industrial and public areas.

Technical drawings see pages 102-103

- All metal construction (chromed Zamak keys and brushed stainless steel for the front plate)
- Laser engraving ensuring good and long term legibility
- High resistance to vandalism: up to 10J
- Anti pull-off keys
- Sealed against liquid penetration to IP67
- Top or back mounting
- PS2 or USB connection
- Environment: PS2, Win NT4, 98 SE, ME, 2000 PRO Pack II, XP Pro
- With or without pointing device: Standard or optical trackball and touchpad
- Available in different language layouts with standard or customized markings
- Possible internet dedicated keys - "www" and ".com"
- Internet and standard industrial versions available

## Rugged mechanical keyboard



Alphanumeric keyboard, back mounting, 63 keys, layouts in English, German, French and US English internet version

Part No.	Layout	Output type
W.630KW.S10	English	PS2
W.630DW.S10	German	PS2
W.630FW.S10	French	PS2
W.630UW.S10	US English	PS2
W.630KW.U10	English	USB
W.630DW.U10	German	USB
W.630FW.U10	French	USB
W.630UW.U10	US English	USB
Contact EAO for industrial version		



Alphanumeric keyboard, top mounting, 63 keys, layouts in English, German, French and US English internet version

Part No.	Layout	Output type
W.630KW.S11	English	PS2
W.630DW.S11	German	PS2
W.630FW.S11	French	PS2
W.630UW.S11	US English	PS2
W.630KW.U11	English	USB
W.630DW.U11	German	USB
W.630FW.U11	French	USB
W.630UW.U11	US English	USB
Contact EAO for industrial version		

## Rugged mechanical keyboard



Alphanumeric keyboard, stainless steel trackball, 2 clicks, back mounting, 65 keys, layouts English, German, French and US English internet version

Part No.	Layout	Output type
W.65BKW.S10	English	PS2
W.65BDW.S10	German	PS2
W.65BFW.S10	French	PS2
W.65BUW.S10	US English	PS2
W.65BKW.U10	English	USB
W.65BDW.U10	German	USB
W.65BFW.U10	French	USB
W.65BUW.U10	US English	USB
Contact EAO for industrial version		



Alphanumeric keyboard, stainless steel trackball, 2 clicks, top mounting, 65 keys, layouts English, German, French and US English internet version

Part No.	Layout	Output type
W.65BKW.S11	English	PS2
W.65BDW.S11	German	PS2
W.65BFW.S11	French	PS2
W.65BUW.S11	US English	PS2
W.65BKW.U11	English	USB
W.65BDW.U11	German	USB
W.65BFW.U11	French	USB
W.65BUW.U11	US English	USB
Contact EAO for industrial version		



For other options, keypads or custom configurations please contact EAO Switch directly.



Product Profile

The W.series is a high quality, vandal resistant keypad range especially designed to meet the needs of banking markets, POS terminals, public environment applications and other industrial applications.

Technical drawings see pages 102-103

- High impact resistance up to 10J
- All metal construction (chromed Zamak keys and brushed stainless steel for the front plate)
- Anti pull-off keys
- IP67 sealing when mounted
- 4, 16 or 20 key versions
- Illuminated versions available
- Custom configurations, layouts, legends and illumination available
- Double-width keys available

Rugged keypad



Keypad with 4 blank keys



Keypad, 4 keys engraved with arrows and filled with black paint

Part No.	Contact terminals	Part No.	Contact terminals
W.04000.P01	Pin Header	W.0400X.038	Pin Header

Rugged keypad



Keypad, 4 yellow illuminated keys, A-D

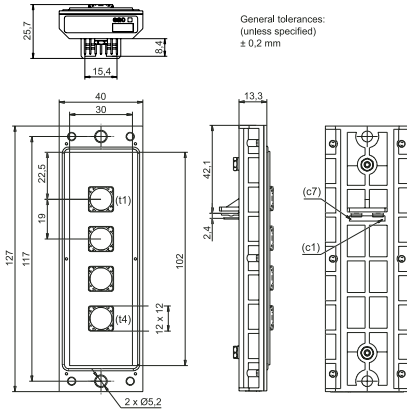


Customized keypad capabilities. Customization possible for layouts and key markings. For further details please contact your local sales office.

Part No.	Contact terminals	
W.0400X.016	Pin Header	Contact EAO Switch directly

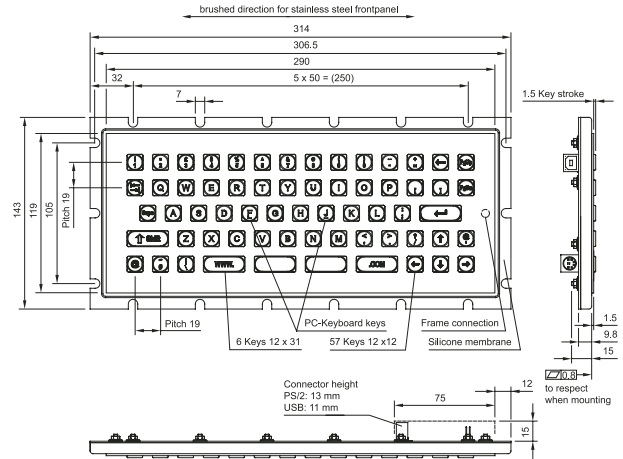
## W.series Keypad

Keypad 4 Keys Blank, 4 Keys Arrows, 4 Keys Illuminated A-D



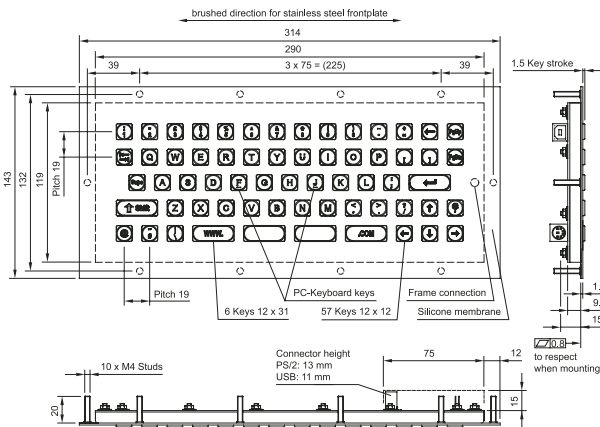
## W.series Keyboard

Alphanumeric Mechanical 63 Keys Back Mount



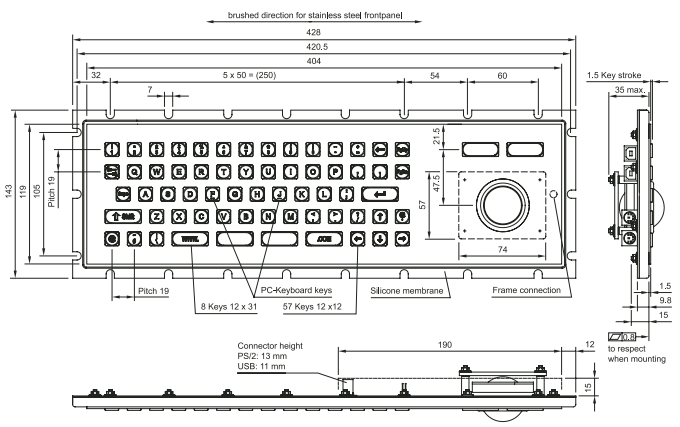
## W.series Keyboard

Alphanumeric Mechanical 63 Keys Top Mount



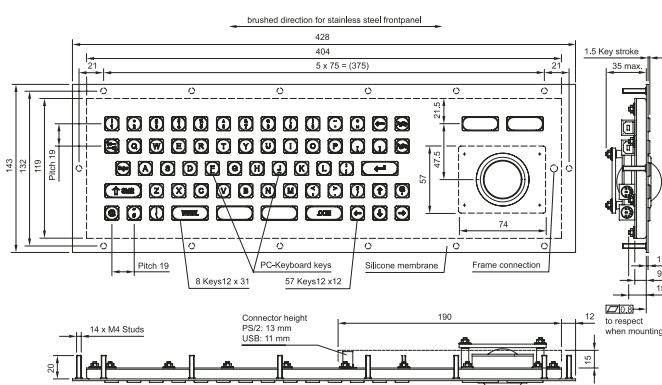
## W.series Keyboard

Alphanumeric Mechanical 65 Keys Back Mount



## W.series Keyboard

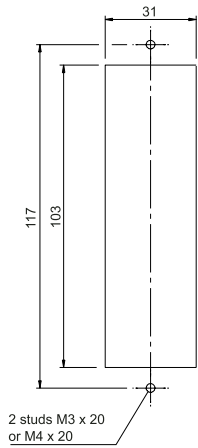
Alphanumeric Mechanical 65 Keys Top Mount





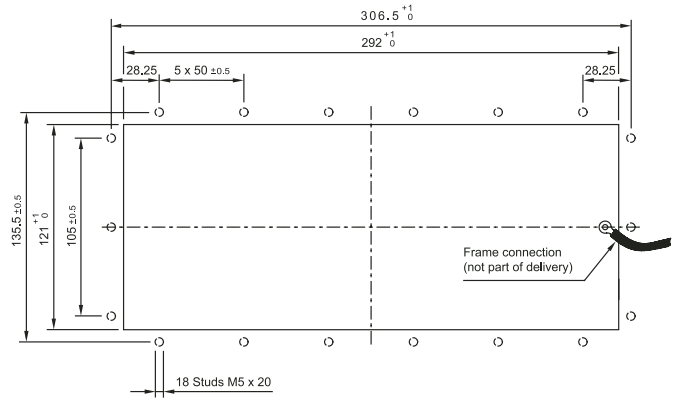
## Wseries Keypad Cut-outs

1x4 keypad



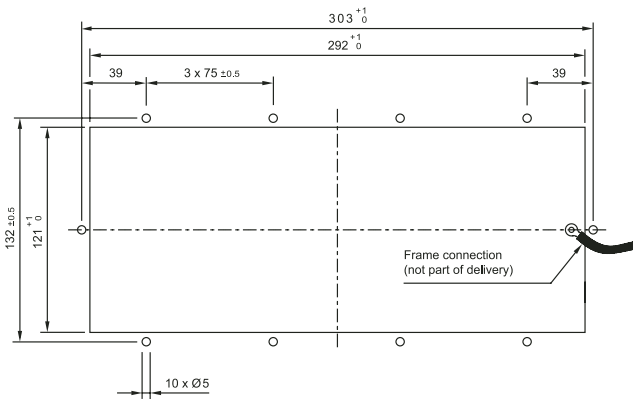
## Wseries Keypad Cut-outs

Alphanumeric Mechanical 63 Keys Back Mount



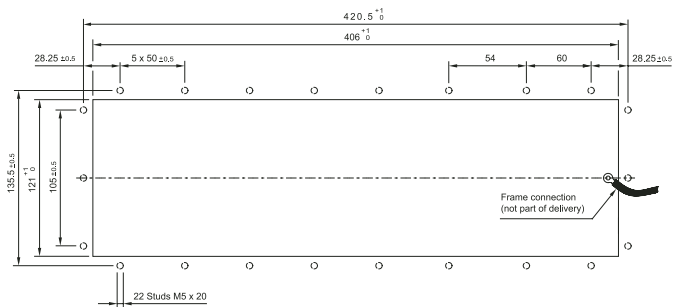
## Wseries Keypad Cut-outs

Alphanumeric Mechanical 63 Keys Top Mount



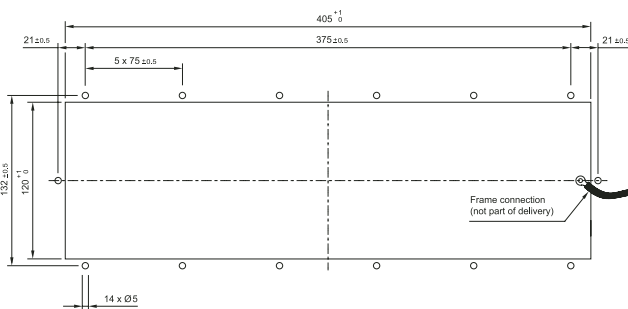
## Wseries Keypad Cut-outs

Alphanumeric Mechanical 65 keys Back Mount



## Wseries Keypad Cut-outs

Alphanumeric Mechanical 65 keys Top Mount



# 1K2

For other options, keypads or custom configurations please contact EAO Switch directly.

## Product Profile

The 1K2 Series is recommended for all PCB applications and is the most compact changeover switch on the market.

Technical drawings see page 105

- Miniature single-pole changeover slide switch
- Ideal as a jumper replacement
- Highly compact with 2.54mm pitch pins
- Straight and right angled versions
- High reliability
- Gold contact as standard
- Fully sealed base suitable for solvent cleaning. Contact EAO Switch for details
- Raised actuator version suitable for through-panel operation

## Changeover switch



1K2 changeover switch, PCB mount

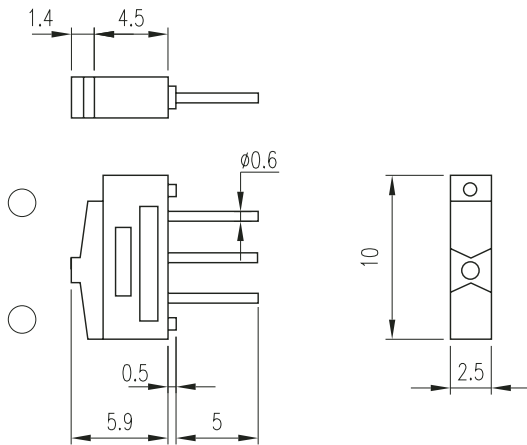
Part No.	Actuator	Orientation	Contact Material
09.03290.01	Extended (black)	Straight	Standard Gold plated
09.10290.01	Extended (black)	Right Angled	Standard Gold plated
09.03201.02	Low Profile (red)	Straight	Standard Gold plated
09.10201.02	Low Profile (red)	Right Angled	Standard Gold plated
19.03201.01	Low Profile (red)	Straight	Tropicalised Gold plated

Actuator position is opposite of switch contact



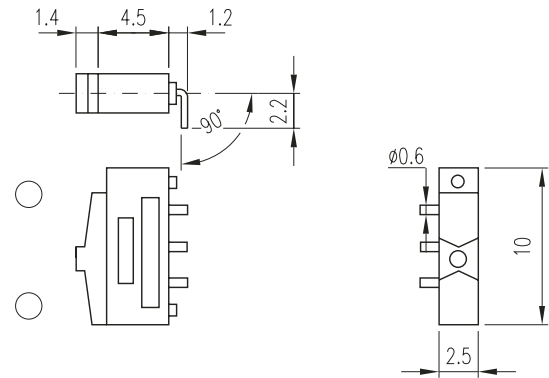
1K2

Low Profile Straight



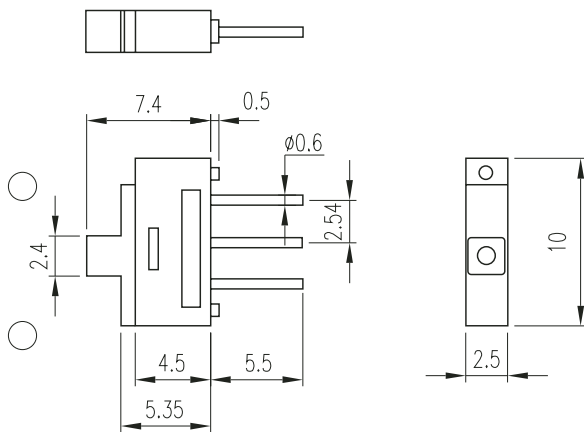
1K2

Low Profile Right Angle



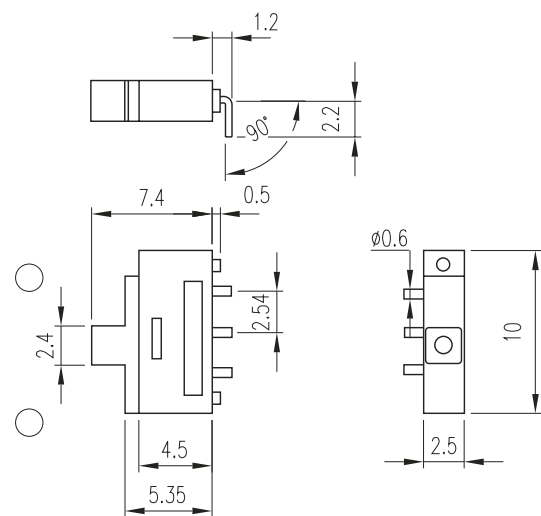
1K2

Extended Straight



1K2

Extended Right Angle



# Glossary

This glossary contains short explanations of terms used in this catalog. Definitions are given for these terms and, for some, regulations relating to them.

## Actuating force

Force (N) exerted on an Operation part that is necessary for the execution of the required activation

## Actuating torque

Torque (Nm) exerted on an Operation part that is necessary for the execution of the required activation

## Actuating travel

Path travelled by Operation part in mm

## Actuation Point

Position of actuator at which contact operation occurs

## Actuator

The part of a switch assembly used by the operator that causes switch contacts to engage or disengage. Actuators include pushbuttons, levers, slides, keylocks, toggles, emergency stop caps, etc.

## Alternations

DIN EN 61058 T.1 (VDE 0630 T.1) para. 3.4.8 => Consequence of the changing of one switch position into another and back into the first, via all other switch positions, if such switch positions are present

## Ambient temperature, enclosed

Temperature (°C) at which a switchgear in a closed housing can be operated. The power loss of the Switchgear (filament lamp operation also) has to be taken into consideration as it can lead to heating up in the interior of the housing.

## Ambient temperature, open

Temperature (°C) of the space in which the Switchgear is being operated.

## Application class (climatic)

Specification in code letters for the climatic stress (DIN 40040)

## Arcing

A discharge of electricity (a spark) that can occur when contacts are opened or closed. Arcing can degrade or burn contacts, reducing useful life

## AWG

Abbreviation for American wire gauge, a system of indicating wire sizes and dimensions

## Behind Panel Depth

Distance from the rear surface of a panel to the far end of the switch mounted on the panel

## Bifurcated Contacts

Two part contacts for longer life and higher reliability

## Blind plug

For covering unused mounting holes

## Bounce

Rebounding of contacts as they come together. Can prolong arcing or may open and close rapidly before stabilizing

## Break

Interruption of a circuit. Double-break occurs when two contacts are opened simultaneously

## Break-Before-Make

When moving contacts interrupt one circuit before completing another. Also called non-shortening

## Breakdown Voltage

The voltage at which an insulating material fails electrically

## Break-make contact

Contact made of a combination of NO (Normally Open) and NC (Normally Closed) contacts, with 3 Connections (Changeover switch contact)

## Butt Contacts

One movable and one fixed contact which lay against each other when closing a circuit. Used in slow-make/break A.C. switching applications

## Buzzer

Acoustic buzzer, piezo technology

## Buzzer element

Acoustic indicator (Swisstac)

## CE designation

The CE designation used on a product declares that it complies with the relevant fundamental requirements of all applicable guidelines of the EU and that the stipulated conformity evaluation procedure has been executed

## Chatter

Rapid opening and closing of contacts, usually exhibited during extreme vibration and/or shock. (See also Bounce)

## Clearance

IEC 947-1 para. 2.5.19, DIN EN 61058 T.1 (VDE 0630 T.1) para. 3.1.7 => Shortest distance (mm) through the air between two electrically conducting parts or between an electrically conducting part and a metal foil on the touchable surface made of insulating material

## Climatic resistance

Specifies the permissible temperature range and relative humidity of the switchgear

## Connection, connection method (functional designation)

Electrical connection to the external circuit i.e.: Soldering/Plug-in terminal, Screw terminal

## Contact (of mechanical switchgear)

Conductive part that opens or closes a circuit by being activated

## Contact connection (technical component designation)

Designation of the Connection method i.e.: Screw terminal

## Contact Gap

Open distance between contacts

## Contact resistance

Resistance value which arises in a switchgear between the Contact parts of the circuit being switched

## Contacts

A pair of devices that touch or come apart at the point where the switch throw makes or breaks the circuit. Silver contacts are common because of their low conductivity and low electrical resistance. Gold contacts are used for low level (signal level) switching (100mA/42V)

## Conventional thermal current Ith

IEC 947-1 para. 4.3.2.1 => Highest current (A) that a Switchgear can conduct for at least 8 hours without thermal overload, generally corresponds to the maximum Rated higher current

## CSA

Abbreviation for Canadian Standards Association, a Canadian rating organization

## Current consumption

Current, expressed in mA, which flows in an illumination device subject to electric tension

## Current max.

Usually refers to the current handling capability or rating of a switch

## Cycle of operation

Consequence of the changing of one switch position into another and back into the first, via all other switch positions, if such switch positions are present

## Degree of pollution

IEC 947-1 para. 5.5.58 / 6.1.3.2 => Reference number for the expected quantity of conductive dirt and air humidity which can lead to the reduction of the electric strength of a switchgear. The degree of pollution is described in 4 different grades

## Detent, Tactile point

Feature that indicates actuation point has been reached. Also referred to as tactile feel because of construction element in a switch which provides a tactile response to the activation

## Dielectric Strength

DIN EN 61058 T.1 (VDE 0630 T.1) para. 15.1 => Resistance (kOhm, MOhm) between the different poles of a switch (base insulation) and between all parts

which are under electric tension and are associated with each other and a metal foil which is superimposed on the touchable metal parts which are in contact with the base insulation. Quality of nonconducting material to withstand a maximum voltage

## Differential

Distance (or angle) from the operating position to the release position

## Diode element with 1 diode

1 blocking diode for free connection i.e. for lamp testing in an element block

## Diode element with 2 diodes

2 blocking diodes for free connection i.e. for lamp testing in an element block

## Double break

Contact, in which the two disconnection points of the circuit are present

## Double pushbutton

2 independent pushbuttons in a single switchgear device

## Double pushbutton actuator

Front part of a Double pushbutton, without Switching element

## Double-Break

A mechanism which breaks the circuit at two points simultaneously

## Double-Throw/Changeover switch contact

Contact arrangement that alternately transfers normally open and normally closed circuits. Contact made of a combination of NO (Normally Open) and NC (Normally Closed) contacts, with 3 connections (Break-make contact)

## Electrical Life

Wear-resistant property of a switch under a specified electrical load, expressed in numbers of actuations. Expected cycle life when switch is operated at full rated load

## Element block

Unit with integrated function parts i.e. Lamp transformer

## EMC

Abbreviation for electromagnetic compatibility

## Emergency stop pushbutton actuator

Front parts of an Emergency stop button, without switching element

## Emergency stop pushbutton with key-release

For the switching off of current consumers, which could endanger persons, animals and property. Generally the activation surface is mushroom-shaped. Unlocking occurs by means of an insertable key into the Operation part

## Emergency stop pushbutton with twist-release

For the switching off of current consumers, which could endanger persons, animals and property. Generally the activation surface is mushroom-shaped. Unlocking occurs by twisting the Operation part. The Contact must automatically open the circuit

## Emergency switching element

Switching element with a guided NC contact

## EMI

Abbreviation for electromagnetic interference

## ESD strength

Static electric strength (kV) between operation part and conducting material of the Switchgear (contact, terminal)

## Fixing nut

For fastening the device in the front panel

## Flashing frequency

Pulses per time unit in Hz

## Flashing indicator

Indicator with integrated flashing device

## Flush mounting

Almost flush installation of the pushbutton in a front panel

## Foolproof (emergency stop pushbutton)

Protection against accidental actuation. Chance or intentional manipulation (inching operation) is impossible

## Forced opening

IEC 947-1 para. 2.4.10 => Opening movement which ensures that the contacts of a Switchgear have reached the "open position" if the operation part is in the OFF position

## Free Position

Initial position of an actuator when there is no external force applied on the actuator and the contacts are in the unoperated condition

## Frequency (sound)

Amplitude of oscillation of the sound of an acoustic signaller, expressed in Hz

## Front bezel set for flush mounting

Accessory part for "Flush mounting"

## Guided motion

Connection between Operation part and Contact, which has the effect of directly transmitting (without spring parts) the force exerted on the operation part on to the contact

## High Inrush

Loads that require more current when first turned on than needed to continue operation. Light bulbs exhibit high resistive inrush and may draw up to 10 times or more the normal operating current when first turned on. Motors may show high inductive inrush currents when started

## Illuminant

Light source for the illumination of the Lens or Indicator cap i.e. filament lamp, LED, neon lamp

## Illuminated pushbutton actuator

Front part of an illuminated pushbutton, without contacts

## Illuminated pushbutton maintained action

Pushbutton (maintained action) with integrated lampholder

## Illumination

The illumination of an indicator area or of the operating part of an illuminated pushbutton by means of an illuminating device (filament lamp, LED, neon lamp)

## Indicator

Light signal indicating a state by being illuminated or extinguished

## Indicator actuator

Front part of an Indicator without integrated lampholder

## Indicator cap

Transparent, also colored, cover for an Indicator

## Indicator element

Unit with integrated lampholder for mounting an Illuminant

## Insulation resistance

DIN EN 61058 T.1 (VDE 0630 T.1) para. 15.1 => Resistance (kOhm, MOhm) between the different poles of a switch (base insulation) and between all parts which are under electric tension and are associated with each other and a metal foil which is superimposed on the touchable metal parts which are in contact with the base insulation. Quality of nonconducting material to withstand a maximum voltage

## Insulation socket

Protection against contact of the live part of the blade terminal socket

## Interval frequency

Oscillations per time unit in Hz

## Keylock switch

Switch with a key as operation part

## Keylock switch actuator

Switch actuator (without contact) with a key as operation part

## Knob

Operation part for the activation of the Selector switch

## Lamp connection (technical component designation)

Designation of the Connection method (i.e. Screw terminal)

## Lamp element

Unit with integrated lampholder for the mounting of an illuminant

**Lamp transformer**

Voltage reduction of a control voltage to a lower voltage for the supply of an Illuminant (i.e: 230 VAC to 24 VAC )

**Leakage path**

IEC 947-1 para. 2.5.51, DIN EN 61058 T.1 (VDE 0630 T.1) para. 3.1.8 => Shortest distance (mm) along the surface of the insulation material between conducting parts or between an electrically conducting part and metal foil on the touchable surface made of insulating material

**Lens**

Operation part for the activation of the electrical Contact of a pushbutton

**Locking pushbutton actuator**

Pushbutton actuator (without contact), which is locked into a position by an additional pushing (i.e: maintained action)

**Low Level Switching element**

4-fold contact (slow-make element) for the switching of low currents and voltages with very high certainty of switching

**Maintained Action**

The circuit stays open or closed after switch actuation until the next time the switch is actuated

**Make-Before-Break**

When moving contacts complete one circuit before interrupting another. Also called shorting

**Mechanical service life**

Wear-resistant property of a switch without electrical load, expressed in number of actuations

**Membrane switching**

Switching system with one or more Contacts under a common foil (also designated as membrane keyboard)

**Momentary Action**

The circuit is opened or closed only as long as the switch is actuated (pulse)

**Mounting tool**

For simple mounting of a Switchgear or Indicator

**Mushroom-head cap**

Mushroom-shaped Operation part for the activation of an electrical contact

**NC - Normally Closed**

Contact, which is closed in the non-activated position, opens a circuit upon activation

**NO - Normally Open**

Contact, which is open in the non-activated position, closes a circuit upon activation

**Oil & Watertight Switches**

Switches with mechanisms that are sealed to withstand exposure to liquids. Usually are rated to indicate degree of sealing, i.e: NEMA or IP classifications

**Opaque**

Light-impervious, i.e: black or grey lens

**Open circuit**

Open circuit is contact lift-off or a result of low contact pressure

**Operating Position**

Position of the actuator at which the contact operates

**Operating temperature**

Permissible temperature range for the operation of a device

**Operating part**

DIN EN 61058 T.1 (VDE 0630 T.1) para. 3.4.3 => The part (lens, knob, etc.) of a hand-activated switchgear which is used for effecting the contact

**Overtravel**

Distance from operating position (actuation point) to the end of the actuator's travel

**Overvoltage category**

IEC 947-1 para. 2.5.19 => Reference number for overvoltages, i.e: by lightning effects or switching processes which can occur at the installation site. There is a classification into 4 grades

**Plug-in connection**

Connection of the electrical circuit by means of a plugging-in device (connector)

**Poles**

The number of separate circuits that can be active through a switch at any one time

**Pretravel**

Distance from free position to operating position

**Protection classes**

Measure for the protection of the electrical operating material against the penetration of solid bodies and of water, is expressed in IP and figures (DIN VDE 0470 T.1 / EN 60529). The 1st figure defines the solid-body protection, the 2nd figure the water protection

**Pushbutton**

Switchgear, that is generally activated by the finger and which initiates a switching

**Pushbutton actuator**

Front part of a Pushbutton without Switching element

**Pushbutton maintained action**

Switch with maintained action and spring resetting on renewed activation as well as a lens, which is generally activated with the finger

**Pushbutton momentary action**

Switch with spring resetting and a lens, which is generally activated with the finger

**Push-Pull illuminated button**

Switch with an Operation part, which is activated by pressing and returns to its initial position by pulling, or vice-versa

**Quick Make/Break contacts**

Used with D.C. circuits to suppress arcing

**Rated constant current**

IEC 947-1 para. 4.3.2.4 => Current (A) which a device can conduct in continuous operation (weeks, months, years)

**Rated higher current**

IEC 947-1 para. 4.3.2.3 => The current (A) which a switchgear can conduct, taking into consideration Rated higher voltage, operating period, service category and Ambient temperature

**Rated higher voltage**

IEC 947-1 para. 4.3.1.1 => Voltage (V) to which the characteristic value of a switchgear is associated. The highest rated higher voltage may not be higher than the Rated insulation voltage

**Rated insulation voltage**

IEC 947-1 para. 4.3.1.2 => The voltage, (V, kV), to which insulation tests and Leakage paths are related. The highest Rated higher voltage may not be greater than the rated insulation voltage

**Rated surge voltage resistance**

IEC 947-1 para. 4.3.1.3 => Measurement for the strength in the interior of switchgear with regard to rated surge voltage resistance (kV)

**Rebound time**

The rebound time for a Contact, which closes/opens its circuit, is the time interval between the first closing/opening and the final closing/opening

**Release Position**

Position of momentary actuator at which contact resumes normal position

**Resistance element**

Ohmic resistor in an element block

**Resistance to vibration**

Property of a Switchgear to withstand undulating movements without a change of operating state and without damage

**Resistor-diode element**

Combination of blocking diodes and resistor in an element block

**Safety class**

DIN EN 61058 T.1 (VDE 0630 T.1) para. 3.7.6 ff => Designates a classification of Switchgear, in which protection against electric shock is based on the base insulation (i.e: Safety class 0)



## Safety low-voltage

DIN EN 61058 T.1 (VDE 0630 T.1) para. 3.2.2 => A voltage (V) not greater than 50 V (effective) between the electrical conductors or between any conductor and earth in a circuit isolated from the main supply

## Screw terminal

Connection of the electrical circuit by means of a screw device

## Selector switch

Switch with a knob as operation part

## Selector switch actuator

Front part of a Selector switch, without Contacts

## Selector switch long lever

Switch with a long lever as operation part

## Service category

IEC 947-1 para. 2.1.18 / 4.4 => Combination of fixed requirements which have been chosen, when taking into consideration the operating conditions of a Switchgear, in order to meet the needs of a fundamental group of practical cases of application (i.e: AC 15)

## Shock resistance

Property of a switchgear to withstand impetus-type movements without change of operational state and without damage

## Short-circuit protection

Current value (A) of the fuse to be installed on the switchgear to protect it from short-circuit damage

## Short-travel switch

Pushbutton with small actuating travel (mm)

## Single-Break

Contact, in which a disconnection of the circuit is present. Mechanism that transfers one contact

## Slow Make/Break Contacts

Usually used with A.C. circuits, especially emergency stop switches

## Slow-make element

Switching element, in which the speed of the moving contacts is dependent on the activation speed

## Small contact opening width

DIN EN 61058 T.1 (VDE 0630 T.1) para. 3.4.6 => Minimum contact opening that is sufficient for reliable operation

## SMD, SMT

Abbreviations for surface mount device and surface mount technology, respectively

## Snap-action switching element

The rapid transfer of contacts from one spring loaded position to another. This action is essentially independent of actuator speed. Switching element, in which the speed of the moving contacts is essentially independent of the activation speed

## Solder heat resistance

Time and temperature unit for the connection of conductors to a solder connection of the Switchgear

## Soldering terminal (and similar)

DIN EN 61058 T.1 (VDE 0630 T.1) para. 3.6.14 => Electrically conducting part of a Switch, which has been provided to make a connection with the help of solder

## Soldering/Plug-in terminal (and similar)

Electrical connection of a circuit by means of soldered or plug-in terminals

## Sound pressure

Measure (dBA) for the volume, in relation to the distance of an acoustic signaller

## Spacer

For uniform clearance between front panel and PCB (Series 92)

## Spacing

Distance between electrically active parts of opposite polarity or to ground

## Spacing cap

For expansion of the clearance between Switching element (on PCBs) and front panel (series 70)

## Standard

Contains a number of stipulations for the definition i.e: of a regulation such as VDE

## Starting torque

Measurement (Nm) for the turning effect of a force (N) being applied to a turnable body (i.e: mounting nut)

## Stipulations

Components of a standard

## Storage temperature

Permissible temperature range (°C) for the storage of a device

## Switch

Device for the closing and opening of one or more circuits by activation of contacts

## Switch rating

Specification regarding Rated higher currents in dependency on a rated higher voltage

## Switch with small contact separation

Switch with a contact disconnection for small contact opening width

## Switchgear

Generic term for all Pushbuttons and Switches

## Switching element

Contains one or more Contacts, which are necessary for the opening or closing of a circuit (i.e: screw, spade, etc..)

## Switching element and diodes

Combination of Switching element and Diode element

## Tactile Feel

An indication, usually by touch, that indicates the operating position (actuation point) has been reached

## Terminal

The conductive part of a device, that has been provided for electrical connection to an external circuit (i.e: screw, spade, etc..)

## Terminal strip

Unit with several screw-type terminals for device connection i.e: with resistors

## Throw

Throw is a single movement, controlling one or more contacts

## Tool

Aid for assembling, disassembly of Switchgear or Indicators and their individual parts or accessories

## Translucent

Light-transmitting, diffuse material structure for uniform illumination by means of filament lamps

## Transparent

Light-transmitting, clear structure - recommended for the use of a film insert in a lens or for illumination by means of an LED

## Travel

Travel path of the Operation part until activation of the Contact, expressed in mm

## UL

Abbreviation for Underwriters Laboratories, a U.S. rating organization

## VDE

Abbreviation for the German Testing Agency, a German rating organization

## Volume resistivity

Resistance value (mostly in mOhm) between two connections, whose related Contacts in the closed state complete a circuit

## Wiping Contacts

Wiping action contacts slide against each other when opening or closing a circuit. This action helps clean the contacts of contamination and keeps contact resistance low

# Technical Information

Series Number:	14/31	51	03	04	18	22	61 snap-action
<b>Switch configuration</b>	1 Form Z double break element per contact block	1 Form Z double break element per contact block	1 or 2 double throw contacts 1 or 2 self cleaning snap action	Form A or Form B double break element	1 N.O or 1 N.C.	Max. 2 PST N.O or N.C.	Max. 3 PST N.O. or N.C.
<b>Mode</b>	Momentary or maintained, 1 to 4 poles	Momentary or maintained, 1 to 4 poles	Momentary or maintained, 1 or 2 poles	Momentary or maintained, 1 or 2 poles	Momentary or maintained	Momentary or maintained, 1 or 2 poles	Momentary or maintained, 1,2 or 3 poles
<b>Contact Material</b>	10 microns gold over silver or silver contacts	10 microns gold over silver or silver contacts	Silver standard, gold over silver or silver over palladium(opt.)	Silver standard, gold over silver or silver over palladium(opt.)	Gold on nickel plating	Hard silver	Silver or gold over silver
<b>Contact Resistance</b>	<50 mΩ	<50 mΩ		<50 mΩ in new state	<100 mΩ in new state	<=50 mΩ in new state	<=50 mΩ in new state
<b>Contact Bounce</b>	<5 ms	<50 ms		<=3 msec	<=2.5 msec	<=3 msec	<=1 msec
<b>Lens Travel</b>	0.118"(3mm)	0.118"(3mm)	0.196"(5mm)	0.228"(5.8mm)	0.087"(2.2mm)	0.216"(5.5mm)	0.118"(3mm)
<b>Operating Force (on lens) Force may vary depending on number of contacts</b>	Series 14: (3.5 to 5.5N) 350 to 550 grams Series 01/31 (2 to 5.5N) 200 to 550 grams	200-600 grams (4-6N)	600-1200 grams (6-12N)	1100-2000 grams (11-20N) snap action 1300-3600 grams (13-35N) slow make	140 grams (1.4N)	1 Pole: 360g±30g (3.6N±0.3N) 2 Pole: 680 g±30g (6.8N±0.3N)	270-360 grams (2.7-3.6N)
<b>Rating, AC</b>	250 V/5 A PF=1 250 V/3 A PF=0.3	250 V/5 A PF=1 250 V/3 A PF=0.3	380 V/10 A PF=0.3 UL listed: 250 V/10A	UL Listed: 600 V/10A HD SEV listed: 500 V/10A	100uV/10uA to 42 V/100 mA	400 VAC/10A PF=1 minimum 12 V AC/50mA	See Note (2)
<b>Rating, DC</b>	230 V/0.1A 24 V/2 A	230 V/0.1A 24 V/2 A	230 V/0.2A 24 V/6 A	230 V/0.5A 24 V/10A	100 uV/10uA to 42 V/100mA	380 V/10A 24 V/6 A inductive (L/R=30ms)	230 V/0.5A 24 V/6 A resistive
<b>Continuous Current</b>	5A	5A	10A	10A	100mA	10A	6A
<b>Mechanical Life</b>	Momentary: 2 million operations, Maintained: 1 million operations	Momentary: 5-million operations, Maintained: 1-million operations, Keylock: 50,000 operations	2-million, momentary, 1-million maintained	See Note (1)	momentary: >2million maintained: >1 million	2 million pushbutton, 40,000 keylock	2 million pushbutton, 50K keylock, 100K selector
<b>Maximum Insulation Voltage</b>	2500 VAC 50 Hz, 1 min.	2500 VAC 50 Hz, 1 min.	2500 VAC 50 Hz, 1min	5000 VAC 50 Hz, 1 min	2500 VAC 50 Hz, 1 min	2000 VAC 50 Hz, 1 min	2000 VAC 50 Hz, 1 min
<b>Terminals</b>	Solder terminals, gold plated and 0.110"Q.C. (solderable)	Solder terminals, gold plated and 0.110"Q.C. (solderable)	Screw terminals, silver plated. Option: Q.C. (solderable)	Screw terminals, silver plated, Option: Q.C.	Connector or solderable 1.6 x 0.4mm	Screw terminals, 0.250"Q.C.	Solder terminals, 0.110" Q.C. and universal plug-in (solderable)
<b>Operating Temperature</b>	-13 to 131°F (-25 to 55°C)	No lamp: -13 to 131°F(-25 to 55°C) Lamp: -13 to 113°F (-25 to 45°C)	No lamp: -13 to 122°F(-25 to 50°C) Lamp: -13 to 113°F (-25 to 45°C)	-13 to 185°F (-25 to 85°C)	-13 to 149°F (-25 to 65°C)	-13 to 185°F (-25 to 85°C)	-13 to 131°F (-25 to 55°C)
<b>Storage Temperature</b>	-40 to 185°F (-40 to 85°C)	-40 to 185°F (-40 to 85°C)	-40 to 185°F (-40 to 85°C)	-40 to 185°F (-40 to 85°C)	-40 to 176°F (-40 to 80°C)	-40 to 203°F (-40 to 95°C)	-40 to 185°F (-40 to 85°C)
<b>Vibration</b>	10g @ 10-2000 Hz amplitude 1.5 mm	10g @ 10-2000 Hz amplitude 1.5 mm	10g @ 10-500 Hz amplitude 1.0 mm	10g @ 10-2000 Hz amplitude 0.75 mm	10g @ 10-500 Hz amplitude .75 mm	10g @ 10-500 Hz amplitude .75 mm	10g @ 10-2000 to 10 Hz amplitude 0.75 mm
<b>Shock</b>	>15g @ 11 msec	>15g @ 11 msec	>15g @ 11 msec	>30g @ 11 msec	50g @ 11 msec	50g @ 11 msec	50g @ 11 msec

## 1 Mechanical life:

Pushbutton:	≥3 x 10 <sup>6</sup>
Lever:	≥2.5 x 10 <sup>6</sup>
Emergency stop:	≥5 x 10 <sup>4</sup>
Keylock:	≥5 x 10 <sup>4</sup>

## 2 Gold over silver contacts

minimum:	5 VAC/10mA
maximum:	250 VAC/6 A
<b>Silver contacts</b>	
minimum:	20 VAC/500mA
maximum:	250 VAC/6 A

## 3 Gold contacts

minimum:	100 micro V/10 milli A
maximum:	42 V/100mA
<b>Silver contacts</b>	
minimum:	20 VAC/10mA
maximum:	250 VAC/5 A

## Silver contacts (screw terminals)

minimum:	20 VAC/10mA
maximum:	250VAC/6 A

61 slow make	14/31/51	84	92	44	71	95	56	58	1K2
Max 2 PST N.O or N.C.	Max. 2 PST N.O or N.C. 4 bifurcated contacts	1 NO	1 NO	1NO/1NC or 2NO/2NC. One to 6 contacts can be used with front mount switches, 1 to 3 with rear mount	Self-cleaning, double-break, snap-action,	SPST			SPDT, change-over
Momentary or maintained 1,2,or 3 poles	Momentary or maintained	Momentary	Momentary	Momentary or maintained, 1 or 2 poles	Momentary or maintained supplied with one or two 1NO, 1NC contacts	Momentary			Maintained
Silver or gold	Gold-plated	Gold	Gold	Silver-nickel alloy	Gold-plated silver contacts	CuSn, Gold-plated, soldering terminal tinned			0.4 microns gold over nickle
<=50 mO in new state	<=50 mO in new state	<=100 mO in new state	<=100 mO in new state	<50 mO in new state	<50 mO				<22 mO
<=2 msec	<=100 usec	<=1 msec	<=1 msec		<1 ms				
Illuminated pushbutton: 3mm Emergency stop:10mm	0.118"(3mm)	See Note (4)	See Note (4)	0.236"(6mm)	0.118"(3mm)	0.177"(4.5mm)			
350-1100 grams (3.5-11N) Emergency stop: 3000-5000 grams (30-50N)	300-350 grams (3-3.5N)	See Note (5)	See Note (5)	<=5N per switching element, pushbutton actuator,<=10N, e-stop actuator,<=20N, fool-proof e-stop actuator, <=70N, double pushbutton, <=12N per contact	200-300 grams (2-3N), depending on number of contact elements	300 grams (3N) to end position			
See Note (3)	100 uA/10 uA to 42 V/100 mA	42 V/50mA maximum 50mV/10uA minimum	42 V/50mA maximum 50mV/10uA minimum	10A/660VAC	min: 5VAC/10mA, max: 250VAC/3A				
240 V/0.5A 24 V/6A resistive	100 uV/10uA to 42 V/100mA	42 V/50mA maximum 50mV/10 uA minimum	42 V/50mA maximum 50mV/10 uA minimum	24VDC/10A	250VDC/0.5A, 24VDC/3A	min1mVDC/ 100mA, max 48VDC/50mA			Nominal: 12V, Maximum: 24V, Minimum: 10mV
5A, screw terminals	100mA	50mA	50mA	10A					
Same as snap acting except 50000 emergency stop	Momentary: 5 million operations, Maintained: 1 million operations, Keylock: 50,000 operations	>=1-million operations	>=1-million operations	10-million operations, switching element 3-million operations, momentary actuator 1-million operations, maintained actuator	Illuminated pushbutton: 2-million cycles, keylock: 50000 cycles, Selector: 100000 cycles	>5-million operations			1000 operations
4000 VAC, 50 Hz, 1min	2500 VAC 50 Hz, 1 min	500 VAC 50 Hz, 1 min	500 VAC 50 Hz, 1 min		2500 VAC 50 Hz, 1min				
Universal (PCB, solder, quick connect, or screw)	Printed circuit board	Printed circuit board	Printed circuit board	Screw (recessed for safety)	PCB	PCB			PCB
-13 to 131°F (-25 to 55°C)	No lamp: -13 to 149°F (-25 to 65°C) Lamp: -13 to 113°F (-25 to 85°C)	-13 to 158°F (-25 to 70°C)	-13 to 158°F (-25 to 70°C)	-12 to 140°F (-25 to 60°C)	-12 to 131°F (-25 to 55°C)	-13 to 158°F (-25 to +70°C)			-40 to 185°F (-40 to +85°C)
-40 to 185°F (-40 to 85°C)	-40 to 185°F (-40 to 85°C)	-40 to 185°F (-40 to 85°C)	-40 to 185°F (-40 to 85°C)	-40 to 158°F (-40 to 70°C)	-40 to 185°F (-40 to 85°C)	-22 to 176°F (-40 to 80°C)			
10g @ 10-2000 to 10 Hz amplitude 0.75 mm		10g @ 10-500 Hz amplitude .75 mm	10g @ 10-2000 to 10 Hz amplitude 0.75 mm	5g @ 10-500 Hz	according to IEC 68-2-29 und 27, Eb 6-250-3000/3, Ea 18-300-18/3	10g @ 10-2000 Hz amplitude 0.75 mm			10g @ 10-500 Hz
50g @ 11 msec	15g @ 11 msec	max 100m/s2 @ 11msec	15g @ 11 msec	40g @ 6ms	according IEC 68-2-6, Ec 10/500-0.35/50-30/3	50g @ 11 msec			50g @ 11 msec

Contact factory  
Contact factory

#### 4 Lens travel

switch element: 0.020" (0.5mm)  
with actuator: 0.032" (0.8mm)

#### 5 Operating force

switch element: 200 grams (2 N)  
with actuator: 350 grams (3.5 N)

# Legends & Soldering

## Legend & Engraving Information

### Engraved Legends

Legends are engraved on the front surface of the lens cap and ink filled. Red, blue, green, black, and gray colored lens caps are filled with white ink. All other colors are filled with black ink.

Engraving type is condensed gothic, with standard 0.125" by 0.020" stroke.

### How to order Engraved Legends

Clearly identify legends requirement, as a separate item, using the following instructions:

Commas\* denote a separate line of engraving.

A slash\* denotes a separate lens section or division.

(\*When comma/slash are part of engraving, indicate by separate note.)






Example 1: Lens  
Part No. 01-901  
Engraving: READ, OUT



Example 2: Lens  
Part No. 03-902  
Engraving: BRIDGE, LIGHTS,  
ON/BRIDGE, LIGHTS, OFF



## Legend Arrangements

Series	Rectangular 			Vertical 			Round 			Square 			Split Rect. (R) Vert. (V) Sections 		
	Lens Part No.	Max. No. of Lines	Max No. of Letters	Lens Part No.	Max. No. of Lines	Max No. of Letters	Lens Part No.	Max. No. of Lines	Max No. of Letters	Lens Part No.	Max. No. of Lines	Max No. of Letters	Lens Part No.	Max. No. of Lines	Max No. of Letters
01	01-901	2	7	01-901	4	4	01-931	2	5	01-951	2	4			
02/22	02-901	3	10	02-901 02-902	4	7									
03	03-901 03-941	4	16	03-901 03-941	8	6							03-902 03-943	3	6
04							704-608.9 704-609.9	3 3	9 7	704-708.9 704-709.9	4 4	9 8			
14	See Series 04														
18, 19	Pushbuttons and indicators can be engraved. Please contact factory														
30	See Series 31														
31	31-901	3	8	31-901	4	5	31-931	2	5	31-951	3	5			
41	See Series 31														
													41-903 41-907	4 2	3(R) 5(V)
51	51-901	3	8	51-901	4	5	51-931	2	5	51-951	3	5			
61 Std. Overhang Lens	61-923.1	3	8	61-923.1	4	5	61-9211	2	5	61-922.1	3	5	(Large Sq, 61-925.1, 3 lines, 7 letters)		
	61-928.1	3	9	61-928.1	4	6					3	6			
92										See Note 1	2	6			
99	99-963	3	16							99-908	3	6			
	99-968	3	25												

Note 1: Use part number 92-956 or 92-958 with standard IP 40 units; part number 92-941 with IP 67 sealed units.

## Soldering Instructions

Correct soldering techniques are important to the reliable operation of EAO switches.

### Hand Soldering

#### Soldering Temperature

A soldering iron with a temperature controlled tip is recommended, if not available, do not use a soldering iron that is rated more than 15-20 watts. In any circumstance, the iron must never exceed 662°F (350°C). Soldering of a terminal should not exceed 3 seconds. Excess heat or time will damage switch contacts or draw flux into contact area.

#### Use of flux

EAO recommends elimination of flux entirely. However, if flux is preferred, use only a small amount. Terminals are gold plated or have Optalloy, assuring easy soldering.

#### Caution

Use of solvents to clean flux from solder joints may cause contact contamination by leaving flux residues on the contact. The switch element plastic material will not be affected by leaving residues of flux. If a solvent must be used, isopropyl alcohol is recommended.



The EAO standard product range features 8, 16, 22.5 and 30mm illuminated pushbuttons, indicators, rotary switches, keylocks, selector switches, emergency stops and buzzers, keyboards and keypads, plus PCB-mounted switches.

EAO's mission is to deliver quality and reliability to its people, products and processes. With this objective in mind, EAO has developed a 5 step customer solution management process delivering full consultation, application-engineering, production, logistics and after sales service.



On the next two pages you will find a product selector, that enables search criteria to be defined by:

- Mounting hole size
- Contact terminals
- Number of keys
- Illumination
- Front protection (IP Rating)
- Lens cap
- Mounting style
- Marking
- Switch Rating
- Application
- Product function
- Approvals



# Product Selector

Product Series																				
1K2																				
AVME Keypads																				
S.series Keypads																				
TSK.series Keyboards																				
W.series Keypads																				
W.series Keyboards																				
Series 95																				
Series 84																				
Series 71																				
Series 61																				
Series 58																				
Series 56																				
Series 51																				
Series 44																				
Series 31																				
Series 22																				
Series 17																				
Series 14																				
Series 04																				
Series 03																				
Product Series																				
<b>Mounting hole size</b>																				
6mm																				
8mm																				
16mm																				
22.5mm																				
30.5mm																				
Rectangular, square, other sizes																				
<b>Number of Keys</b>																				
1 x 4																				
3 x 4																				
4 x 4																				
63 keys																				
65 keys																				
74 keys																				
105 keys																				
<b>Front Protection</b>																				
IP40																				
IP65																				
IP67																				
<b>Mounting style</b>																				
Panel mounting, with bezel																				
Flush mounting																				
PCB																				
Other																				
<b>Switch rating</b>																				
42VAC (100mA)																				
250VAC (5A)																				
400VAC (10A)																				
500VAC (10A)																				
For DC value see series technical data																				
<b>Function</b>																				
Indicator / Pilot Light																				
Pushbuttons																				
Illuminated pushbuttons																				
Double illuminated pushbuttons																				
Door-operating pushbuttons																				
Double sided door-operating pushbuttons																				
Emergency pushbuttons, twist to unlock																				
Emergency pushbuttons, key to unlock																				
Emergency pushbuttons, illuminated																				
Mushroom-head pushbuttons																				
Illuminated mushroom-head pushbuttons																				
Keylock switches 2 positions																				





	<b>EAO AG</b> Tannwaldstrasse 88 4601 Olten, Switzerland
<b>E-mail</b>	info@eao.com
<b>Website</b>	www.eao.com
	<b>Austria</b>
Phone	+49/201 85 87 0
E-mail	sales.ede@eao.com
	<b>Belgium</b>
Phone	+32/3 777 82 36
E-mail	sales.ebl@eao.com
	<b>China</b>
Phone	+852/27 86 91 41
E-mail	sales.ehk@eao.com.hk
	<b>France</b>
Phone	+33/1 64 43 37 37
E-mail	sales.esa@eao.com
	<b>Germany</b>
Phone	+49/201 85 87 0
E-mail	sales.ede@eao.com
	<b>Japan</b>
Phone	+81/3 5401 0953
E-mail	sales.esj@eao.com
	<b>Netherlands</b>
Phone	+31/78 653 17 00
E-mail	sales.enl@eao.com
	<b>Sweden</b>
Phone	+46/8 683 86 60
E-mail	sales.esw@eao.com
	<b>Switzerland</b>
Phone	+41/62 388 95 00
E-mail	sales.ech@eao.com
	<b>United Kingdom</b>
Phone	+44/1444 236000
E-mail	sales.euk@eao.com
	<b>USA</b>
Phone	+1/203 877 4577
E-mail	sales.eus@eao.com
	<b>Other Countries</b>
Fax	+41/62 296 21 62
E-mail	info@eao.com
Website	www.eao.com