

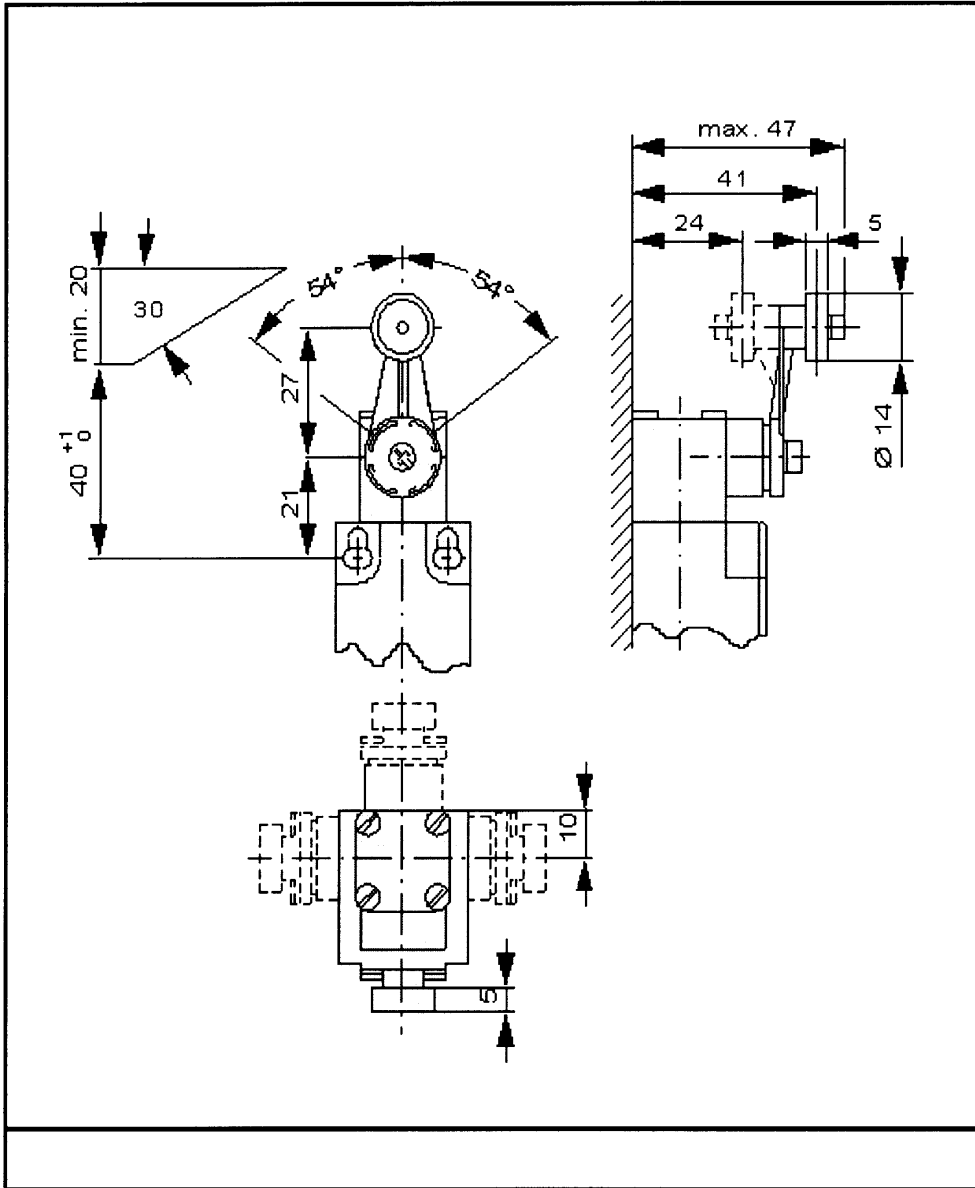
► Back

### Product Information

☐ Dimension drawing    ☐ Characteristics    ■ Details

3890  
20 5393

R-AT0



© 2000 by Moeller GmbH