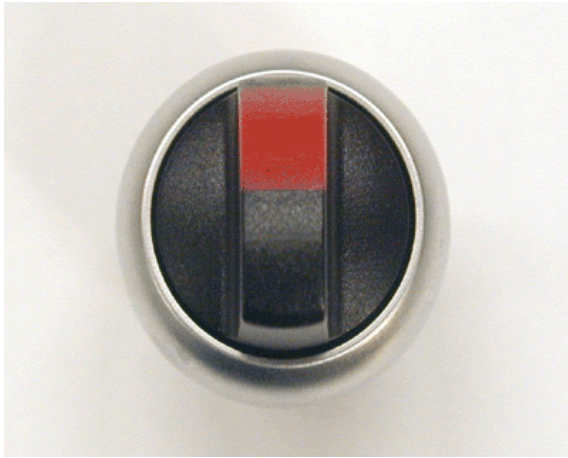


Type: **M22-WRLK-B**
 Article No.: **216831**



Stay-put/spring return function, encodable with M22-XC-Y

Ordering information

Front ring			Front ring: titanium
Description			2 positions
Function:			Stay-put60°
Colour			Blue
Protection type			IP66

Colour



Notes concerning the product group

Front ring gold-plated, → 274150

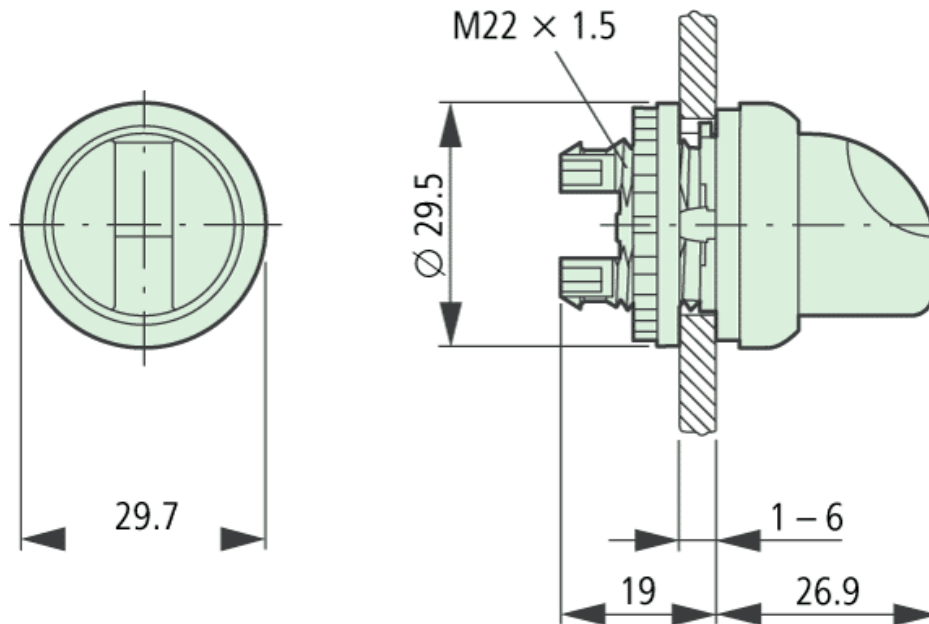
General

Standards			IEC/EN 60947 VDE 0660
Lifespan, mechanical	Operations	× 10 ⁶	> 0,1
Operating frequency	Operations/h		2000
Operating torque		Nm	0,3
Protection type			IP66
Climatic proofing			Damp heat, constant, to IEC 60068-2-78 Damp heat, cyclic, to IEC 60068-2-30

Ambient temperature			
Open		°C	-25/70
Mounting position			As required
Mechanical shock resistance, shock duration 11 ms		g	> 30

Dimensions

Dimensions



Moeller GmbH, Hein-Moeller-Str. 7-11, D-53115 Bonn
 E-Mail: catalog@moeller.net, Internet: www.moeller.net, <http://catalog.moeller.net>
 Copyright 2006 by Moeller GmbH. Subject to modifications. HPL-C2006GB-INT V2.3