

Type: **M22-L-G**
 Article No.: **216773**



Ordering information

| | | | |
|-----------------|--|--|-------------|
| Colour | | | Green |
| Design | | | Flush |
| Protection type | | | IP67, IP69K |

Colour



Notes concerning the product group

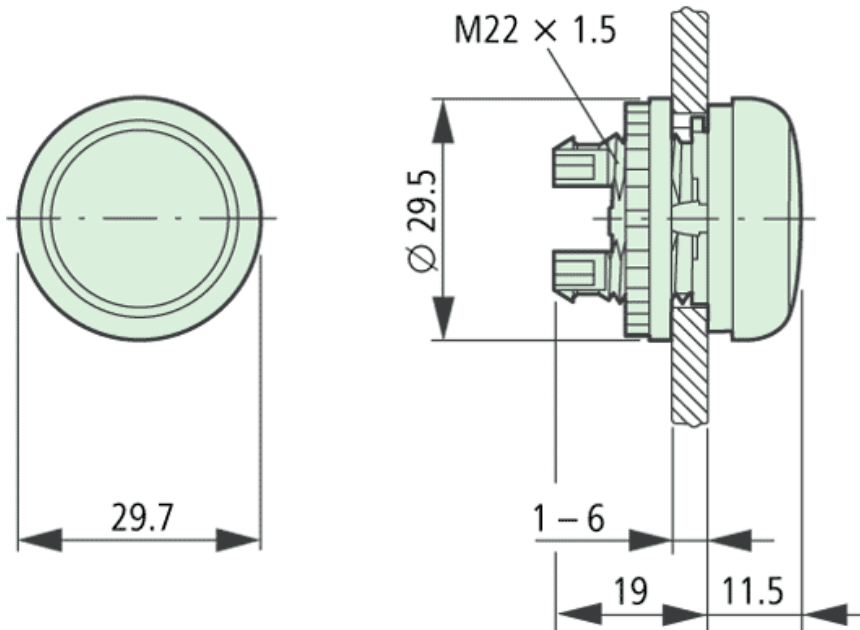
Front ring gold-plated, → 274150

General

| | | | |
|---|--|----|--|
| Standards | | | IEC/EN 60947 VDE 0660 |
| Degree of protection, IEC/EN 60529 | | | IP67, IP69K |
| Climatic proofing | | | Damp heat, constant, to IEC 60068-2-78 Damp heat, cyclic, to IEC 60068-2-30 |
| Ambient temperature | | | |
| Open | | °C | -25/70 |
| Mounting position | | | As required |
| Mechanical shock resistance according to IEC 60068-2-27 Shock duration 11 ms, half-sinusoidal | | g | > 30 |
| Terminal capacities | | | |

| | | | |
|---------------------------------------|-----------|-----------------|-----------|
| Solid | | mm ² | 0.5 – 1.5 |
| Stranded | | mm ² | 0.5 – 1.5 |
| Contacts | | | |
| Rated impulse withstand voltage | U_{imp} | V AC | 4000 |
| Rated insulation voltage | U_i | V | 2500 |
| Overvoltage category/pollution degree | | | III/3 |
| Dimensions | | | |

Dimensions



Moeller GmbH, Hein-Moeller-Str. 7-11, D-53115 Bonn
 E-Mail: catalog@moeller.net, Internet: www.moeller.net, <http://catalog.moeller.net>
 Copyright 2006 by Moeller GmbH. Subject to modifications. HPL-C2006GB-INT V2.3