

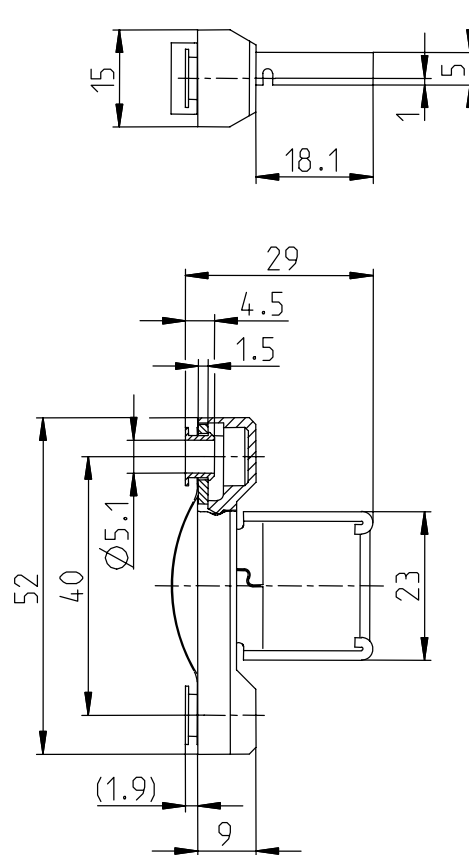
Technical Data

Actuator

Series SK

Description **SK-Bet.M4 kpl. m.Kap.**

Article number **3911452116**



Materials

Actuator	Stainless steel
Cap	Thermoplastic PA
Minimum actuating radius	R _{min} 150 mm

This document will not become the contractual basis; the details included herein do not constitute any descriptions of expected conditions, so that warranties/claims for defects on account of possible variations of the actual qualities from the qualities described herein are explicitly excluded. All rights reserved. Specifications subject to change without notice!

Date of issue: 15.02.2007 / Page 1 of 1
 Document : 3911452116_en / Last update: 1 / 2083-07