

MICRO SWITCH

A DIVISION OF MINNEAPOLIS-HONEYWELL REGULATOR COMPANY
 FREEPORT, ILLINOIS

FED. MFR. CODE 91929

ACTUATOR - SWITCH

CATALOG LISTING

JS-87

(M) JS-87
 ISSUE 2

JS-87

M

DRAWING NUMBER

ISSUE

5

REPLACES

SR 8276

CHECK

14 OCT 58

CHECK

17 MAY 80

CHECK

7 MAR 95

CHECK

1 JUN 59

CHECK

28 MAY 59

CHECK

28 MAY 59

CHECK

28 MAY 59

CHECK

28 MAY 59

CHECK

28 MAY 59

CHECK

28 MAY 59

CHECK

28 MAY 59

CHECK

28 MAY 59

CHECK

28 MAY 59

CHECK

28 MAY 59

CHECK

28 MAY 59

CHECK

28 MAY 59

CHECK

28 MAY 59

CHECK

28 MAY 59

CHECK

28 MAY 59

CHECK

28 MAY 59

CHECK

28 MAY 59

CHECK

28 MAY 59

CHECK

28 MAY 59

CHECK

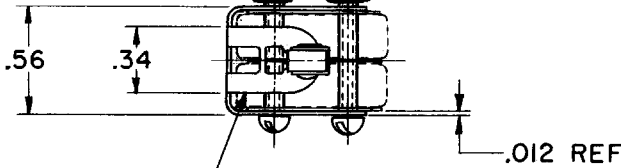
28 MAY 59

CHECK

2-56 NC X .688 REF ROUND HEAD MACHINE SCREW (2) \triangle

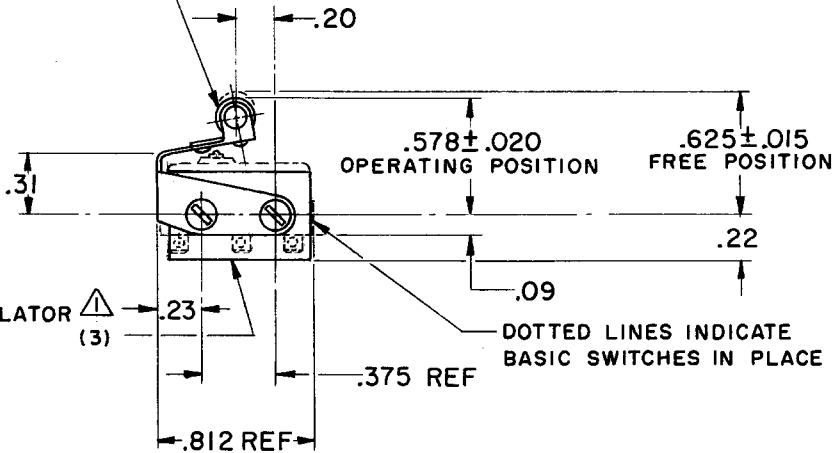
2-56 NC HEX NUT (2) \triangle

LOCKWASHER (2) \triangle



CORROSION RESISTANT STEEL ACTUATOR

.19 DIA X .12 WIDE CORROSION RESISTANT STEEL ROLLER (CONCENTRICITY .005 T I R)



FLEXIBLE INSULATOR (3) \triangle

DOTTED LINES INDICATE BASIC SWITCHES IN PLACE

NOTE - \triangle - FURNISHED UNASSEMBLED

THIS DRAWING COVERS A PROPRIETARY ITEM AND IS THE PROPERTY OF MICRO SWITCH, A DIVISION OF MINNEAPOLIS-HONEYWELL REGULATOR CO. THIS DRAWING IS NOT TO BE COPIED OR USED WITHOUT THE APPROVAL OF MICRO SWITCH.

CHARACTERISTICS WITH ISMI BASIC SWITCH INSTALLED

OPERATING FORCE-----1.5 LB MAX
 RELEASE FORCE-----2 OZ MIN
 PRETRAVEL-----.078 MAX

ELECTRICAL DATA

CONTACT ARRANGEMENT BREAK DISTANCE

SCALE FULL

DO NOT SCALE PRINT

UNLESS OTHERWISE SPECIFIED DIMENSIONS ARE IN INCHES
TOLERANCES ARE:

ONE PLACE (.0) ±.030
 TWO PLACE (.00) ±.015
 THREE PLACE (.000) ±.005
 ANGLES ±

WEIGHT

FO-50378

DRAWN

RE R

28 MAY 59

CHECK