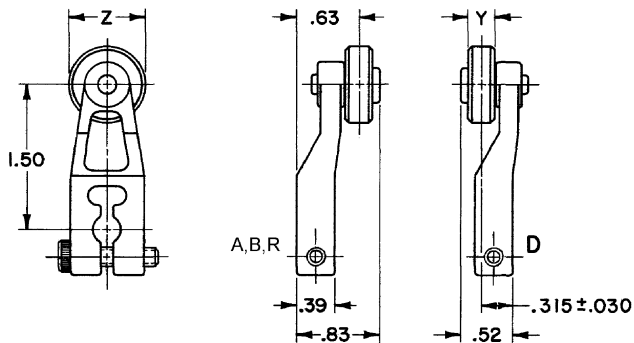
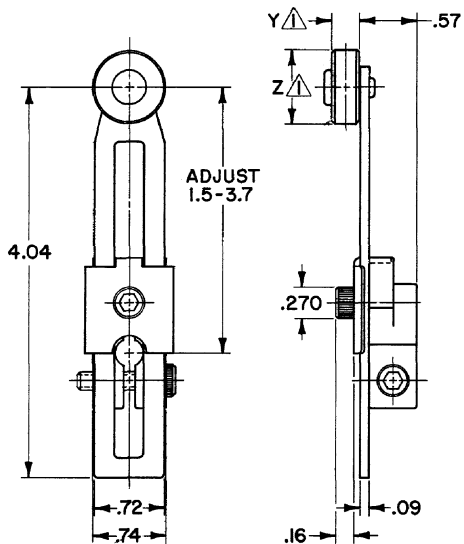


LEVERS FOR ROTARY LIMIT SWITCHES



CATALOG LISTING	ROLLER	Z DIA.	Y WIDTH
LS2Z51A	NYLON	.750	.500
LS2Z51B	STAINLESS STEEL	.750	.250
LS2Z51D	STAINLESS STEEL	.750	.250
LS2Z51R	NYLON	1.59	.250

LEVERS FOR ROTARY LIMIT SWITCHES

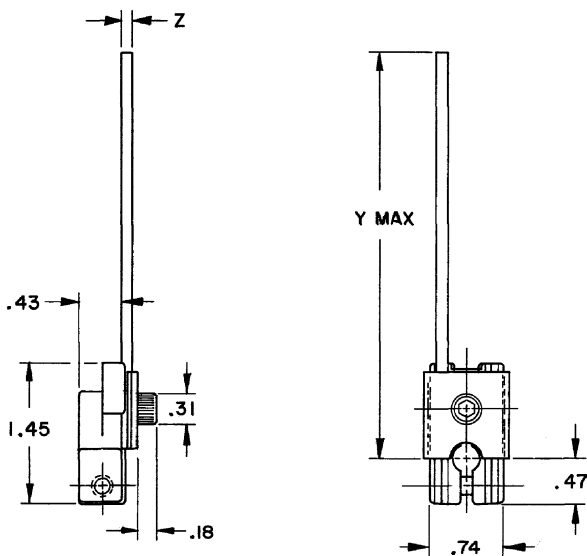
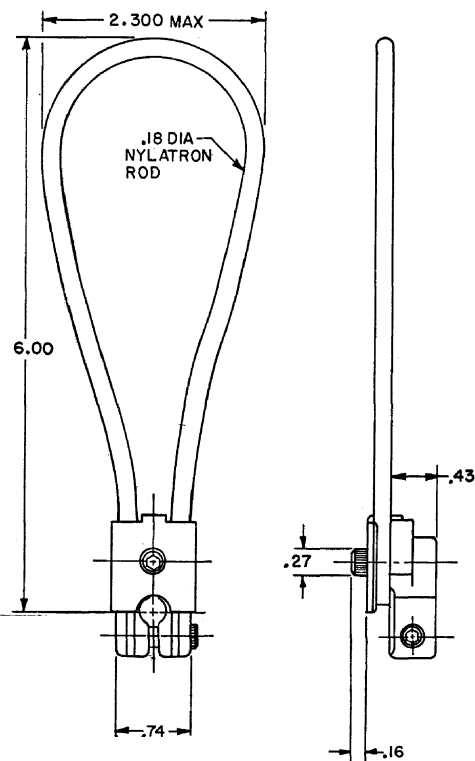


CATALOG LISTING	ROLLER	Z DIA.	Y WIDTH
LS2Z52B	STAINLESS STEEL	.750	.250
LS2Z52D	STAINLESS STEEL	.750	.250
LS2Z52A	NYLON	.750	.250

NOTES
 ⚠ ROLLER ON OPPOSITE SIDE OF LEVER

CATALOG LISTING	Z DIA	Y LENGTH
LS2Z54N	.125	13.0
LS2Z54	0	0

LS2Z 61 LEVER



MASTER REDUCED

MICRO SWITCH
 FREEPORT ILLINOIS U.S.A.
 A DIVISION OF HONEYWELL

SWITCH-ENCLOSED

LS2Z SERIES
 CHART 1

DESIGN LIMITS

SCALE FULL

DO NOT SCALE PRINT

TOLERANCES

FINISHES

WEIGHT