

MICRO SWITCH

A DIVISION OF MINNEAPOLIS-HONEYWELL REGULATOR COMPANY
FREEPORT, ILLINOIS

FED. MFR. CODE 91929

ACTUATOR-SWITCH

CATALOG LISTING

JE-5

FAA-PMA

(M) JE-5
ISSUE 5

REPLACES

RELEASE NO.

JE-5
PAGE 1 OF 1

M

DRAWING NUMBER

ISSUE 10

REVISIONS

A	NEW DRAWING	KLB	21 OCT 59	19 NOV 98	CHECK
B	CO47771	CJH	MAY 80	19 NOV 98	CHECK
C	CO 61293	WJM	14 APR 87	19 NOV 98	CHECK
D	CO74078	LJF	25 NOV 92	19 NOV 98	CHECK
E	CO79303	DLT	2 MAR 95	19 NOV 98	CHECK
F	CO-93498	MPO	19 NOV 98	19 NOV 98	CHECK
G	205138	S A V	14 MAR 02	19 NOV 98	CHECK

CHECK

JAF

CHECK

CHECK

21 OCT 59

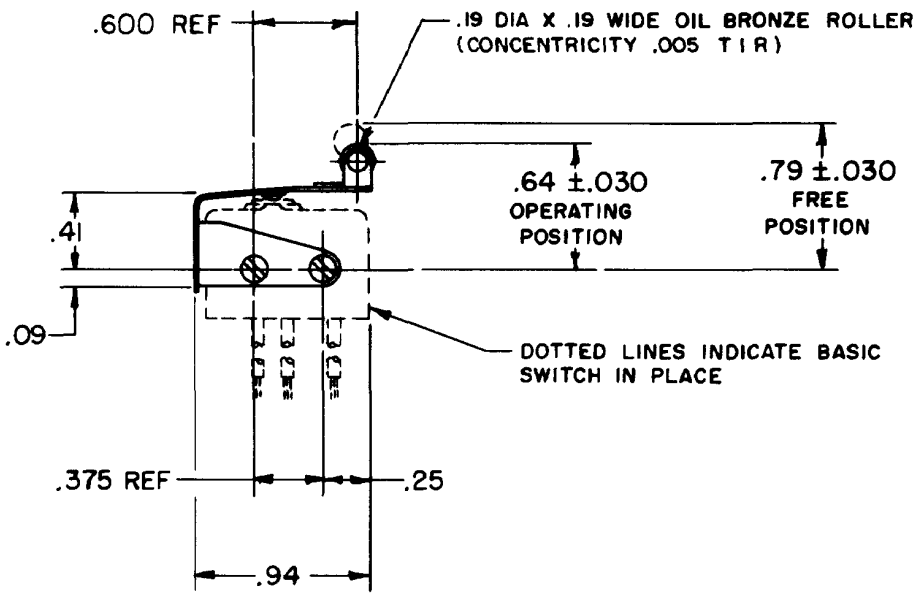
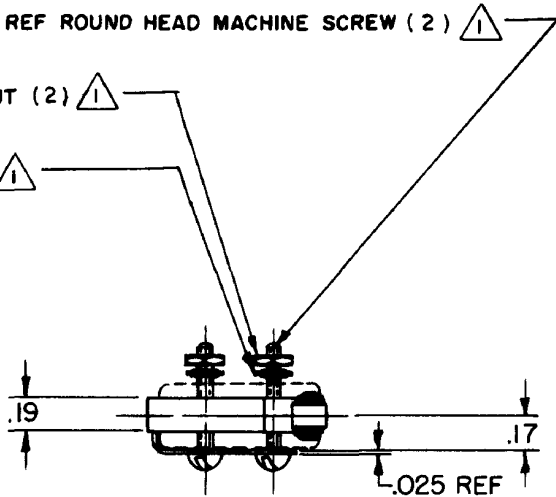
K L B

FO-80378

2 - 56 NC X .625 REF ROUND HEAD MACHINE SCREW (2) \triangle

2 - 56 NC HEX NUT (2) \triangle

LOCKWASHER (2) \triangle



NOTE \triangle - FURNISHED UNASSEMBLED

THIS DRAWING COVERS A PROPRIETARY ITEM AND IS THE PROPERTY OF MICRO SWITCH, A DIVISION OF MINNEAPOLIS-HONEYWELL REGULATOR CO. THIS DRAWING IS NOT TO BE COPIED OR USED WITHOUT THE APPROVAL OF MICRO SWITCH

CHARACTERISTICS (WITH ISEI BASIC SWITCH INSTALLED)

OPERATING FORCE	-----12 OZ MAX
RELEASE FORCE	-----2 OZ MIN
DIFFERENTIAL TRAVEL	-----.025 MAX
OVERTRAVEL	-----.015 MIN

ELECTRICAL DATA

CONTACT ARRANGEMENT	BREAK DISTANCE
---------------------	----------------

SCALE FULL

DO NOT SCALE PRINT

UNLESS OTHERWISE SPECIFIED
DIMENSIONS ARE IN INCHES

TOLERANCES ARE:

ONE PLACE	(.0)	±.030
TWO PLACE	(.00)	±.015
THREE PLACE	(.000)	±.005
ANGLES		±

WEIGHT